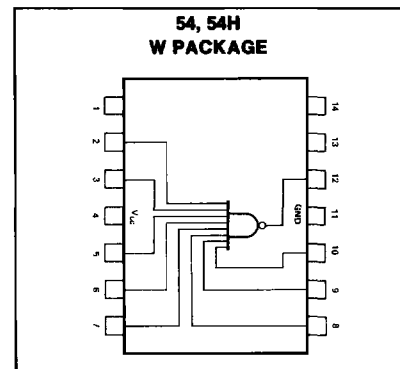
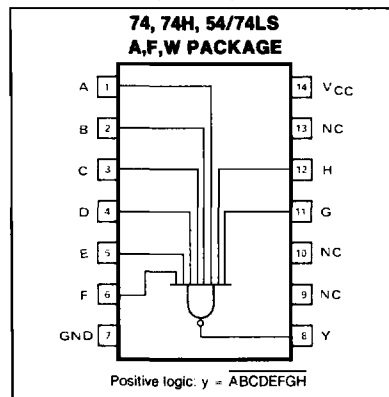


SPEED/PACKAGE AVAILABILITY

54	F,W	74	A,F
54H	F,W	74H	A,F
54LS	F,W	74LS	A,F

PIN CONFIGURATION



SWITCHING CHARACTERISTICS $V_{CC} = 5V, T_A = 25^\circ C$

TEST CONDITIONS	54/74			54/74H			54/74LS			UNIT
	$C_L = 15pF$ $R_L = 400\Omega$			$C_L = 25pF$ $R_L = 280\Omega$			$C_L = 15pF$ $R_L = 2k\Omega$			
PARAMETER	MIN	TYP	MAX	MIN	TYP	MAX	MIN	TYP	MAX	UNIT
Propagation delay time t_{PLH} Low-to-high		13	22		6.8	10		5	15	ns
t_{PHL} High-to-low		8	15		8.9	12		9	20	ns

Load circuit and typical waveforms are shown at the front of section.

SPEED/PACKAGE AVAILABILITY

54	F,W	74	A,F
54LS	F,W	74LS	A,F

SWITCHING CHARACTERISTICS $V_{CC} = 5V, T_A = 25^\circ C$

TEST CONDITIONS	54/74			54/74LS			UNIT
	$C_L = 15pF$ $R_L = 400\Omega$			$C_L = 15pF$ $R_L = 2k\Omega$			
PARAMETER	MIN	TYP	MAX	MIN	TYP	MAX	UNIT
Propagation delay time t_{PLH} Low-to-high		10	15		9	22	ns
t_{PHL} High-to-low		14	22		9	22	ns

Load circuit and typical waveforms are shown at the front of section.

PIN CONFIGURATION

