

## Radiation Hardened 8 Channel CMOS Analog Multiplexer with Overvoltage Protection

The HS-508BRH is a dielectrically isolated, radiation hardened, CMOS analog multiplexer incorporating an important feature; it withstands analog input voltages much greater than the supplies. This is essential in any system where the analog inputs originate outside the equipment. They can withstand a continuous input up to 10V greater than either supply, which eliminates the possibility of damage when supplies are off, but input signals are present. Equally important, it can withstand brief input transient spikes of several hundred volts; which otherwise would require complex external protection networks. Necessarily, ON resistance is somewhat higher than similar unprotected devices, but very low leakage current combine to produce low errors. Reference Application Notes 520 and 521 for further information on the HS-508BRH multiplexer in general.

The HS-508BRH has been specifically designed to meet exposure to radiation environments. Operation from -55°C to +125°C is guaranteed.

## Features

- Electrically Screened to SMD # 5962-96742
- QML Qualified per MIL-PRF-38535 Requirements
- Radiation Environment
  - Gamma Dose ( $\gamma$ ) . . . . .  $3 \times 10^5$  Rad (Si)
  - Dielectrically Isolated Device Islands
  - SEP >100 Mev-mg/cm<sup>2</sup>
- Analog/Digital Overvoltage Protection
- ESD Rated to 3kV
- Fail Safe with Power Loss (No Latchup)
- Break-Before-Make Switching
- (Typ) DTL/TTL and CMOS Compatible Threshold
- Analog Signal Range . . . . .  $\pm 15V$
- Fast Access Time
- Supply Current at 1MHz Address Toggle . . . . . 4mA (Typ)
- Standby Power . . . . . 7.5mW (Typ)
- Pb-Free (RoHS Compliant)

**Specifications for Rad Hard QML devices are controlled by the Defense Supply Center in Columbus (DSCC). The SMD numbers listed here must be used when ordering.**

**Detailed Electrical Specifications for these devices are contained in SMD 5962-96742. A “hot-link” is provided on our homepage for downloading.**

[www.intersil.com/spacedefense/newsafclasst.asp](http://www.intersil.com/spacedefense/newsafclasst.asp)

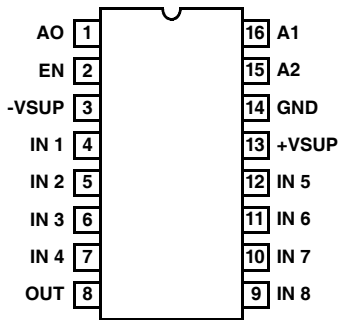
## Ordering Information

ORDERING NUMBER (Note)	INTERNAL MKT. NUMBER	PART MARKING	TEMP. RANGE (°C)	PACKAGE (Pb-Free)	PKG. DWG.
5962F9674202QEC	HS1-508BRH-8	Q 5962F96 74202QEC	-55 to +125	16 Ld SBDIP	D16.3
5962F9674202QXC	HS9-508BRH-8	Q 5962F96 74202QXC	-55 to +125	16 Ld FLATPACK	K16.A
5962F9674202VEC	HS1-508BRH-Q	Q 5962F96 74202VEC	-55 to +125	16 Ld SBDIP	D16.3
5962F9674202VXC	HS9-508BRH-Q	Q 5962F96 74202VXC	-55 to +125	16 Ld FLATPACK	K16.A
HS1-508BRH/PROTO	HS1-508BRH/PROTO	HS1- 508BRH /PROTO	-55 to +125	16 Ld SBDIP	D16.3
HS9-508BRH/PROTO	HS9-508BRH/PROTO	HS9- 508BRH /PROTO	-55 to +125	16 Ld FLATPACK	K16.A

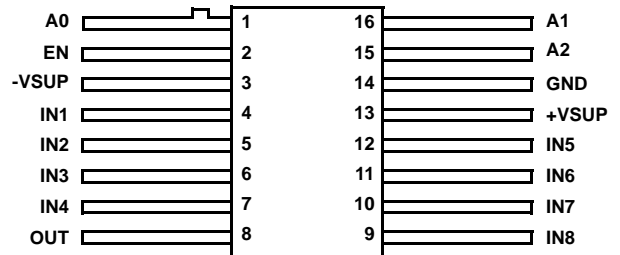
NOTE: These Intersil Pb-free Hermetic packaged products employ 100% Au plate - e4 termination finish, which is RoHS compliant and compatible with both SnPb and Pb-free soldering operations.

Pinouts

HS-508BRH  
(16 LD SIDEBRAZE DIP)  
MIL-STD-1835, CDIP2-T16  
TOP VIEW



HS9-508BRH  
(16 LD FLATPACK)  
MIL-STD-1835, CDFP4-F16  
TOP VIEW



Functional Diagram

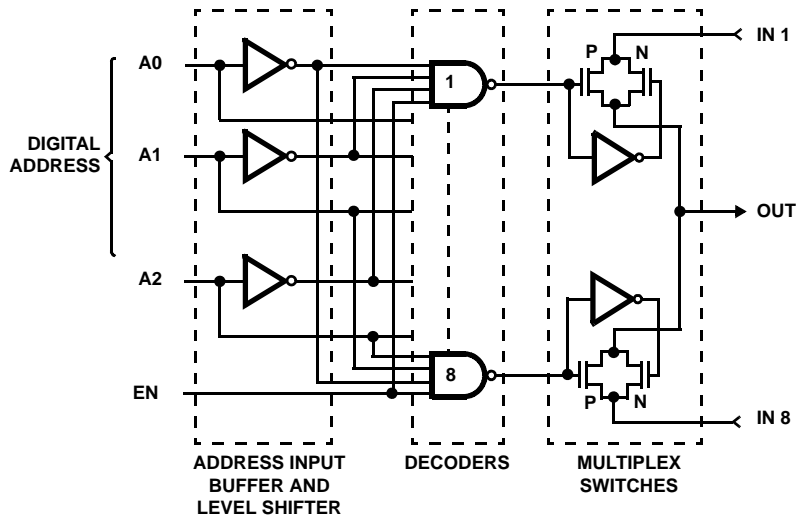


TABLE 1. TRUTH TABLE

A2	A1	A0	EN	"ON" CHANNEL
X	X	X	L	NONE
L	L	L	H	1
L	L	H	H	2
L	H	L	H	3
L	H	H	H	4
H	L	L	H	5
H	L	H	H	6
H	H	L	H	7
H	H	H	H	8

# HS-508BRH

## Die Characteristics

### DIE DIMENSIONS

120 mils x 93 mils x 19 mils

### INTERFACE MATERIALS

#### Glassivation

Type: Phosphorus Silicon Glass (PSG)

Thickness:  $8k\text{\AA} \pm 1k\text{\AA}$

#### Top Metallization

Type: AlSiCu

Thickness:  $16k\text{\AA} \pm 2k\text{\AA}$

#### Substrate

Rad Hard Silicon Gate

Dielectric Isolation

### Backside Finish

Silicon

### ASSEMBLY RELATED INFORMATION

#### Substrate Potential

Unbiased (DI)

### ADDITIONAL INFORMATION

#### Worst Case Current Density

$6.68e04 \text{ A/cm}^2$

#### Transistor Count

506

## Metallization Mask Layout

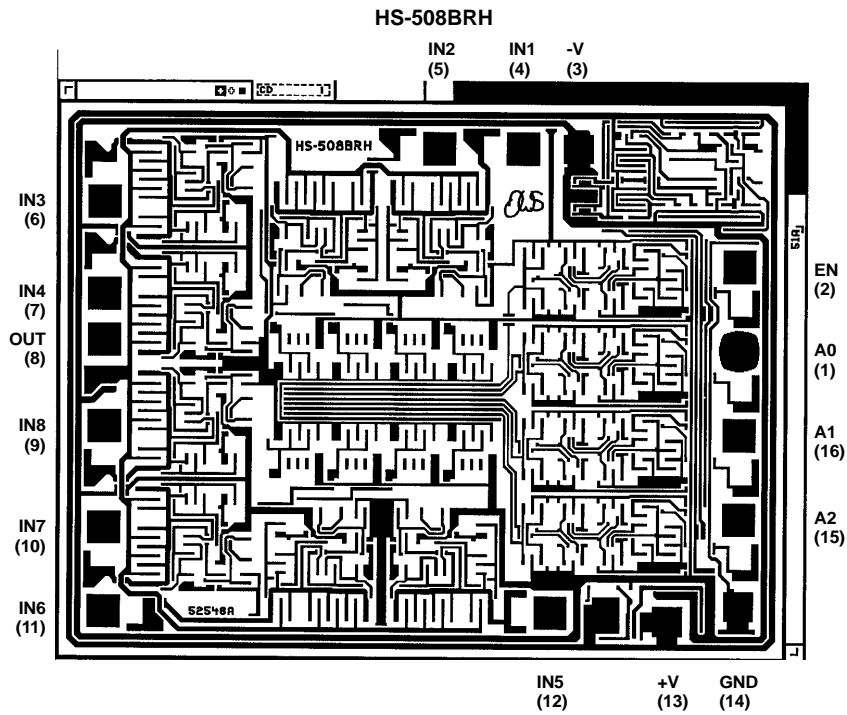


TABLE 2. HS-508BRH PAD COORDINATES

PIN NUMBER	PAD NAME	RELATIVE TO PIN 1	
		X COORDINATES	Y COORDINATES
1	A0	0	0
2	EN	-342	0
3	V-	-818	-653
4	IN1	-818	-879
5	IN2	-818	-1221
6	IN3	-598	-2579
7	IN4	-224	-2579
8	OUT	-38	-2579

## HS-508BRH

TABLE 2. HS-508BRH PAD COORDINATES (Continued)

PIN NUMBER	PAD NAME	RELATIVE TO PIN 1	
		X COORDINATES	Y COORDINATES
9	IN8	314	-2579
10	IN7	724	-2579
11	IN6	1066	-2579
12	-IN5	1066	-761
13	V+	1100	-287
14	GND	1038	0
15	A2	684	0
16	A1	342	0

NOTE: Dimensions in microns

All Intersil U.S. products are manufactured, assembled and tested utilizing ISO9000 quality systems.  
Intersil Corporation's quality certifications can be viewed at [www.intersil.com/design/quality](http://www.intersil.com/design/quality)

*Intersil products are sold by description only. Intersil Corporation reserves the right to make changes in circuit design, software and/or specifications at any time without notice. Accordingly, the reader is cautioned to verify that data sheets are current before placing orders. Information furnished by Intersil is believed to be accurate and reliable. However, no responsibility is assumed by Intersil or its subsidiaries for its use; nor for any infringements of patents or other rights of third parties which may result from its use. No license is granted by implication or otherwise under any patent or patent rights of Intersil or its subsidiaries.*

For information regarding Intersil Corporation and its products, see [www.intersil.com](http://www.intersil.com)