

54F/74F259 8-Bit Addressable Latch

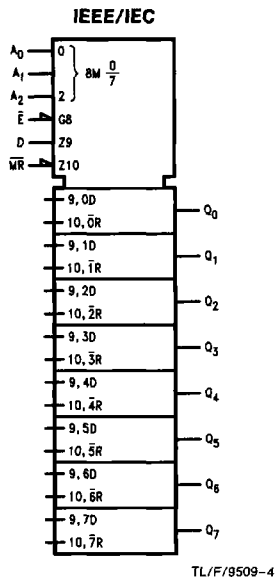
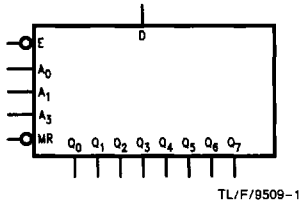
General Description

The 'F259 is a high-speed 8-bit addressable latch designed for general purpose storage applications in digital systems. It is a multifunctional device capable of storing single line data in eight addressable latches, and also a 1-of-8 decoder and demultiplexer with active HIGH outputs. The device also incorporates an active LOW Common Clear for resetting all latches, as well as an active LOW Enable. It is functionally identical to the 9334 and 93L34 8-bit addressable latch.

Features

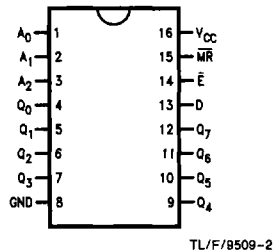
- Serial-to-serial conversion
- Eight bits of storage with output of each bit available
- Random (addressable) data entry
- Active high demultiplexing or decoding capability
- Common clear

Logic Symbols

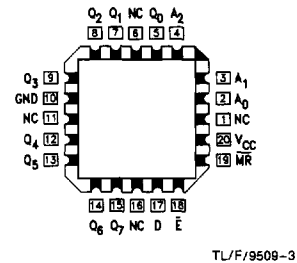


Connection Diagrams

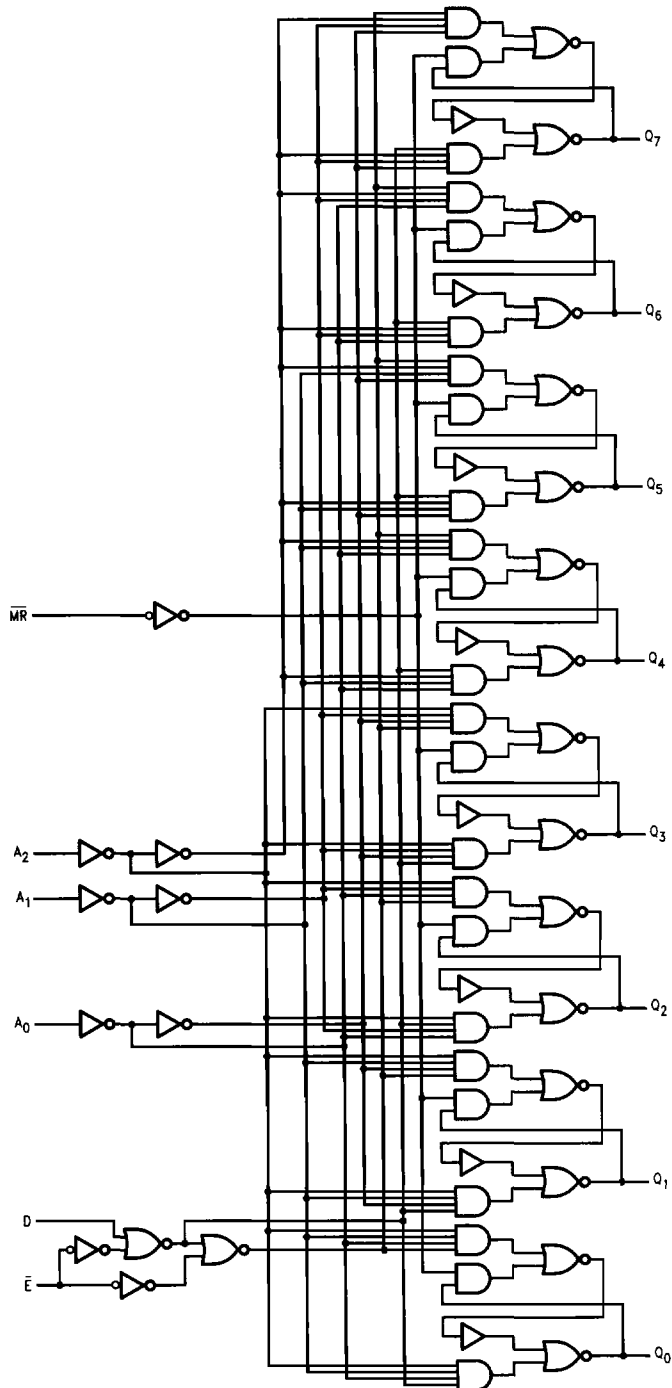
**Pin Assignment for
DIP, SOIC and Flatpak**



**Pin Assignment
for LCC and PCC**



Logic Diagram



TL/F/9509-5

Please note that this diagram is provided only for the understanding of logic operations and should not be used to estimate propagation delays.