



BAS70xW

DIODE

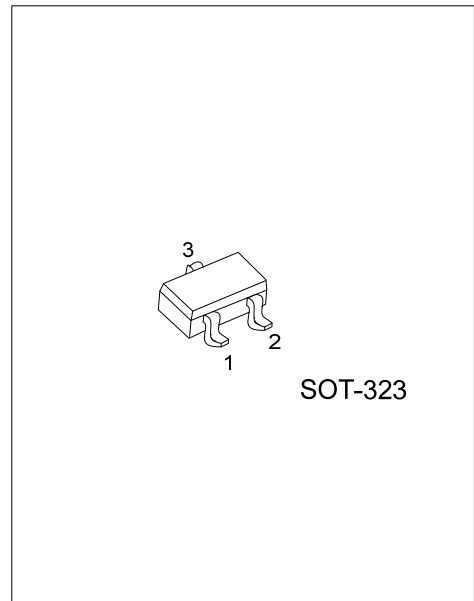
SCHOTTKY BARRIER DIODES

DESCRIPTION

Planar Schottky barrier diodes encapsulated in the SOT-323 small plastic SMD package. Single diode and dual diodes with different pin configuration are available.

FEATURES

- * Low Turn-on voltage
- * Fast switching
- * Ultra-small surface mount package
- * Also available in lead free version



ORDERING INFORMATION

Ordering Number		Package	Pin Assignment			Packing
Lead Free	Halogen Free		1	2	3	
BAS70WL-AL3-R	BAS70WG-AL3-R	SOT-323	A	NC	K	Tape Reel
BAS70AWL-AL3-R	BAS70AWG-AL3-R	SOT-323	K2	K1	A1A2	Tape Reel
BAS70CWL-AL3-R	BAS70CWG-AL3-R	SOT-323	A2	A1	K1K2	Tape Reel
BAS70SWL-AL3-R	BAS70SWG-AL3-R	SOT-323	A2	K1	K1A2	Tape Reel

Note: Pin Assignment: A: Anode K: Cathode NC: No Connection

<p>BAS70xWG-AL3-R</p> <p>(1) Packing Type (2) Package Type (3) Green Package (4) Diode Configuration</p>	<p>(1) R: Tape Reel (2) AL3: SOT-323 (3) G: Halogen Free and Lead Free, L: Lead Free (4) x: refer to DIODE CONFIGURATION AND SYMBOL</p>
--	---

DIODE CONFIGURATION AND SYMBOL

BAS70W	BAS70AW	BAS70CW	BAS70SW

MARKING

BAS70W	BAS70AW	BAS70CW	BAS70SW
<p>G: Halogen Free L: Lead Free</p>	<p>G: Halogen Free L: Lead Free</p>	<p>G: Halogen Free L: Lead Free</p>	<p>G: Halogen Free L: Lead Free</p>

■ ABSOLUTE MAXIMUM RATINGS ($T_A=25^{\circ}\text{C}$, unless otherwise specified)

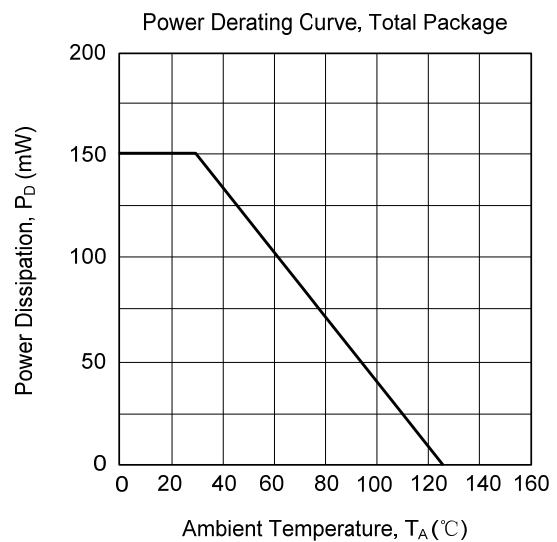
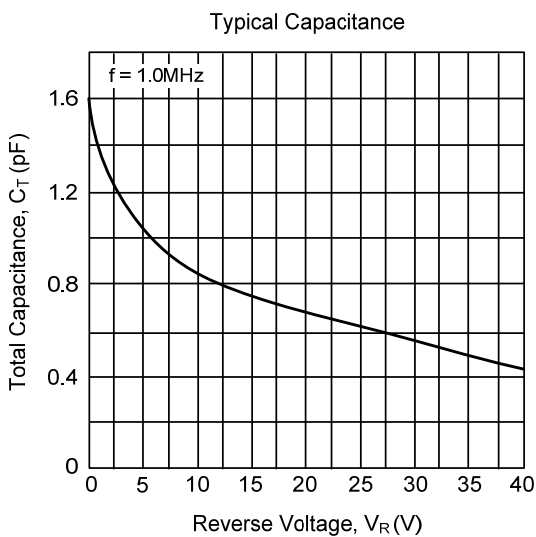
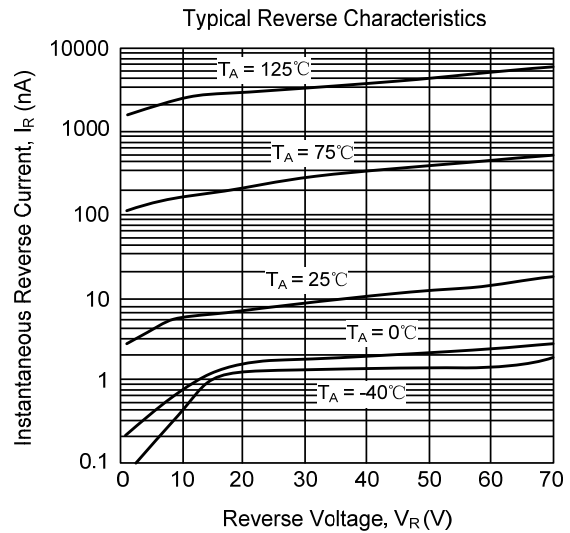
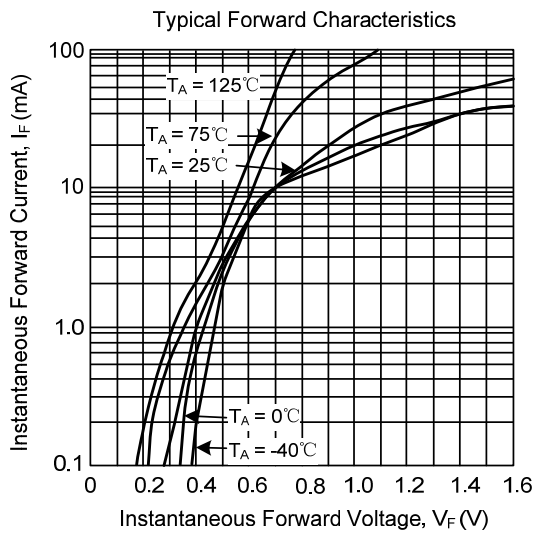
PARAMETER	SYMBOL	RATINGS	UNITS
DC Voltage	V_R	70	V
Forward Continuous Current	I_F	70	mA
Power Dissipation	P_D	150	mW
Junction Temperature	T_J	-55 ~ +150	$^{\circ}\text{C}$
Storage Temperature	T_{STG}	-55 ~ +150	$^{\circ}\text{C}$

Note Absolute maximum ratings are those values beyond which the device could be permanently damaged. Absolute maximum ratings are stress ratings only and functional device operation is not implied.

■ ELECTRICAL CHARACTERISTICS ($T_A=25^{\circ}\text{C}$, unless otherwise specified)

PARAMETER	SYMBOL	TEST CONDITIONS	MIN	TYP	MAX	UNIT
Reverse Breakdown Voltage	BV_R	$I_R=10\mu\text{A}$	70			V
Reverse Voltage Leakage Current	I_R	$V_R=50\text{V}$			200	nA
Forward Voltage	V_F	$I_F=1\text{mA}$			410	mV
		$I_F=15\text{mA}$			1000	mV
Diode Capacitance	C_D	$V_R=0\text{V}$, $f=1\text{MHz}$			2	pF
Reveres Recovery Time	t_{RR}	$I_F=I_R=10\text{mA}$, $I_{RR}=0.1I_R$, $R_L=100\Omega$			5	nS

■ TYPICAL CHARACTERISTICS



UTC assumes no responsibility for equipment failures that result from using products at values that exceed, even momentarily, rated values (such as maximum ratings, operating condition ranges, or other parameters) listed in products specifications of any and all UTC products described or contained herein. UTC products are not designed for use in life support appliances, devices or systems where malfunction of these products can be reasonably expected to result in personal injury. Reproduction in whole or in part is prohibited without the prior written consent of the copyright owner. UTC reserves the right to make changes to information published in this document, including without limitation specifications and product descriptions, at any time and without notice. This document supersedes and replaces all information supplied prior to the publication hereof.