

54AC157 • 54ACT157 Quad 2-Input Multiplexer

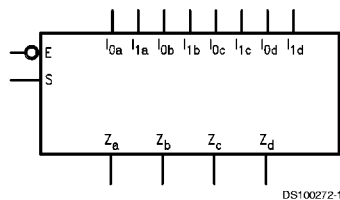
General Description

The 'AC/'ACT157 is a high-speed quad 2-input multiplexer. Four bits of data from two sources can be selected using the common Select and Enable inputs. The four outputs present the selected data in the true (noninverted) form. The 'AC/'ACT157 can also be used as a function generator.

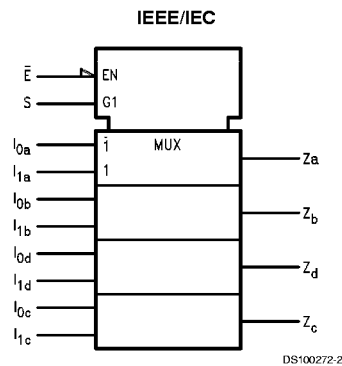
Features

- I_{CC} and I_{OZ} reduced by 50%
- Outputs source/sink 24 mA
- 'ACT157 has TTL-compatible inputs
- Standard Microcircuit Drawing (SMD)
 - 'AC157: 5962-89539
 - 'ACT157: 5962-89688

Logic Symbols



DS100272-1

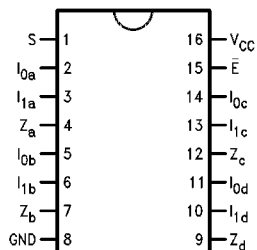


DS100272-2

| Pin Names | Description |
|-----------------|----------------------|
| $I_{0a}-I_{0d}$ | Source 0 Data Inputs |
| $I_{1a}-I_{1d}$ | Source 1 Data Inputs |
| \bar{E} | Enable Input |
| S | Select Input |
| Z_a-Z_d | Outputs |

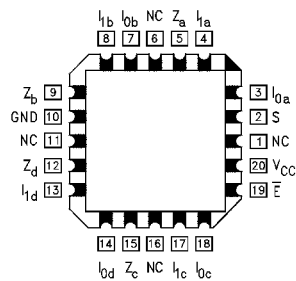
Connection Diagrams

Pin Assignment
for DIP and Flatpak



DS100272-3

Pin Assignment
for LCC



DS100272-4

FACT™ is a trademark of Fairchild Semiconductor Corporation.

Functional Description

The 'AC/ACT157 is a quad 2-input multiplexer. It selects four bits of data from two sources under the control of a common Select input (S). The Enable input (\bar{E}) is active-LOW. When \bar{E} is HIGH, all of the outputs (Z) are forced LOW regardless of all other inputs. The 'AC/ACT157 is the logic implementation of a 4-pole, 2-position switch where the position of the switch is determined by the logic levels supplied to the Select input. The logic equations for the outputs are shown below:

$$Z_a = \bar{E} \cdot (I_{1a} \cdot S + I_{0a} \cdot \bar{S})$$

$$Z_b = \bar{E} \cdot (I_{1b} \cdot S + I_{0b} \cdot \bar{S})$$

$$Z_c = \bar{E} \cdot (I_{1c} \cdot S + I_{0c} \cdot \bar{S})$$

$$Z_d = \bar{E} \cdot (I_{1d} \cdot S + I_{0d} \cdot \bar{S})$$

A common use of the 'AC/ACT157 is the moving of data from two groups of registers to four common output busses. The particular register from which the data comes is determined by the state of the Select input. A less obvious use is as a function generator. The 'AC/ACT157 can generate any four

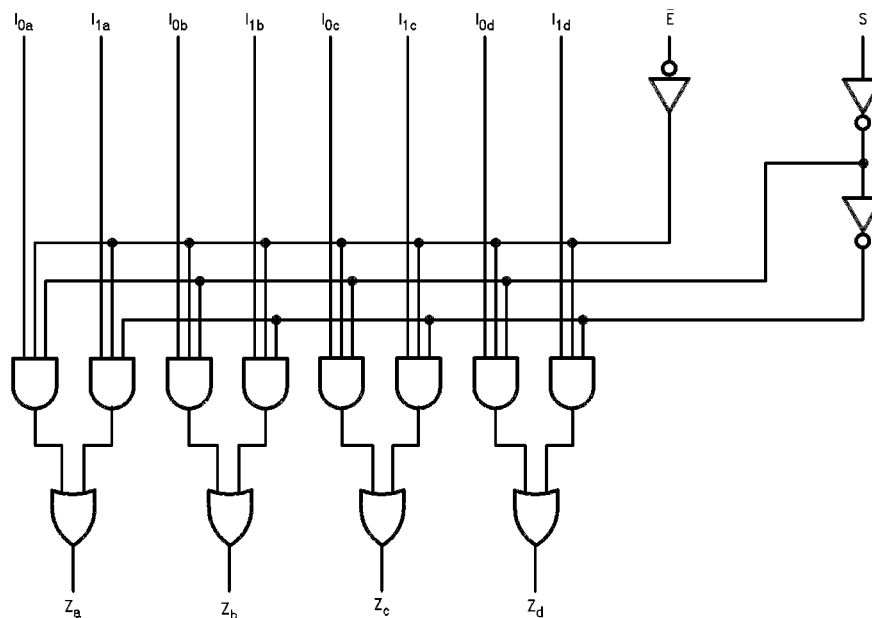
of the sixteen different functions of two variables with one variable common. This is useful for implementing gating functions.

Truth Table

| Inputs | | | | Outputs |
|-----------|---|-------|-------|---------|
| \bar{E} | S | I_0 | I_1 | Z |
| H | X | X | X | L |
| L | H | X | L | L |
| L | H | X | H | H |
| L | L | L | X | L |
| L | L | H | X | H |

H = HIGH Voltage Level
L = LOW Voltage Level
X = Immaterial

Logic Diagram



DS100272-5

Please note that this diagram is provided only for the understanding of logic operations and should not be used to estimate propagation delays.

Absolute Maximum Ratings (Note 1)

If Military/Aerospace specified devices are required, please contact the National Semiconductor Sales Office/Distributors for availability and specifications.

| | |
|--|--------------------------|
| Supply Voltage (V_{CC}) | -0.5V to +7.0V |
| DC Input Diode Current (I_{IK}) | |
| $V_I = -0.5V$ | -20 mA |
| $V_I = V_{CC} + 0.5V$ | +20 mA |
| DC Input Voltage (V_I) | -0.5V to $V_{CC} + 0.5V$ |
| DC Output Diode Current (I_{OK}) | |
| $V_O = -0.5V$ | -20 mA |
| $V_O = V_{CC} + 0.5V$ | +20 mA |
| DC Output Voltage (V_O) | -0.5V to $V_{CC} + 0.5V$ |
| DC Output Source or Sink Current (I_O) | ±50 mA |
| DC V_{CC} or Ground Current per Output Pin (I_{CC} or I_{GND}) | ±50 mA |
| Storage Temperature (T_{STG}) | -65°C to +150°C |
| Junction Temperature (T_J) | |
| CDIP | 175°C |

Recommended Operating Conditions

| | |
|---|-----------------|
| Supply Voltage (V_{CC}) | |
| 'AC | 2.0V to 6.0V |
| 'ACT | 4.5V to 5.5V |
| Input Voltage (V_I) | 0V to V_{CC} |
| Output Voltage (V_O) | 0V to V_{CC} |
| Operating Temperature (T_A) | |
| 54AC/ACT | -55°C to +125°C |
| Minimum Input Edge Rate ($\Delta V/\Delta t$) | |
| 'AC Devices | |
| V_{IN} from 30% to 70% of V_{CC} | |
| V_{CC} @ 3.3V, 4.5V, 5.5V | 125 mV/ns |
| Minimum Input Edge Rate ($\Delta V/\Delta t$) | |
| 'ACT Devices | |
| V_{IN} from 0.8V to 2.0V | |
| V_{CC} @ 4.5V, 5.5V | 125 mV/ns |

Note 1: Absolute maximum ratings are those values beyond which damage to the device may occur. The databook specifications should be met, without exception, to ensure that the system design is reliable over its power supply, temperature, and output/input loading variables. National does not recommend operation of FACT™ circuits outside databook specifications.

DC Characteristics for 'AC Family Devices

| Symbol | Parameter | V_{CC} (V) | 54AC | Units | Conditions |
|-----------|--|-----------------|----------------------------|-------|--|
| | | | $T_A =$ -55°C to +125°C | | |
| | | | Guaranteed Limits | | |
| V_{IH} | Minimum High Level Input Voltage | 3.0 | 2.1 | V | $V_{OUT} = 0.1V$ or $V_{CC} - 0.1V$ |
| | | 4.5 | 3.15 | | |
| | | 5.5 | 3.85 | | |
| V_{IL} | Maximum Low Level Input Voltage | 3.0 | 0.9 | V | $V_{OUT} = 0.1V$ or $V_{CC} - 0.1V$ |
| | | 4.5 | 1.35 | | |
| | | 5.5 | 1.65 | | |
| V_{OH} | Minimum High Level Output Voltage | 3.0 | 2.9 | V | $I_{OUT} = -50 \mu A$ |
| | | 4.5 | 4.4 | | |
| | | 5.5 | 5.4 | | |
| V_{OL} | Maximum Low Level Output Voltage | 3.0 | 2.4 | V | (Note 2) $V_{IN} = V_{IL}$ or V_{IH} $I_{OH} = -12 \text{ mA}$ $I_{OH} = -24 \text{ mA}$ $I_{OH} = -24 \text{ mA}$ |
| | | 4.5 | 3.7 | | |
| | | 5.5 | 4.7 | | |
| V_{OL} | Maximum Low Level Output Voltage | 3.0 | 0.1 | V | $I_{OUT} = 50 \mu A$ |
| | | 4.5 | 0.1 | | |
| | | 5.5 | 0.1 | | |
| V_{OL} | Maximum Low Level Output Voltage | 3.0 | 0.50 | V | (Note 2) $V_{IN} = V_{IL}$ or V_{IH} $I_{OL} = 12 \text{ mA}$ $I_{OL} = 24 \text{ mA}$ $I_{OL} = 24 \text{ mA}$ |
| | | 4.5 | 0.50 | | |
| | | 5.5 | 0.50 | | |
| I_{IN} | Maximum Input Leakage Current | 5.5 | ±1.0 | µA | $V_I = V_{CC}, GND$ |
| I_{OLD} | Minimum Dynamic Output Current (Note 3) | 5.5 | 50 | mA | $V_{OLD} = 1.65V \text{ Max}$ |
| I_{OHD} | | 5.5 | -50 | mA | $V_{OHD} = 3.85V \text{ Min}$ |

DC Characteristics for 'AC Family Devices (Continued)

| Symbol | Parameter | V _{CC} (V) | 54AC | Units | Conditions |
|-----------------|----------------------------------|------------------------|-------------------------------------|-------|---|
| | | | T _A = -55°C to +125°C | | |
| | | | Guaranteed Limits | | |
| I _{CC} | Maximum Quiescent Supply Current | 5.5 | 80.0 | μA | V _{IN} = V _{CC} or GND |

Note 2: All outputs loaded; thresholds on input associated with output under test.

Note 3: Maximum test duration 2.0 ms, one output loaded at a time.

Note 4: I_{IN} and I_{CC} @ 3.0V are guaranteed to be less than or equal to the respective limit @ 5.5V V_{CC}.
I_{CC} for 54AC @ 25°C is identical to 74AC @ 25°C.

DC Characteristics for 'ACT Family Devices

| Symbol | Parameter | V _{CC} (V) | 54ACT | Units | Conditions |
|--------------------|-----------------------------------|------------------------|-------------------------------------|-------|--|
| | | | T _A = -55°C to +125°C | | |
| | | | Guaranteed Limits | | |
| V _{IH} | Minimum High Level Input Voltage | 4.5 | 2.0 | V | V _{OUT} = 0.1V or V _{CC} - 0.1V |
| | | 5.5 | 2.0 | | |
| V _{IL} | Maximum Low Level Input Voltage | 4.5 | 0.8 | V | V _{OUT} = 0.1V or V _{CC} - 0.1V |
| | | 5.5 | 0.8 | | |
| V _{OH} | Minimum High Level Output Voltage | 4.5 | 4.4 | V | I _{OUT} = -50 μA |
| | | 5.5 | 5.4 | | |
| | | 4.5 | 3.70 | V | (Note 5) V _{IN} = V _{IL} or V _{IH} I _{OH} = -24 mA I _{OH} = -24 mA |
| | | 5.5 | 4.70 | | |
| V _{OL} | Maximum Low Level Output Voltage | 4.5 | 0.1 | V | I _{OUT} = 50 μA |
| | | 5.5 | 0.1 | | |
| | | 4.5 | 0.50 | V | (Note 5) V _{IN} = V _{IL} or V _{IH} I _{OL} = 24 mA I _{OL} = 24 mA |
| | | 5.5 | 0.50 | | |
| I _{IN} | Maximum Input Leakage Current | 5.5 | ±1.0 | μA | V _I = V _{CC} , GND |
| I _{CC(T)} | Maximum I _{CC} /Input | 5.5 | 1.6 | mA | V _I = V _{CC} - 2.1V |
| I _{OLD} | Minimum Dynamic | 5.5 | 50 | mA | V _{OLD} = 1.65V Max |
| I _{OHD} | Output Current (Note 6) | 5.5 | -50 | mA | V _{OHD} = 3.85V Min |
| I _{CC} | Maximum Quiescent Supply Current | 5.5 | 80.0 | μA | V _{IN} = V _{CC} or GND |

Note 5: All outputs loaded; thresholds on input associated with output under test.

Note 6: Maximum test duration 2.0 ms, one output loaded at a time.

Note 7: I_{CC} for 54ACT @ 25°C is identical to 74ACT @ 25°C.

AC Electrical Characteristics

| Symbol | Parameter | V _{CC} (V) (Note 8) | 54AC | | Units |
|------------------|---|------------------------------------|---|------|-------|
| | | | T _A = -55° C to +125° C C _L = 50 pF | | |
| | | | Min | Max | |
| t _{PLH} | Propagation Delay S to Z _n | 3.3 | 1.0 | 16.0 | ns |
| | | 5.0 | 1.0 | 12.0 | |
| t _{PHL} | Propagation Delay S to Z _n | 3.3 | 1.0 | 14.0 | ns |
| | | 5.0 | 1.0 | 11.5 | |
| t _{PLH} | Propagation Delay Ē to Z _n | 3.3 | 1.0 | 16.0 | ns |
| | | 5.0 | 1.0 | 12.0 | |
| t _{PHL} | Propagation Delay Ē to Z _n | 3.3 | 1.0 | 14.0 | ns |
| | | 5.0 | 1.0 | 11.5 | |
| t _{PLH} | Propagation Delay I _n to Z _n | 3.3 | 1.0 | 11.0 | ns |
| | | 5.0 | 1.0 | 9.0 | |
| t _{PHL} | Propagation Delay I _n to Z _n | 3.3 | 1.0 | 11.0 | ns |
| | | 5.0 | 1.0 | 9.0 | |

Note 8: Voltage Range 3.3 is 3.3V ±0.3V
Voltage Range 5.0 is 5.0V ±0.5V

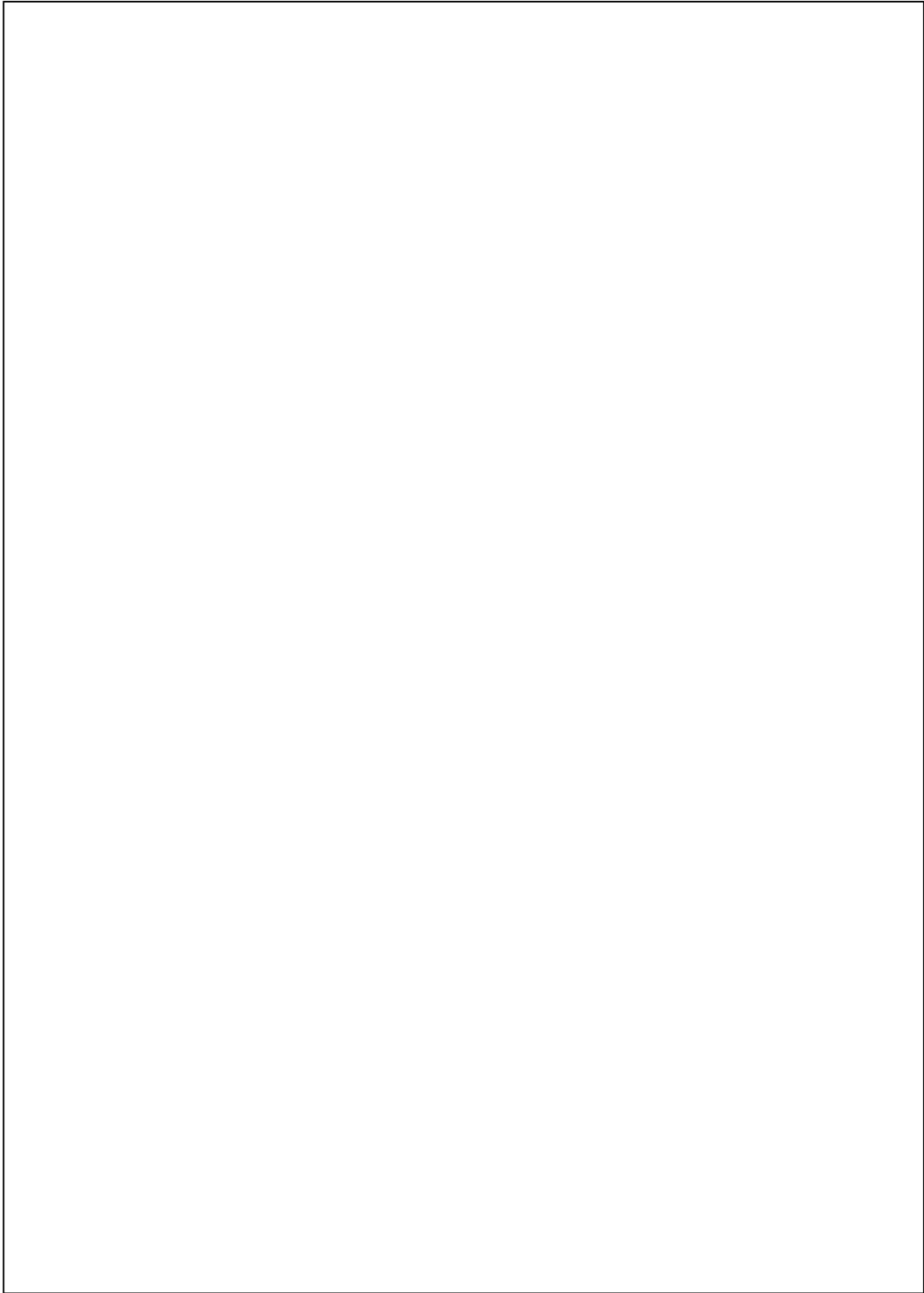
AC Electrical Characteristics

| Symbol | Parameter | V _{CC} (V) (Note 9) | 54ACT | | Units |
|------------------|---|------------------------------------|---|------|-------|
| | | | T _A = -55° C to +125° C C _L = 50 pF | | |
| | | | Min | Max | |
| t _{PLH} | Propagation Delay S to Z _n | 5.0 | 1.0 | 11.5 | ns |
| t _{PHL} | Propagation Delay S to Z _n | 5.0 | 1.0 | 11.5 | ns |
| t _{PLH} | Propagation Delay Ē to Z _n | 5.0 | 1.0 | 12.0 | ns |
| t _{PHL} | Propagation Delay Ē to Z _n | 5.0 | 1.0 | 10.0 | ns |
| t _{PLH} | Propagation Delay I _n to Z _n | 5.0 | 1.0 | 8.5 | ns |
| t _{PHL} | Propagation Delay I _n to Z _n | 5.0 | 1.0 | 9.0 | ns |

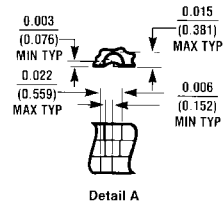
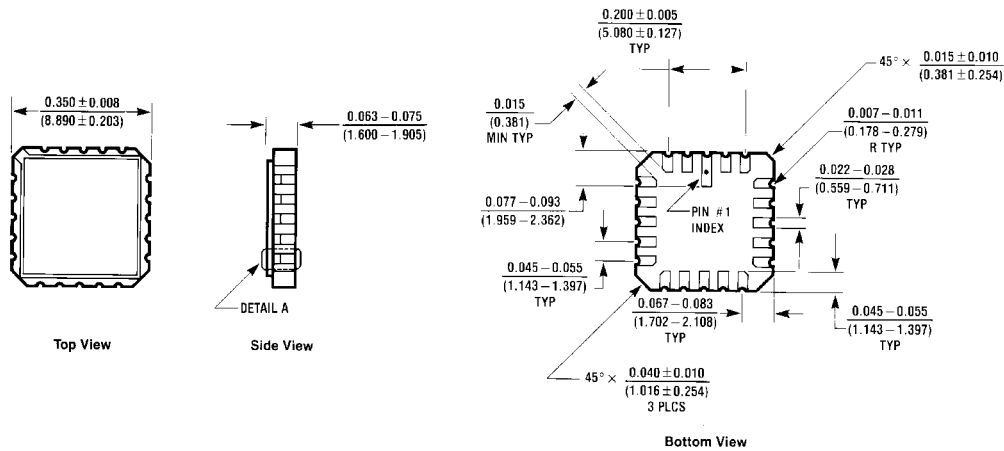
Note 9: Voltage Range 5.0 is 5.0V ±0.5V

Capacitance

| Symbol | Parameter | Typ | Units | Conditions |
|-----------------|----------------------------------|------|-------|------------------------|
| C _{IN} | Input Capacitance | 4.5 | pF | V _{CC} = OPEN |
| C _{PD} | Power Dissipation Capacitance | 50.0 | pF | V _{CC} = 5.0V |

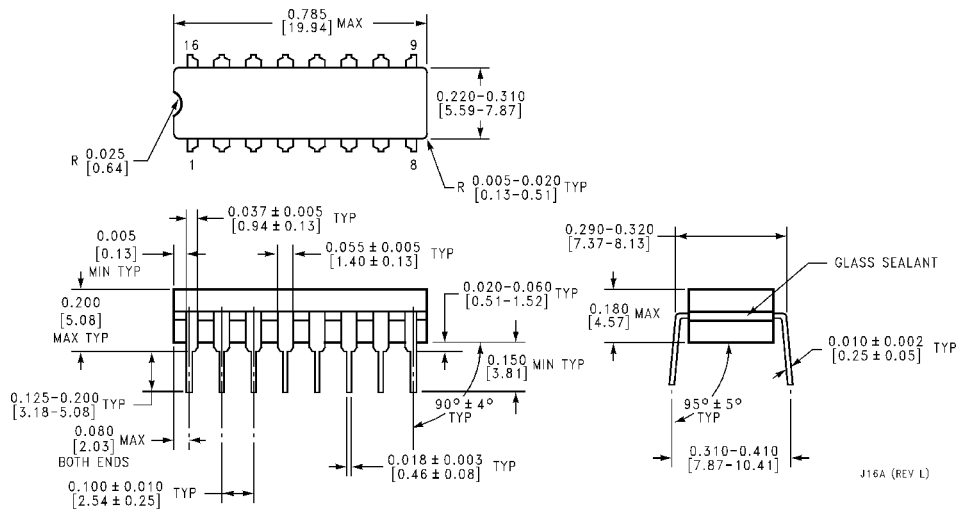


Physical Dimensions inches (millimeters) unless otherwise noted



20 Terminal Ceramic Leadless Chip Carrier (L)
 NS Package Number E20A

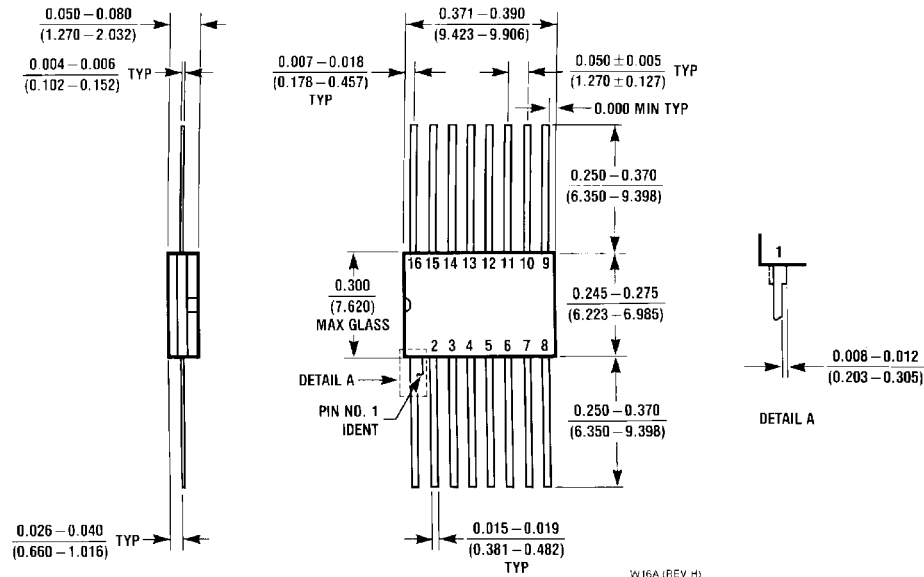
E20A (REV D)



16-Lead Ceramic Dual-In-Line Package (D)
 NS Package Number J16A

J16A (REV L)

Physical Dimensions inches (millimeters) unless otherwise noted (Continued)



**16-Lead Ceramic Flatpak (F)
NS Package Number W16A**

LIFE SUPPORT POLICY

NATIONAL'S PRODUCTS ARE NOT AUTHORIZED FOR USE AS CRITICAL COMPONENTS IN LIFE SUPPORT DEVICES OR SYSTEMS WITHOUT THE EXPRESS WRITTEN APPROVAL OF THE PRESIDENT OF NATIONAL SEMICONDUCTOR CORPORATION. As used herein:

1. Life support devices or systems are devices or systems which, (a) are intended for surgical implant into the body, or (b) support or sustain life, and whose failure to perform when properly used in accordance with instructions for use provided in the labeling, can be reasonably expected to result in a significant injury to the user.
2. A critical component in any component of a life support device or system whose failure to perform can be reasonably expected to cause the failure of the life support device or system, or to affect its safety or effectiveness.



National Semiconductor Corporation
Americas
Tel: 1-800-272-9959
Fax: 1-800-737-7018
Email: support@nsc.com

www.national.com

National Semiconductor Europe
Fax: +49 (0) 1 80-530 85 86
Email: europe.support@nsc.com
Deutsch Tel: +49 (0) 1 80-530 85 85
English Tel: +49 (0) 1 80-532 78 32
Français Tel: +49 (0) 1 80-532 93 58
Italiano Tel: +49 (0) 1 80-534 16 80

National Semiconductor Asia Pacific Customer Response Group
Tel: 65-2544466
Fax: 65-2504466
Email: sea.support@nsc.com

National Semiconductor Japan Ltd.
Tel: 81-3-5620-6175
Fax: 81-3-5620-6179