

54ACT11112, 74ACT11112 DUAL J-K NEGATIVE-EDGE-TRIGGERED FLIP-FLOPS WITH CLEAR AND PRESET

T10103—D3339, JUNE 1989—REVISED JANUARY 1990

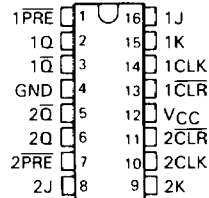
- Inputs are TTL-Voltage Compatible
- Flow-Through Architecture to Optimize PCB Layout
- Center-Pin V_{CC} and GND Configurations to Minimize High-Speed Switching Noise
- EPIC™ (Enhanced-Performance Implanted CMOS) 1- μ m Process
- 500-mA Typical Latch-Up Immunity at 125°C
- Package Options Include Plastic "Small Outline" Packages, Ceramic Chip Carriers, and Standard Plastic and Ceramic 300-mil DIPs

description

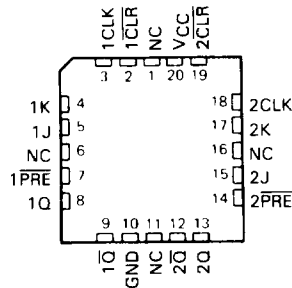
These devices contain two independent J-K negative-edge-triggered flip-flops. A low level at the Preset or Clear inputs sets or resets the outputs regardless of the levels of the other inputs. When Preset and Clear are inactive (high), data at the J and K inputs meeting the setup time requirements are transferred to the outputs on the negative-going edge of the clock pulse. Clock triggering occurs at a voltage level and is not directly related to the fall time of the clock pulse. Following the hold-time interval, data at the J and K inputs may be changed without affecting the levels at the outputs. These versatile flip-flops can perform as toggle flip-flops by tying J and K high.

The 54ACT11112 is characterized for operation over the full military temperature range of -55°C to 125°C. The 74ACT11112 is characterized for operation from -40°C to 85°C.

54ACT11112 ... J PACKAGE
74ACT11112 ... D OR N PACKAGE
(TOP VIEW)



54ACT11112 ... FK PACKAGE
(TOP VIEW)



NC—No internal connection

EPIC is a trademark of Texas Instruments Incorporated.

UNLESS OTHERWISE NOTED this document contains PRODUCTION DATA information current as of publication date. Products conform to specifications per the terms of Texas Instruments standard warranty. Production processing does not necessarily include testing of all parameters.

TEXAS
INSTRUMENTS

Copyright © 1990, Texas Instruments Incorporated

54ACT11112, 74ACT11112 DUAL J-K NEGATIVE-EDGE-TRIGGERED FLIP-FLOPS WITH CLEAR AND PRESET

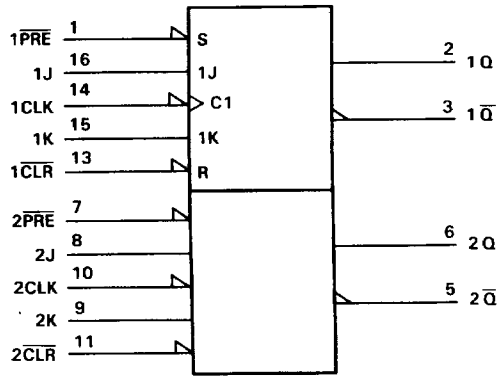
TI0103—D3339, JUNE 1969—REVISED JANUARY 1990

FUNCTION TABLE

INPUTS					OUTPUTS	
PRE	CLR	CLK	J	K	Q	\bar{Q}
L	H	X	X	X	H	L
H	L	X	X	X	L	H
L	L	X	X	X	H†	H†
H	H	↓	L	L	Q ₀	\bar{Q} ₀
H	H	↓	H	L	H	L
H	H	↓	L	H	L	H
H	H	↓	H	H	TOGGLE	
H	H	H	X	X	Q ₀	\bar{Q} ₀

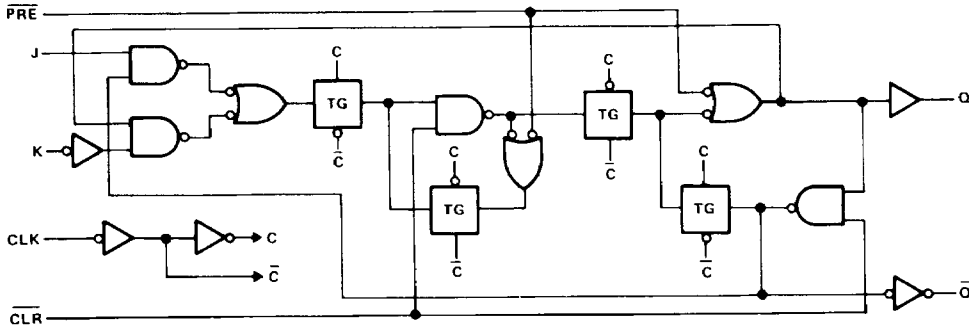
† This configuration is nonstable; that is, it will not persist when either Preset or Clear returns to the inactive (high) level.

logic symbol†



† This symbol is in accordance with ANSI/IEEE Std 91-1984 and IEC Publication 617-12. Pin numbers shown are for D, J, and N packages.

logic diagram (each flip-flop) (positive logic)



54ACT11112, 74ACT11112 DUAL J-K NEGATIVE-EDGE-TRIGGERED FLIP-FLOPS WITH CLEAR AND PRESET

D3339, JUNE 1989—REVISED JANUARY 1990—T10103

absolute maximum ratings over operating free-air temperature range (unless otherwise noted)[†]

Supply voltage range, V_{CC}	-0.5 V to 7 V
Input voltage range, V_I (see Note 1)	-0.5 V to $V_{CC} + 0.5$ V
Output voltage range, V_O (see Note 1)	-0.5 V to $V_{CC} + 0.5$ V
Input clamp current, I_{IK} ($V_I < 0$ or $V_I > V_{CC}$)	± 20 mA
Output clamp current, I_{OK} ($V_O < 0$ or $V_O > V_{CC}$)	± 50 mA
Continuous output current, I_O ($V_O = 0$ to V_{CC})	± 50 mA
Continuous current through V_{CC} or GND pins	± 100 mA
Storage temperature range	-65°C to 150°C

[†] Stresses beyond those listed under "absolute maximum ratings" may cause permanent damage to the device. These are stress ratings only and functional operation of the device at these or any other conditions beyond those indicated under "recommended operating conditions" is not implied. Exposure to absolute maximum rated conditions for extended periods may affect device reliability.

NOTE 1: The input and output voltage ratings may be exceeded if the input and output current ratings are observed.

recommended operating conditions

	54ACT11112		74ACT11112		UNIT
	MIN	MAX	MIN	MAX	
V_{CC} Supply voltage	4.5	5.5	4.5	5.5	V
V_{IH} High-level input voltage	2		2		V
V_{IL} Low-level input voltage		0.8		0.8	V
V_I Input voltage	0	V_{CC}	0	V_{CC}	V
V_O Output voltage	0	V_{CC}	0	V_{CC}	V
I_{OH} High-level output current		-24		-24	mA
I_{OL} Low-level output current		24		24	mA
$\Delta t/\Delta v$ Input transition rise or fall	0	10	0	10	ns/V
T_A Operating free-air temperature	-55	125	-40	85	°C



54ACT11112, 74ACT11112 DUAL J-K NEGATIVE-EDGE-TRIGGERED FLIP-FLOPS WITH CLEAR AND PRESET

T10103—D3339, JUNE 1989—REVISED JANUARY 1990

electrical characteristics over recommended operating free-air temperature range (unless otherwise noted)

PARAMETER	TEST CONDITIONS	V _{CC}	T _A = 25°C			54ACT11112		74ACT11112		UNIT
			MIN	TYP	MAX	MIN	MAX	MIN	MAX	
V _{OH}	I _{OH} = -50 μA	4.5 V	4.4			4.4	4.4	V		
		5.5 V	5.4			5.4	5.4			
	I _{OH} = -24 mA	4.5 V	3.94			3.7	3.8			
		5.5 V	4.94			4.7	4.8			
	I _{OH} = -50 mA†	5.5 V				3.85				
I _{OH} = -75 mA†	5.5 V					3.85				
V _{OL}	I _{OL} = 50 μA	4.5 V		0.1		0.1	0.1	V		
		5.5 V		0.1		0.1	0.1			
	I _{OL} = 24 mA	4.5 V		0.36		0.5	0.44			
		5.5 V		0.36		0.5	0.44			
	I _{OL} = 50 mA†	5.5 V				1.65				
I _{OL} = 75 mA†	5.5 V					1.65				
I _I	V _I = V _{CC} or GND	5.5 V		±0.1		±1	±1	μA		
I _{CC}	V _I = V _{CC} or GND, I _O = 0	5.5 V		4		80	40	μA		
ΔI _{CC} ‡	V _I = V _{CC} or GND	5.5 V		0.9		1	1	mA		
C _i	V _I = V _{CC} or GND	5 V		3.5				pF		

† Not more than one output should be tested at a time, and the duration of the test should not exceed 10 ms.

‡ This parameter is the increase in supply current for each input that is at one of the specified TTL voltage levels rather than 0 V to V_{CC}.

**timing requirements over recommended operating free-air temperature range,
V_{CC} = 5 V ± 0.5 V (unless otherwise noted) (see Figure 1)**

PARAMETER		T _A = 25°C		54ACT11112		74ACT11112		UNIT
		MIN	MAX	MIN	MAX	MIN	MAX	
f _{clock}	Clock frequency		125		125		125	MHz
t _w	Pulse duration	PRE or CLR low	4		4		4	ns
		CLK low or high	4		4		4	
t _{su}	Setup time, data before CLK ↓	Data high or low	3.5		3.5		4.5	ns
		PRE or CLR inactive	2		2		2	
t _h	Hold time, data after CLK ↓		1.5		1.5		1.5	ns

54ACT11112, 74ACT11112
DUAL J-K NEGATIVE-EDGE-TRIGGERED FLIP-FLOPS
WITH CLEAR AND PRESET

D3339, JUNE 1989—REVISED JANUARY 1990—T10103

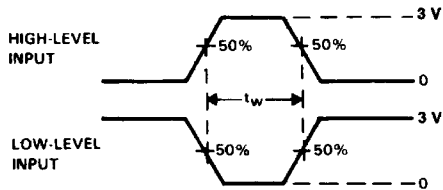
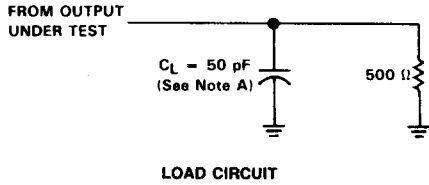
switching characteristics over recommended operating free-air temperature range,
 $V_{CC} = 5\text{ V} \pm 0.5\text{ V}$ (unless otherwise noted) (see Figure 1)

PARAMETER	FROM (INPUT)	TO (OUTPUT)	$T_A = 25^\circ\text{C}$			54ACT11112		74ACT11112		UNIT
			MIN	TYP	MAX	MIN	MAX	MIN	MAX	
f_{max}			125			125		125		MHz
t_{PLH}	$\overline{\text{PRE}}$ or $\overline{\text{CLR}}$	Q or $\overline{\text{Q}}$	1.5	3.6	6.3	1.5	7.1	1.5	6.8	ns
t_{PHL}			1.5	4.6	7.4	1.5	8.4	1.5	8	
t_{PLH}	CLK	Q or $\overline{\text{Q}}$	1.5	4.2	7	1.5	8	1.5	7.7	ns
t_{PHL}			1.5	4.7	7.4	1.5	8.9	1.5	8.4	
C_{pd}	Power dissipation capacitance per flip-flop					$C_L = 50\text{ pF}$, $f = 1\text{ MHz}$, $T_A = 25^\circ\text{C}$		39		pF

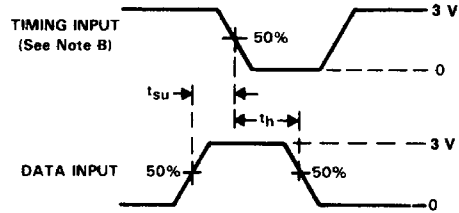
54ACT11112, 74ACT11112
 DUAL J-K NEGATIVE-EDGE-TRIGGERED FLIP-FLOPS
 WITH CLEAR AND PRESET

T10103—D3339, JUNE 1989—REVISED JANUARY 1990

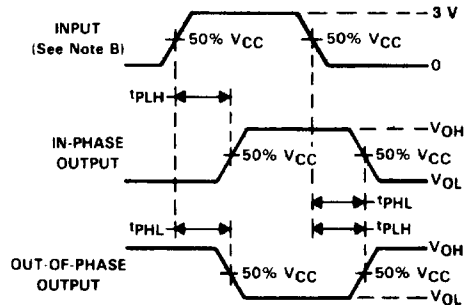
PARAMETER MEASUREMENT INFORMATION



PULSE DURATION



SETUP AND HOLD TIMES



PROPAGATION DELAY TIMES

NOTES: A. C_L includes probe and jig capacitance.

B. Input pulses are supplied by generators having the following characteristics: PRR \leq 10 MHz, $Z_O = 50 \Omega$, $t_r = 3 \text{ ns}$, $t_f = 3 \text{ ns}$. For testing f_{max} and pulse duration: $t_r = 1 \text{ to } 3 \text{ ns}$, $t_f = 1 \text{ to } 3 \text{ ns}$.

C. The outputs are measured one at a time with one input transition per measurement.

FIGURE 1. LOAD CIRCUIT AND VOLTAGE WAVEFORMS