

3.0V, SOTiny™ 0.4Ω Single-Supply SPDT Analog Switch

Features

- Low On-Resistance: 0.4Ω (+2.7V Supply)
- R_{ON} Matching: 0.09Ω Max. at 25 °C
- R_{ON} Flatness: 0.1Ω Max. (+3.0V Supply) at 25 °C
- Low 2nA Input Leakage at 25 °C
- +1.5V to +3.6V Single-Supply Operation
- Fast Switching Time: 40ns Max.
- -41dB Off-Isolation at 100KHz
- TTL/CMOS Logic Compatible
- Low Power Consumption: 5μW
- Packaging (Pb-free & Green available):
 - 6-pin Small Compact SOT-23 (T)
 - 6-pin No Lead (TDFN) (ZC)

Applications

- Communication Circuits
- Cellular Phones
- Audio and Video Signal Routing
- Portable Battery-Operated Equipment
- Data Acquisition Systems
- Computer Peripherals
- Telecommunications
- Relay Replacement
- Wireless Terminals and Peripherals
- Hard Drives
- Modems

Truth Table

Logic	NC	NO
0	ON	OFF
1	OFF	ON

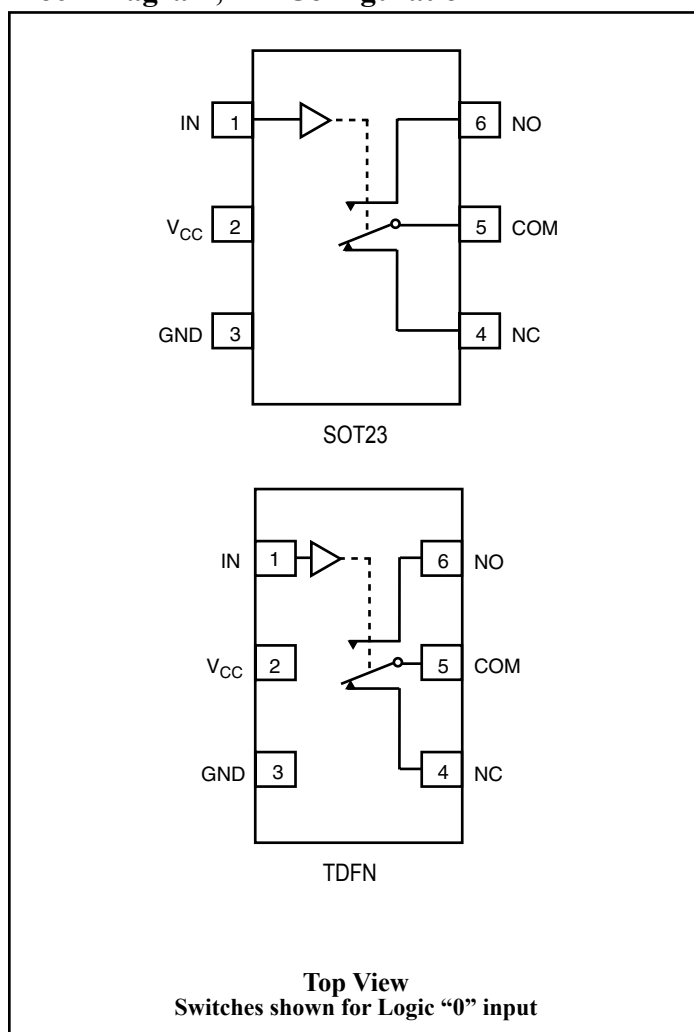
Description

The PI3A4624 is a single-pole, double-throw (SPDT) analog switch. Specifications include a low ON-Resistance of 0.4Ω, and fast switching times (40ns Max.) with 3.0V supply operation.

Specifications are given for 1.8V, 2.5V and 3.3V power supply operation. Operating voltage range is +1.5V to +3.6V.

To minimize PC board area use, the device is available in the ultra compact TDFN, and the small compact SOT-23, 6-pin packages. Operating temperature range is – 40°C to 85°C.

Block Diagram, Pin Configuration



Absolute Maximum Ratings

Voltages Referenced to GND

V_{CC} -0.5V to +3.6V

V_{IN}, V_{COM}, V_{NC}, V_{NO} ⁽¹⁾ -0.5V to V_{CC} +0.3V
or 30mA, whichever occurs first

Current (any terminal)..... ±200mA

Peak Current, COM, NO, NC

(Pulsed at 1ms, 10% duty cycle)..... ±400mA

Thermal Information

Continuous Power Dissipation

SOT-23, 6-pin (derate 7.1mW/°C above +70°C) 0.5W

Storage Temperature -65°C to +150°C

Lead Temperature (soldering, 10s) +300°C

Notes:

1. Signals on NC, NO, COM, or IN exceeding V_{CC} or GND are clamped by internal diodes. Limit forward diode current to 30mA.

Caution: Stresses beyond those listed under “Absolute Maximum Ratings” may cause permanent damage to the device. This is a stress only rating and operation of the device at these or any other conditions beyond those indicated in the operational sections of this specification is not implied.

Electrical Specifications - Single +3.3V Supply

(V_{CC} = +3.3V ± 10%, GND = 0V, V_{IH} = 1.4V, V_{IL} = 0.5V)

Parameter	Symbol	Conditions	Package	Temp. (°C)	Min. ⁽¹⁾	Typ. ⁽²⁾	Max. ⁽¹⁾	Units
Analog Switch								
Analog Signal Range ⁽³⁾	V _{ANALOG}			Full	0		V _{CC}	V
On-Resistance	R _{ON}	V _{CC} = 2.7V, I _{COM} = 100mA, V _{NO} or V _{NC} = +1.5V		25		0.4	0.5	Ω
			SOT23	Full			0.5	
			TDFN				0.6	
On-Resistance Match Between Channels ⁽⁴⁾	ΔR _{ON}			25			0.08	Ω
				Full			0.09	
On-Resistance Flatness ⁽⁵⁾	R _{FLAT(ON)}	V _{CC} = 2.7V, I _{COM} = 100mA, V _{NO} or V _{NC} = 0.8V, 2.0V		25			0.1	Ω
				Full			0.1	
NO or NC Off Leakage Current ⁽⁶⁾	I _{NO(OFF)} or I _{NC(OFF)}	V _{CC} = 3.3V, V _{COM} = 0V, V _{NO} or V _{NC} = +2.0V		25	-1		1	nA
				Full		-10		
COM On Leakage Current ⁽⁶⁾	I _{COM(ON)}	V _{CC} = 3.3V, V _{COM} = +2.0V, V _{NO} or V _{NC} = +2.0V		25	-2		2	nA
				Full		-20		

Electrical Specifications - Single +3.3V Supply (continued)

($V_{CC} = +3.3V \pm 10\%$, $GND = 0V$, $V_{IH} = 1.4V$, $V_{IL} = 0.5V$)

Parameter	Symbol	Conditions	Temp. (°C)	Min. ⁽¹⁾	Typ. ⁽²⁾	Max. ⁽¹⁾	Units
Logic Input							
Input High Voltage	V_{IH}	Guaranteed Logic High Level	Full	1.4			V
Input Low Voltage	V_{IL}	Guaranteed Logic LowLevel				0.5	
Input Current with Voltage High	I_{INH}	$V_{IN} = 1.4V$, all others = 0.5V		-1		1	μA
Input Current with Voltage Low	I_{INL}	$V_{IN} = 0.5V$, all others = 1.4V		-1		1	
Dynamic							
Turn-On-Time	t_{ON}	$V_{CC} = 3.3V$, V_{NO} or $V_{NC} = 2.0V$, Figure 1	25			20	ns
			Full			40	
Turn-Off-Time	t_{OFF}		25			10	
			Full			20	
Charge Injection ⁽³⁾	Q	$C_L = 1nF$, $V_{GEN} = 0V$, $R_{GEN} = 0\Omega$, Figure 2	25		40		pC
Off Isolation ⁽⁷⁾	O_{IRR}	$R_L = 50\Omega$, $f = 100$ KHz, Figure 3			-27		dB
CrossTalk ⁽⁸⁾	X_{TALK}	$R_L = 50\Omega$, $f = 100$ KHz, Figure 4			-41		
NC or NO Capacitance	$C_{NC/NO(OFF)}$	$f = 1$ MHz, Figure 5			75		pF
COM Off Capacitance	$C_{COM(OFF)}$				75		
COM On Capacitance	$C_{COM(ON)}$		$f = 1$ MHz, Figure 6			200	
Supply							
Power-Supply Range	V_{CC}		Full	1.5		3.6	V
Positive Supply Current	I_{CC}	$V_{CC} = 3.6V$, $V_{IN} = 0V$ or V_{CC}					100

Notes:

1. The algebraic convention, where most negative value is a minimum and most positive is a maximum, is used in this data sheet.
2. Typical values are for DESIGN AID ONLY, not guaranteed or subject to production testing.
3. Guaranteed by design.
4. $\Delta R_{ON} = R_{ON} \text{ max.} - R_{ON} \text{ min.}$
5. Flatness is defined as the difference between the maximum and minimum value of On-Resistance measured.
6. Leakage parameters are 100% tested at maximum rated hot temperature and guaranteed by correlation at +25°C.
7. Off Isolation = $20 \log_{10} [V_{COM} / (V_{NO} \text{ or } V_{NC})]$. See Figure 4.
8. Between any two switches. See Figure 5.

Electrical Specifications - Single +2.5V Supply

($V_{CC} = +2.5V \pm 10\%$, $GND = 0V$, $V_{IH} = 1.4V$, $V_{IL} = 0.5V$)

Parameter	Symbol	Conditions	Temp. (°C)	Min. ⁽¹⁾	Typ. ⁽²⁾	Max. ⁽¹⁾	Units
Analog Switch							
Analog Signal Range ⁽³⁾	V_{ANALOG}			0		V_{CC}	V
On-Resistance	R_{ON}	$V_{CC} = 2.5V$, $I_{COM} = -8mA$, V_{NO} or $V_{NC} = 1.8V$	25			0.5	Ω
			Full			0.6	
On-Resistance Match Between Channels ⁽⁴⁾	ΔR_{ON}	$V_{CC} = 2.5V$, $I_{COM} = -8mA$, V_{NO} or $V_{NC} = 0.8V, 1.8V$	25			0.1	
			Full			0.1	
On-Resistance Flatness ⁽⁵⁾	$R_{FLAT(ON)}$		25			0.1	
			Full			0.1	
Dynamic							
Turn-On-Time	t_{ON}	$V_{CC} = 2.5V$, V_{NO} or $V_{NC} = 1.8V$, Figure 1	25			30	ns
			Full			50	
Turn-Off-Time	t_{OFF}		25			15	
			Full			30	
Charge Injection ⁽³⁾	Q	$C_L = 1nF$, $V_{GEN} = 0V$, $R_{GEN} = 0V$, Figure 2	25		40		pC
Logic Input							
Input High Voltage	V_{IH}	Guaranteed Logic High Level	Full	1.4			V
Input Low Voltage	V_{IL}	Guaranteed Logic LowLevel	Full			0.5	
Input High Current	I_{INH}	$V_{IN} = 1.4V$, all others = 0.5V	Full	-1		1	μA
Input Low Current	I_{INL}	$V_{IN} = 0.5V$, all others = 1.4V	Full	-1		1	

Notes:

1. The algebraic convention, where most negative value is a minimum and most positive is a maximum, is used in this data sheet.
2. Typical values are for DESIGN AID ONLY, not guaranteed or subject to production testing.
3. Guaranteed by design.
4. $\Delta R_{ON} = R_{ON} \text{ max.} - R_{ON} \text{ min.}$
5. Flatness is defined as the difference between the maximum and minimum value of On-Resistance measured.

Electrical Specifications - Single +1.8V Supply

($V_{CC} = +1.8V \pm 10\%$, $GND = 0V$, $V_{IH} = 1.4V$, $V_{IL} = 0.5V$)

Parameter	Symbol	Conditions	Temp. (°C)	Min. ⁽¹⁾	Typ. ⁽²⁾	Max. ⁽¹⁾	Units
Analog Switch							
Analog Signal Range ⁽³⁾	V_{ANALOG}			0		V_{CC}	V
On-Resistance	R_{ON}	$V_{CC} = 1.8V$, $I_{COM} = -4mA$, V_{NO} or $V_{NC} = 1.5V$	25			0.55	Ω
			Full			0.65	
On-Resistance Match Between Channels ⁽⁴⁾	ΔR_{ON}	$V_{CC} = 1.8V$, $I_{COM} = -4mA$, V_{NO} or $V_{NC} = 0.8V, 1.5V$	25			0.1	
			Full			0.2	
On-Resistance Flatness ⁽⁵⁾	$R_{FLAT(ON)}$		25			0.9	
			Full			1.3	
Dynamic							
Turn-On-Time	t_{ON}	$V_{CC} = 1.8V$, V_{NO} or $V_{NC} = 1.5V$, Figure 1	25			50	ns
			Full			50	
Turn-Off-Time	t_{OFF}		25			20	
			Full			40	
Charge Injection ⁽³⁾	Q	$C_L = 1nF$, $V_{GEN} = 0V$, $R_{GEN} = 0V$, Figure 2	25		36		pC
Logic Input							
Input High Voltage	V_{IH}	Guaranteed Logic High Level	Full	1.4			V
Input Low Voltage	V_{IL}	Guaranteed Logic LowLevel	Full			0.5	
Input High Current	I_{INH}	$V_{IN} = 1.4V$, all others = 0.5V	Full	-1		1	μA
Input Low Current	I_{INL}	$V_{IN} = 0.5V$, all others = 1.4V	Full	-1		1	

Notes:

1. The algebraic convention, where most negative value is a minimum and most positive is a maximum, is used in this data sheet.
2. Typical values are for DESIGN AID ONLY, not guaranteed or subject to production testing.
3. Guaranteed by design.
4. $\Delta R_{ON} = R_{ON} \text{ max.} - R_{ON} \text{ min.}$
5. Flatness is defined as the difference between the maximum and minimum value of On-Resistance measured.

Test Circuits/Timing Diagrams

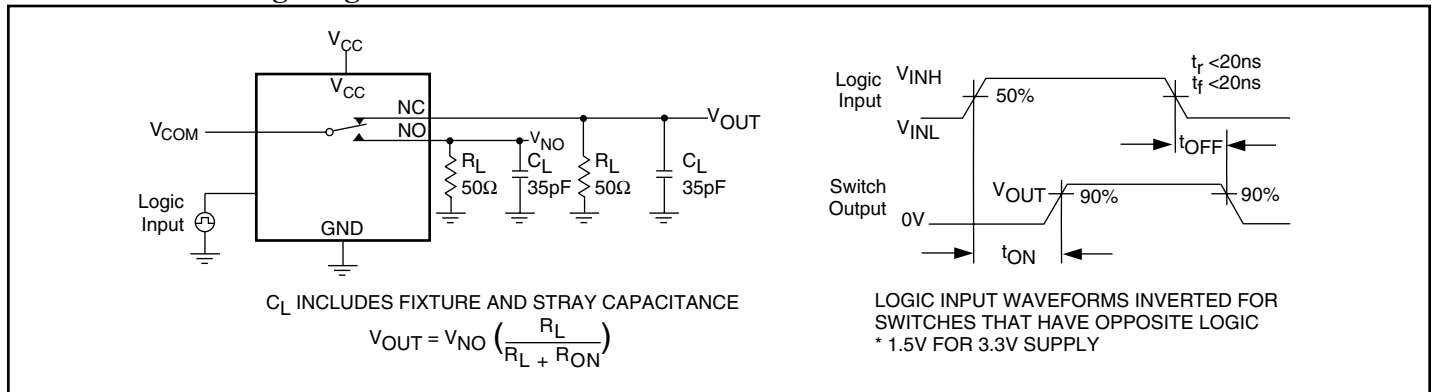


Figure 1. Switching Time

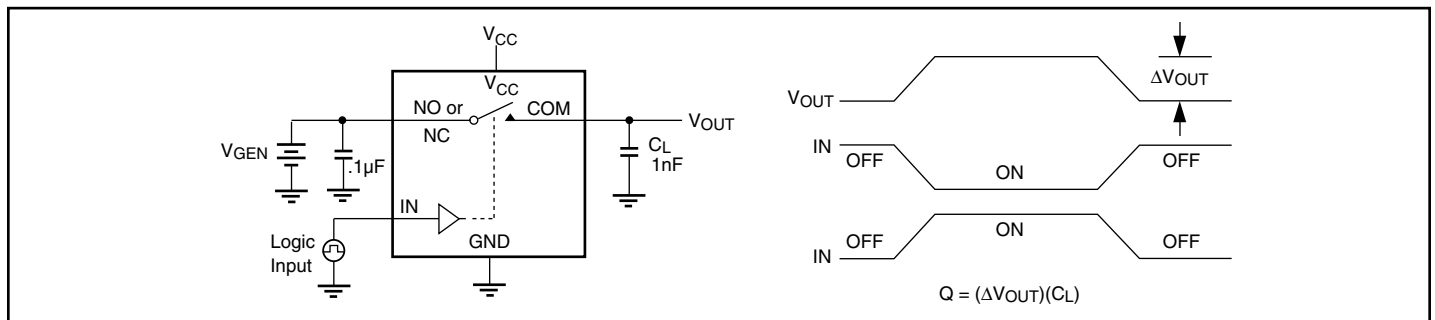


Figure 2. Charge Injection

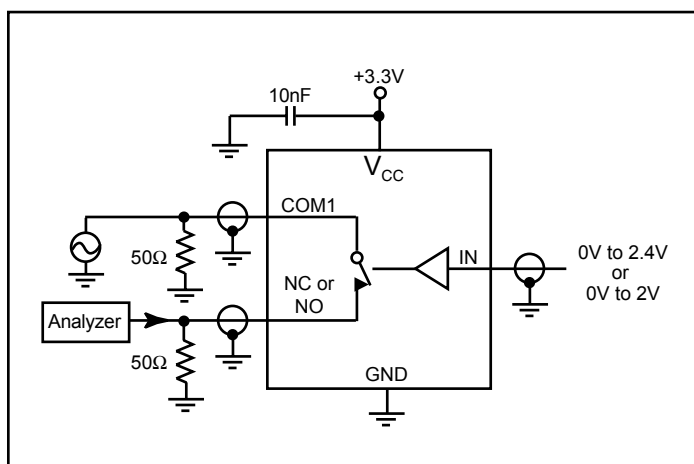


Figure 3. Off Isolation

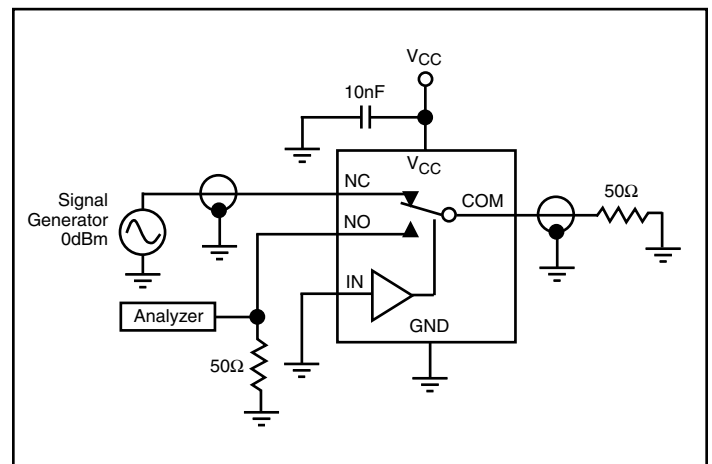


Figure 4. Crosstalk

Test Circuits/Timing Diagrams (continued)

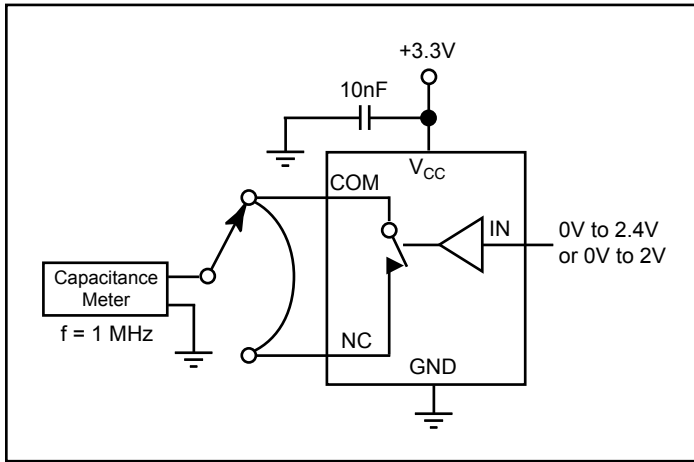


Figure 5. Channel-Off Capacitance

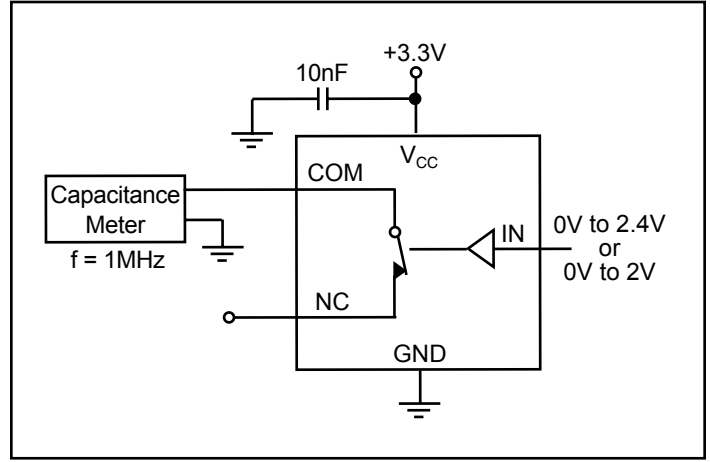
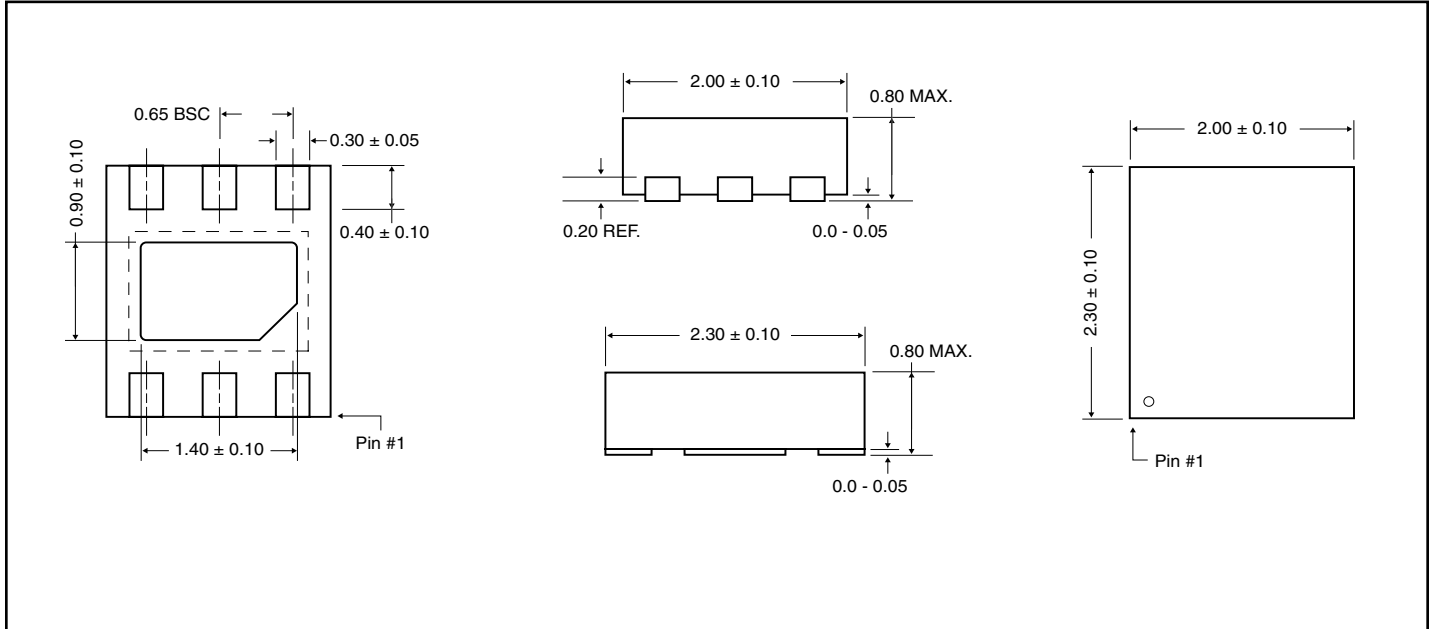
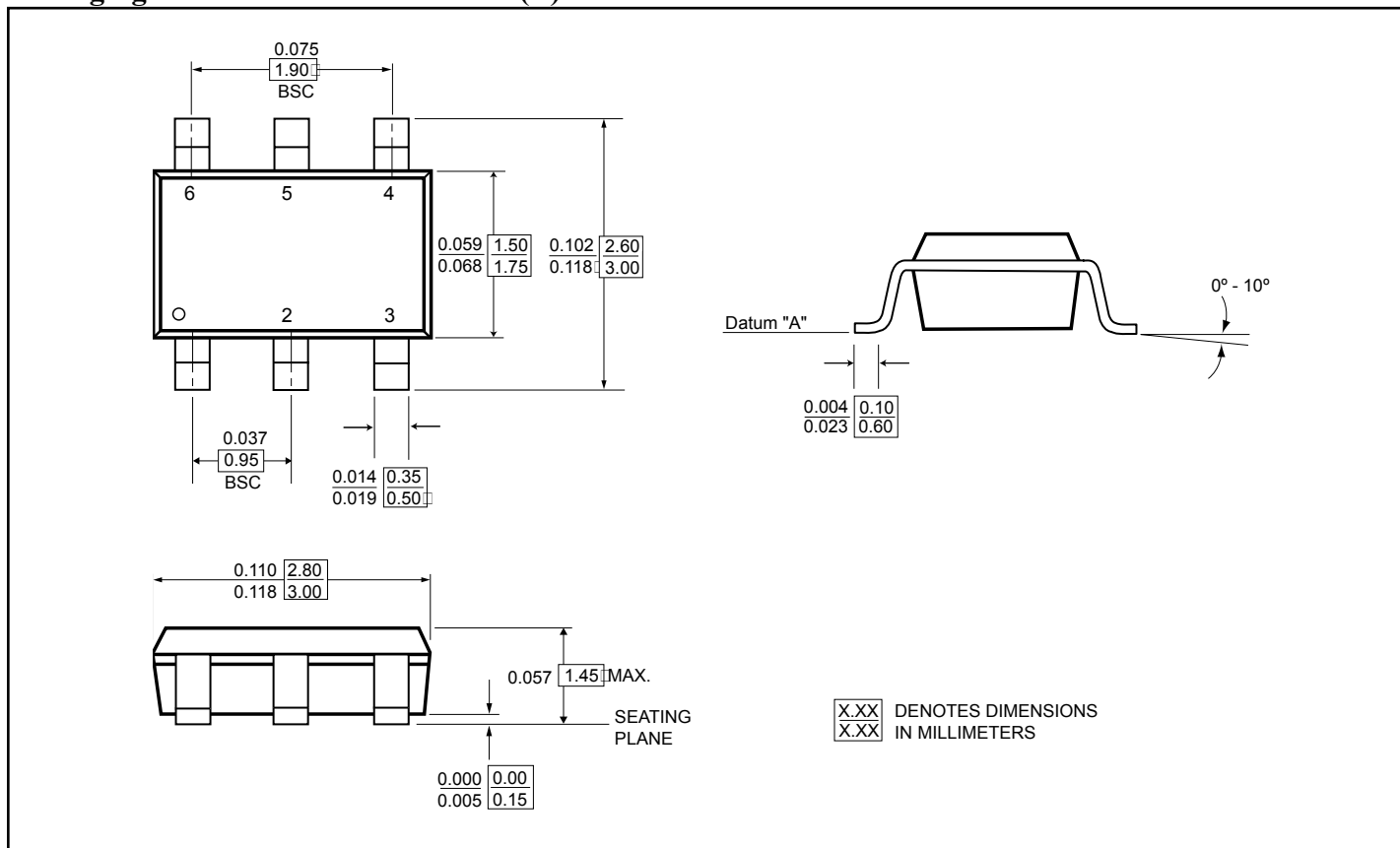


Figure 6. Channel-On Capacitance

Packaging Mechanical: 6-Pin TDFN (ZC)



Packaging Mechanical: 6-Pin SOT-23 (T)



Ordering Information

Ordering Code	Package Code	Package Description	Top Mark
PI3A4624TX	T	6-pin, Small Compact SOT-23	ZF
PI3A4624TEX	T	Pb-free & Green, 6-pin, Small Compact SOT-23	ZF
PI3A4624ZCEX	ZC	Pb-free & Green, 6-pin, Ultra Compact TDFN	ZF

Notes:

1. Thermal characteristics can be found on the company web site at www.pericom.com/packaging/
2. X = Tape/Reel
3. Number of transistors = TBD