

# SN75126 QUADRUPLE LINE DRIVER

SLLS060B – FEBRUARY 1990 – REVISED MAY 1995

- Meets or Exceeds the Requirements of IBM™ System 360/370 Input/Output Interface Specification GA22-6974-3
- Minimum Output Voltage of 3.11 V at  $I_{OH} = -59.3$  mA
- Fault-Flag Circuit Output Signals Driver Output Fault
- Fault-Detection Current-Limit Circuit Minimizes Power Dissipation During a Fault Condition
- Dual Common Enable
- Individual Fault Flags
- Designed to Replace the MC3481

## description

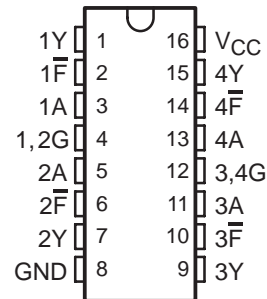
The SN75126 quadruple line driver is designed to meet the IBM 360/370 I/O specification A22-6974-3. The output voltage is 3.11 V minimum (at  $I_{OH} = -59.3$  mA) over the recommended ranges of supply voltage (4.5 V to 5.95 V) and temperature. Driver outputs use a fault-detection current-limit circuit to allow high drive current but still minimize power dissipation when the output is shorted to ground. The SN75126 is compatible with standard TTL logic and supply voltages.

Fault-flag circuitry is designed to sense and signal a line short on any Y line. Upon detecting an output fault condition, the fault-flag circuit forces the driver output into a low state and signals a fault condition by causing the fault-flag output to go low.

The SN75126 can drive a 50-Ω load or a 90-Ω load as used in many I/O systems. Optimum performance can be achieved when the device is used with either the SN75128 or SN75129 line receivers. Also, see the SN751730 for new 360/370 interface designs.

The SN75126 is characterized for operation from 0°C to 70°C.

D OR N PACKAGE  
(TOP VIEW)



FUNCTION TABLE

INPUTS		OUTPUTS	
G	A	Y	F
L	X	L	H
H	H	H	H
H	H	S	L

H = high level,  
L = low level,  
X = irrelevant,  
S = shorted to ground

IBM is a trademark of International Business Machines Corp.

PRODUCTION DATA information is current as of publication date. Products conform to specifications per the terms of Texas Instruments standard warranty. Production processing does not necessarily include testing of all parameters.



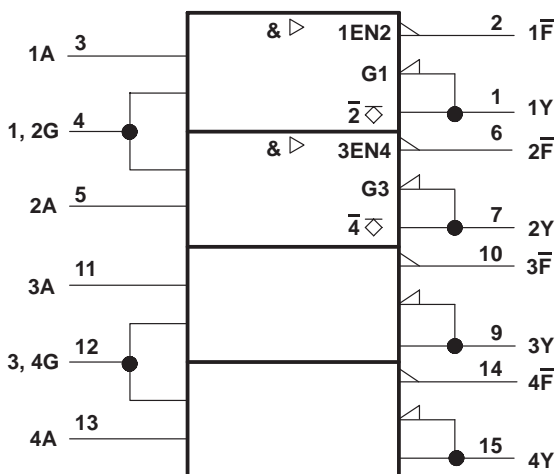
POST OFFICE BOX 655303 • DALLAS, TEXAS 75265  
POST OFFICE BOX 1443 • HOUSTON, TEXAS 77251-1443

Copyright © 1995, Texas Instruments Incorporated

# SN75126 QUADRUPLE LINE DRIVER

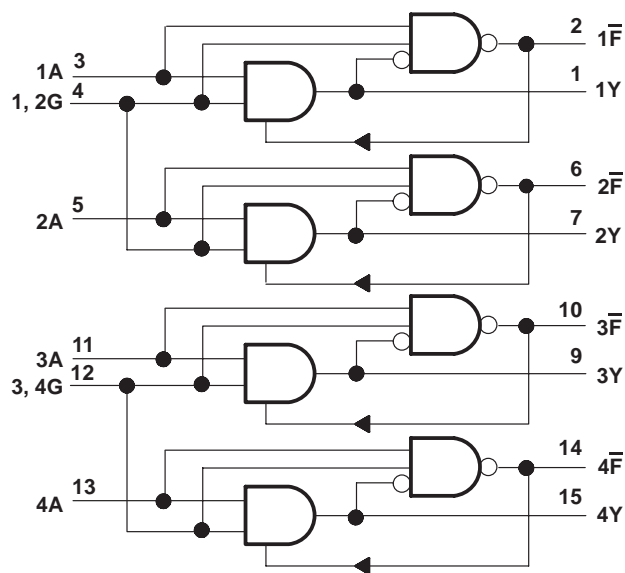
SLLS060B – FEBRUARY 1990 – REVISED MAY 1995

## logic symbol†

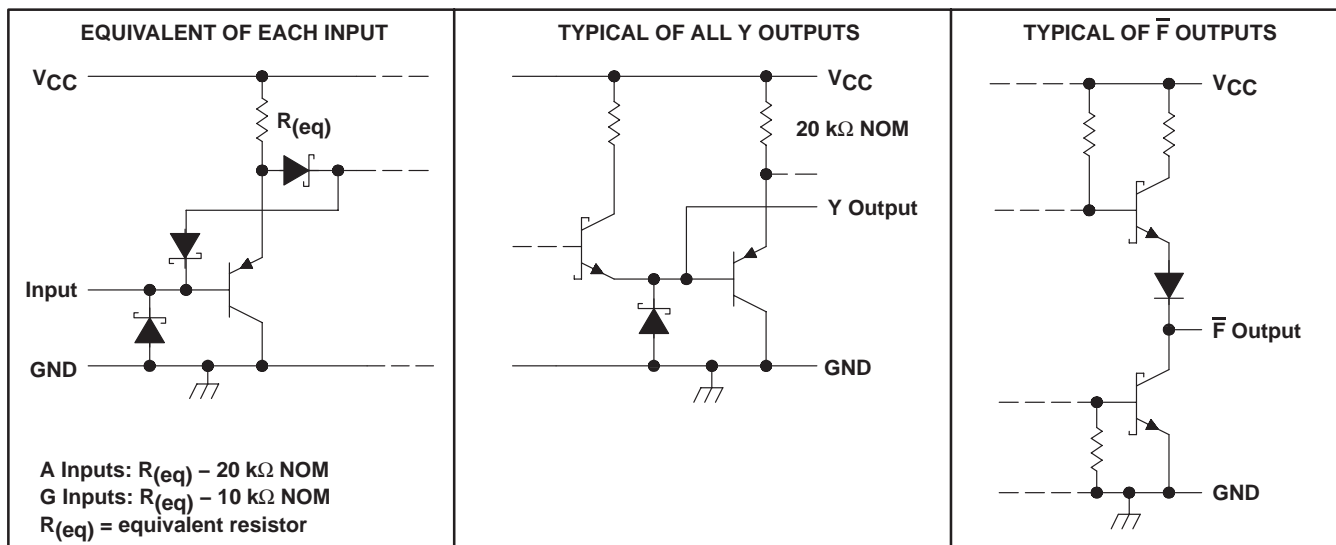


† This symbol is in accordance with ANSI/IEEE Std 91-1984 and IEC Publication 617-12.

## logic diagram (positive logic)



## schematics of inputs and outputs



## absolute maximum ratings over operating free-air temperature range (unless otherwise noted)†

Supply voltage, $V_{CC}$	7 V
Input voltage, $V_I$	7 V
Continuous total power dissipation	See Dissipation Rating Table
Operating free-air temperature range, $T_A$	0°C to 70°C
Storage temperature range, $T_{Stg}$	– 65°C to 150°C
Lead temperature 1,6 mm (1/16 inch) from case for 10 seconds	260°C

† Stresses beyond those listed under “absolute maximum ratings” may cause permanent damage to the device. These are stress ratings only, and functional operation of the device at these or any other conditions beyond those indicated under “recommended operating conditions” is not implied. Exposure to absolute-maximum-rated conditions for extended periods may affect device reliability.

# SN75126 QUADRUPLE LINE DRIVER

SLLS060B – FEBRUARY 1990 – REVISED MAY 1995

**DISSIPATION RATING TABLE**

PACKAGE	$T_A \leq 25^\circ\text{C}$ POWER RATING	DERATING FACTOR ABOVE $T_A = 25^\circ\text{C}$	$T_A = 70^\circ\text{C}$ POWER RATING
D	950 mW	7.6 mW/°C	608 mW
N	1150 mW	9.2 mW/°C	736 mW

## recommended operating conditions

	MIN	NOM	MAX	UNIT
Supply voltage, $V_{CC}$	4.5	5	5.95	V
High-level input voltage, $V_{IH}$	2			V
Low-level input voltage, $V_{IL}$			0.8	V
High-level output current, $I_{OH}$			-59.3	mA
Operating free-air temperature, $T_A$	0		70	°C

## electrical characteristics over recommended operating free-air temperature range

PARAMETER		TEST CONDITIONS		MIN	MAX	UNIT
$V_{IK}$	Input clamp voltage	A, G	$V_{CC} = 4.5\text{ V}$ , $I_I = -18\text{ mA}$		-1.5	V
$V_{OH}$	High-level output voltage	Y	$V_{CC} = 4.5\text{ V}$ , $I_{OH} = -59.3\text{ mA}$ , $V_{IH} = 2\text{ V}$	3.11		V
		Y	$V_{CC} = 5.25\text{ V}$ , $I_{OH} = -41\text{ mA}$ , $V_{IH} = 2\text{ V}$	3.9		
		$\bar{F}$	$V_{CC} = 4.5\text{ V}$ , $I_{OH} = -400\ \mu\text{A}$ , $V_{IH} = 2\text{ V}$	2.5		
$V_{OL}$	Low-level output voltage	Y	$V_{CC} = 5.5\text{ V}$ , $I_{OL} = -240\ \mu\text{A}$ , $V_{IL} = 0.8\text{ V}$		0.15	V
		Y	$V_{CC} = 5.95\text{ V}$ , $I_{OL} = -1\text{ mA}$ , $V_{IL} = 0.8\text{ V}$		0.15	
		$\bar{F}$	$V_{CC} = 4.5\text{ V}$ , $I_{OL} = 8\text{ mA}$ , Y at 0 V, $V_{IH} = 2\text{ V}$		0.5	
$I_{O(off)}$	Off-state output current	Y	$V_{CC} = 4.5\text{ V}$ , $V_I = 0$ , $V_O = 3.11\text{ V}$		100	$\mu\text{A}$
		Y	$V_{CC} = 0$ , $V_I = 0$ , $V_O = 3.11\text{ V}$		200	
$I_I$	Input current	A	$V_{CC} = 4.5\text{ V}$ , $V_I = 5.5\text{ V}$		100	$\mu\text{A}$
		G			200	
$I_{IH}$	High-level input current	A	$V_{CC} = 4.5\text{ V}$ , $V_I = 2.7\text{ V}$		20	$\mu\text{A}$
		G			40	
$I_{IL}$	Low-level input current	A	$V_{CC} = 5.95\text{ V}$ , $V_I = 0.4\text{ V}$		-250	$\mu\text{A}$
		G			-500	
$I_{OS}$	Short-circuit output current	Y	$V_{CC} = 5.5\text{ V}$ , $V_O = 0$ , $V_{IH} = 2.7\text{ V}$		-5	mA
		$\bar{F}$	$V_{CC} = 5.5\text{ V}$ , $V_O = 0$	-15	-100	
		Y	$V_{CC} = 5.95\text{ V}$ , $V_O = 0$ , $V_{IH} = 2.7\text{ V}$		-5	
		$\bar{F}$	$V_{CC} = 5.95\text{ V}$ , $V_O = 0$	-15	-110	
$I_{CCH}$	Supply current, all outputs high		$V_{CC} = 5.5\text{ V}$ , No load, $V_{IH} = 2\text{ V}$		70	mA
			$V_{CC} = 5.95\text{ V}$ , No load, $V_{IH} = 2\text{ V}$		80	
$I_{CCL}$	Supply current, Y outputs low		$V_{CC} = 5.5\text{ V}$ , No load, $V_{IL} = 0.8\text{ V}$		55	mA
			$V_{CC} = 5.95\text{ V}$ , No load, $V_{IL} = 0.8\text{ V}$		70	



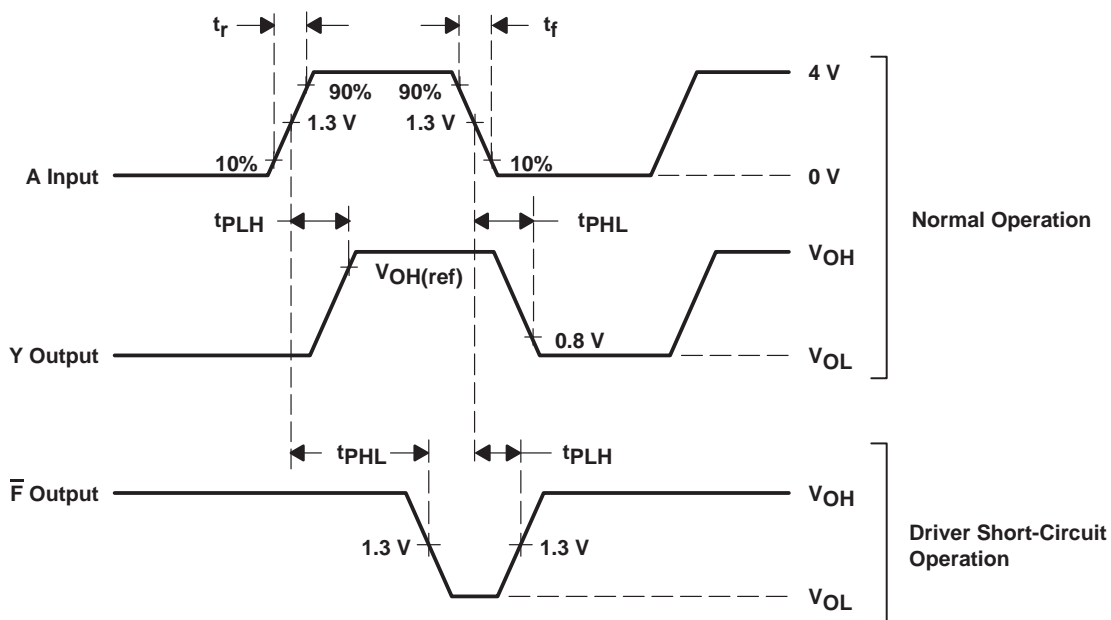
# SN75126 QUADRUPLE LINE DRIVER

SLLS060B – FEBRUARY 1990 – REVISED MAY 1995

## switching characteristics at $T_A = 25^\circ\text{C}$

PARAMETER	FROM (INPUT)	TO (OUTPUT)	TEST CONDITIONS	MIN	MAX	UNIT
$t_{PLH}$ Propagation delay time, low- to high-level output	A	Y	$V_{CC} = 4.5\text{ V to } 5.5\text{ V}$ , $R_L = 50\ \Omega$ , $C_L = 50\text{ pF}$ , $V_{OH(ref)} = 3.11\text{ V}$ , See Figures 1 and 2		40	ns
$t_{PHL}$ Propagation delay time, high- to low-level output					37	ns
$\frac{t_{PLH}}{t_{PHL}}$ Ratio of propagation delay times					0.3	3
$t_{PLH}$ Propagation delay time, low- to high-level output	A	Y	$V_{CC} = 5.25\text{ V to } 5.95\text{ V}$ , $R_L = 90\ \Omega$ , $C_L = 50\text{ pF}$ , $V_{OH(ref)} = 3.9\text{ V}$ , See Figures 1 and 2		45	ns
$t_{PHL}$ Propagation delay time, high- to low-level output					45	ns
$t_{PLH}$ Propagation delay time, low- to high-level output	A	$\bar{F}$	$V_{CC} = 5\text{ V}$ , $C_L = 15\text{ pF}$ , $R_L = 2\text{ k}\Omega$ , See Figures 1 and 2		60	ns
$t_{PHL}$ Propagation delay time, high- to low-level output					100	ns

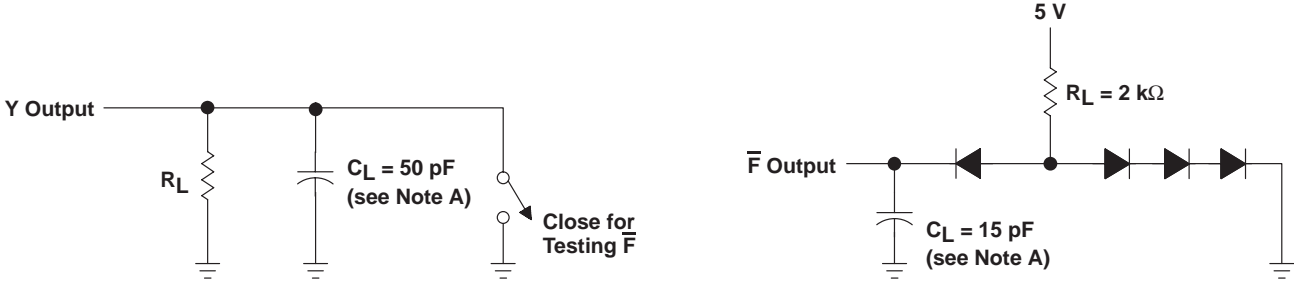
### PARAMETER MEASUREMENT INFORMATION



NOTE: The input pulse is supplied by a generator having the following characteristics:  $PRR \leq 1\text{ MHz}$ , duty cycle  $\leq 50\%$ ,  $t_r \leq 6\text{ ns}$ ,  $t_f \leq 6\text{ ns}$ ,  $Z_O \approx 50\ \Omega$ .

Figure 1. Input and Output Voltage Waveforms

PARAMETER MEASUREMENT INFORMATION



NOTE A:  $C_L$  includes probe and stray capacitance.

Figure 2. Switching Characteristics Load Circuits



**PACKAGING INFORMATION**

Orderable Device	Status <sup>(1)</sup>	Package Type	Package Drawing	Pins	Package Qty	Eco Plan <sup>(2)</sup>	Lead/Ball Finish	MSL Peak Temp <sup>(3)</sup>
SN75126N	OBSOLETE	PDIP	N	16		TBD	Call TI	Call TI

<sup>(1)</sup> The marketing status values are defined as follows:

**ACTIVE:** Product device recommended for new designs.

**LIFEBUY:** TI has announced that the device will be discontinued, and a lifetime-buy period is in effect.

**NRND:** Not recommended for new designs. Device is in production to support existing customers, but TI does not recommend using this part in a new design.

**PREVIEW:** Device has been announced but is not in production. Samples may or may not be available.

**OBSOLETE:** TI has discontinued the production of the device.

<sup>(2)</sup> Eco Plan - The planned eco-friendly classification: Pb-Free (RoHS) or Green (RoHS & no Sb/Br) - please check <http://www.ti.com/productcontent> for the latest availability information and additional product content details.

**TBD:** The Pb-Free/Green conversion plan has not been defined.

**Pb-Free (RoHS):** TI's terms "Lead-Free" or "Pb-Free" mean semiconductor products that are compatible with the current RoHS requirements for all 6 substances, including the requirement that lead not exceed 0.1% by weight in homogeneous materials. Where designed to be soldered at high temperatures, TI Pb-Free products are suitable for use in specified lead-free processes.

**Green (RoHS & no Sb/Br):** TI defines "Green" to mean Pb-Free (RoHS compatible), and free of Bromine (Br) and Antimony (Sb) based flame retardants (Br or Sb do not exceed 0.1% by weight in homogeneous material)

<sup>(3)</sup> MSL, Peak Temp. -- The Moisture Sensitivity Level rating according to the JEDEC industry standard classifications, and peak solder temperature.

**Important Information and Disclaimer:**The information provided on this page represents TI's knowledge and belief as of the date that it is provided. TI bases its knowledge and belief on information provided by third parties, and makes no representation or warranty as to the accuracy of such information. Efforts are underway to better integrate information from third parties. TI has taken and continues to take reasonable steps to provide representative and accurate information but may not have conducted destructive testing or chemical analysis on incoming materials and chemicals. TI and TI suppliers consider certain information to be proprietary, and thus CAS numbers and other limited information may not be available for release.

In no event shall TI's liability arising out of such information exceed the total purchase price of the TI part(s) at issue in this document sold by TI to Customer on an annual basis.

N (R-PDIP-T\*\*)

PLASTIC DUAL-IN-LINE PACKAGE

16 PINS SHOWN



- NOTES:
- A. All linear dimensions are in inches (millimeters).
  - B. This drawing is subject to change without notice.
  - Falls within JEDEC MS-001, except 18 and 20 pin minimum body length (Dim A).
  - The 20 pin end lead shoulder width is a vendor option, either half or full width.



## IMPORTANT NOTICE

Texas Instruments Incorporated and its subsidiaries (TI) reserve the right to make corrections, modifications, enhancements, improvements, and other changes to its products and services at any time and to discontinue any product or service without notice. Customers should obtain the latest relevant information before placing orders and should verify that such information is current and complete. All products are sold subject to TI's terms and conditions of sale supplied at the time of order acknowledgment.

TI warrants performance of its hardware products to the specifications applicable at the time of sale in accordance with TI's standard warranty. Testing and other quality control techniques are used to the extent TI deems necessary to support this warranty. Except where mandated by government requirements, testing of all parameters of each product is not necessarily performed.

TI assumes no liability for applications assistance or customer product design. Customers are responsible for their products and applications using TI components. To minimize the risks associated with customer products and applications, customers should provide adequate design and operating safeguards.

TI does not warrant or represent that any license, either express or implied, is granted under any TI patent right, copyright, mask work right, or other TI intellectual property right relating to any combination, machine, or process in which TI products or services are used. Information published by TI regarding third-party products or services does not constitute a license from TI to use such products or services or a warranty or endorsement thereof. Use of such information may require a license from a third party under the patents or other intellectual property of the third party, or a license from TI under the patents or other intellectual property of TI.

Reproduction of TI information in TI data books or data sheets is permissible only if reproduction is without alteration and is accompanied by all associated warranties, conditions, limitations, and notices. Reproduction of this information with alteration is an unfair and deceptive business practice. TI is not responsible or liable for such altered documentation. Information of third parties may be subject to additional restrictions.

Resale of TI products or services with statements different from or beyond the parameters stated by TI for that product or service voids all express and any implied warranties for the associated TI product or service and is an unfair and deceptive business practice. TI is not responsible or liable for any such statements.

TI products are not authorized for use in safety-critical applications (such as life support) where a failure of the TI product would reasonably be expected to cause severe personal injury or death, unless officers of the parties have executed an agreement specifically governing such use. Buyers represent that they have all necessary expertise in the safety and regulatory ramifications of their applications, and acknowledge and agree that they are solely responsible for all legal, regulatory and safety-related requirements concerning their products and any use of TI products in such safety-critical applications, notwithstanding any applications-related information or support that may be provided by TI. Further, Buyers must fully indemnify TI and its representatives against any damages arising out of the use of TI products in such safety-critical applications.

TI products are neither designed nor intended for use in military/aerospace applications or environments unless the TI products are specifically designated by TI as military-grade or "enhanced plastic." Only products designated by TI as military-grade meet military specifications. Buyers acknowledge and agree that any such use of TI products which TI has not designated as military-grade is solely at the Buyer's risk, and that they are solely responsible for compliance with all legal and regulatory requirements in connection with such use.

TI products are neither designed nor intended for use in automotive applications or environments unless the specific TI products are designated by TI as compliant with ISO/TS 16949 requirements. Buyers acknowledge and agree that, if they use any non-designated products in automotive applications, TI will not be responsible for any failure to meet such requirements.

Following are URLs where you can obtain information on other Texas Instruments products and application solutions:

### Products

Amplifiers	<a href="http://amplifier.ti.com">amplifier.ti.com</a>
Data Converters	<a href="http://dataconverter.ti.com">dataconverter.ti.com</a>
DSP	<a href="http://dsp.ti.com">dsp.ti.com</a>
Clocks and Timers	<a href="http://www.ti.com/clocks">www.ti.com/clocks</a>
Interface	<a href="http://interface.ti.com">interface.ti.com</a>
Logic	<a href="http://logic.ti.com">logic.ti.com</a>
Power Mgmt	<a href="http://power.ti.com">power.ti.com</a>
Microcontrollers	<a href="http://microcontroller.ti.com">microcontroller.ti.com</a>
RFID	<a href="http://www.ti-rfid.com">www.ti-rfid.com</a>
RF/IF and ZigBee® Solutions	<a href="http://www.ti.com/lprf">www.ti.com/lprf</a>

### Applications

Audio	<a href="http://www.ti.com/audio">www.ti.com/audio</a>
Automotive	<a href="http://www.ti.com/automotive">www.ti.com/automotive</a>
Broadband	<a href="http://www.ti.com/broadband">www.ti.com/broadband</a>
Digital Control	<a href="http://www.ti.com/digitalcontrol">www.ti.com/digitalcontrol</a>
Medical	<a href="http://www.ti.com/medical">www.ti.com/medical</a>
Military	<a href="http://www.ti.com/military">www.ti.com/military</a>
Optical Networking	<a href="http://www.ti.com/opticalnetwork">www.ti.com/opticalnetwork</a>
Security	<a href="http://www.ti.com/security">www.ti.com/security</a>
Telephony	<a href="http://www.ti.com/telephony">www.ti.com/telephony</a>
Video & Imaging	<a href="http://www.ti.com/video">www.ti.com/video</a>
Wireless	<a href="http://www.ti.com/wireless">www.ti.com/wireless</a>

Mailing Address: Texas Instruments, Post Office Box 655303, Dallas, Texas 75265  
Copyright © 2008, Texas Instruments Incorporated