



U74LVC3G14

CMOS IC

TRIPLE SCHMITT-TRIGGER INVERTER

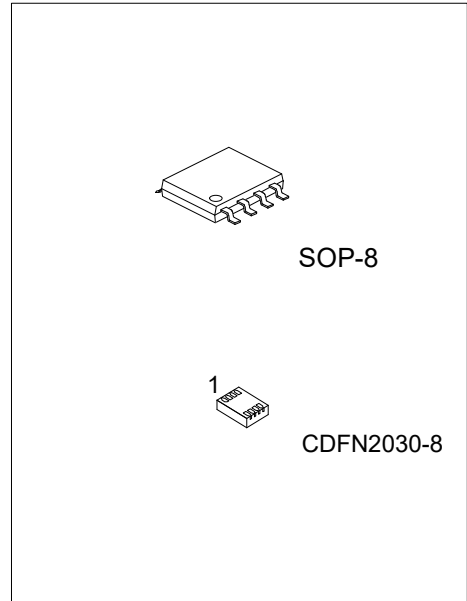
DESCRIPTION

The **U74LVC3G14** is designed as three independent Inverters with Schmitt-trigger action. it may have different input threshold levels for positive-going (V_{T+}) and negative-going (V_{T-}) signals.

This device has power-down protective circuit, preventing device destruction when it is powered down.

FEATURES

- * Wide supply voltage range from 1.65V to 5.5V
- * Inputs accept voltages up to 5.5V
- * I_{OFF} supports partial-power-down mode
- * Low static power consumption; $I_{CC}=10\mu A$ (Max.)



ORDERING INFORMATION

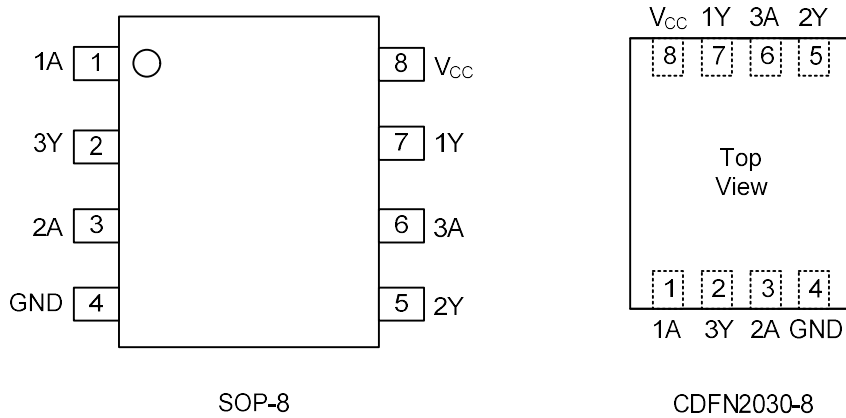
Ordering Number		Package	Packing
Lead Free	Halogen Free		
U74LVC3G14L-S08-R	U74LVC3G14G-S08-R	SOP-8	Tape Reel
U74LVC3G14L-CK08-2030-R	U74LVC3G14G-CK08-2030-R	CDFN2030-8	Tape Reel

<p>U74LVC3G14G-S08-R</p> <ul style="list-style-type: none"> (1) Packing Type (2) Package Type (3) Green Package 	<ul style="list-style-type: none"> (1) R: Tape Reel (2) S08: SOP-8, CK08-2030: CDFN2030-8 (3) G: Halogen Free and Lead Free, L: Lead Free
--	--

MARKING

SOP-8	CDFN2030-8
<p>Marking diagram for SOP-8 package showing pin numbers 1-8 and marking locations for UTC, LVC3G14, Date Code, Lot Code, and Halogen/Lead Free indicators.</p>	<p>Marking diagram for CDFN2030-8 package showing marking locations for LVC3G14 and Date Code.</p>

■ PIN CONFIGURATION

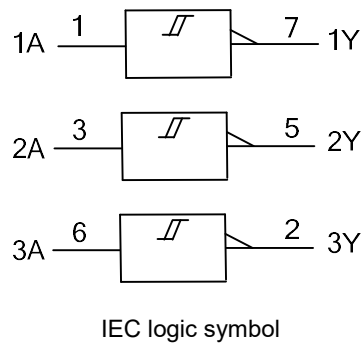
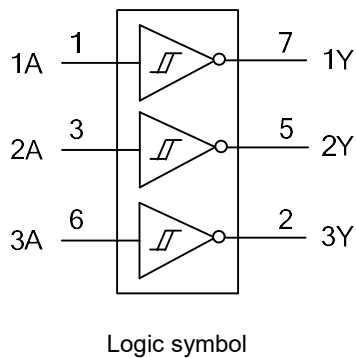


■ FUNCTION TABLE

INPUT(A)	OUTPUT(Y)
H	L
L	H

Note: H: High voltage level; L: Low voltage level.

■ LOGIC DIAGRAM (positive logic)



■ ABSOLUTE MAXIMUM RATING (T_A=25°C, unless otherwise specified)

PARAMETER	SYMBOL	CONDITIONS	RATINGS	UNIT
Supply Voltage	V _{CC}		-0.5 ~ +6.5	V
Input Voltage	V _{IN}		-0.5 ~ +6.5	V
Output Voltage	V _{OUT}	Output in the high or low state	-0.5 ~ +V _{CC} +0.5	V
		Output in the power-off state	-0.5 ~ +6.5	V
Continuous V _{CC} or GND Current	I _{CC}		±100	mA
Continuous Output Current	I _{OUT}	V _{OUT} =0V ~ V _{CC}	±50	mA
Input Clamp Current	I _{IK}	V _{IN} <0V	-50	mA
Output Clamp Current	I _{OK}	V _{OUT} >V _{CC} or V _{OUT} <0V	-50	mA
Junction Temperature	T _J		+150	°C
Storage Temperature Range	T _{STG}		-65 ~ +150	°C

Note: Absolute maximum ratings are those values beyond which the device could be permanently damaged. Absolute maximum ratings are stress ratings only and functional device operation is not implied.

■ THERMAL DATA

PARAMETER	SYMBOL	RATING	UNIT
Junction to Ambient	SOP-8	150	°C/W
	CDFN2030-8	230	°C/W

■ RECOMMENDED OPERATING CONDITIONS

PARAMETER	SYMBOL	TEST CONDITIONS	MIN	TYP	MAX	UNIT
Supply Voltage	V _{CC}	Operating	1.65		5.5	V
		Data retention only	1.5			V
Input Voltage	V _{IN}		0		5.5	V
Output Voltage	V _{OUT}	High or low state	0		V _{CC}	V
Operating Temperature (Note)	T _A		-40		+125	°C

Note: This condition is only determined from design. It can't be 100% tested in mass production.

■ ELECTRICAL CHARACTERISTICS (T_A=25°C, unless otherwise specified)

PARAMETER	SYMBOL	TEST CONDITIONS	MIN	TYP	MAX	UNIT
Positive-Going Input Threshold Voltage	V _{T+}	V _{CC} =1.65V	0.7		1.4	V
		V _{CC} =2.3V	1		1.7	V
		V _{CC} =3V	1.3		2.2	V
		V _{CC} =4.5V	1.9		3.1	V
		V _{CC} =5.5V	2.2		3.7	V
Negative-Going Input Threshold Voltage	V _{T-}	V _{CC} =1.65V	0.3		0.7	V
		V _{CC} =2.3V	0.4		1.1	V
		V _{CC} =3V	0.6		1.3	V
		V _{CC} =4.5V	1.1		2	V
		V _{CC} =5.5V	1.4		2.5	V
Hysteresis Voltage (V _{T+} -V _{T-})	ΔV _T	V _{CC} =1.65V	0.3		0.8	V
		V _{CC} =2.3V	0.4		0.9	V
		V _{CC} =3V	0.4		1.1	V
		V _{CC} =4.5V	0.6		1.3	V
		V _{CC} =5.5V	0.7		1.4	V

■ ELECTRICAL CHARACTERISTICS (Cont.)

PARAMETER	SYMBOL	TEST CONDITIONS	MIN	TYP	MAX	UNIT	
High-Level Output Voltage	V_{OH}	$V_{CC}=1.65 \sim 4.5V, I_{OH}=-100\mu A$	$V_{CC}-0.1$			V	
		$V_{CC}=1.65V, I_{OH}=-4mA$	1.2			V	
		$V_{CC}=2.3V, I_{OH}=-8mA$	1.9			V	
		$V_{CC}=3V$	$I_{OH}=-16mA$	2.4			V
			$I_{OH}=-24mA$	2.3			V
$V_{CC}=4.5V, I_{OH}=-32mA$	3.8				V		
Low-Level Output Voltage	V_{OL}	$V_{CC}=1.65 \sim 4.5V, I_{OL}=100\mu A$			0.1	V	
		$V_{CC}=1.65V, I_{OL}=4mA$			0.45	V	
		$V_{CC}=2.3V, I_{OL}=8mA$			0.3	V	
		$V_{CC}=3V$	$I_{OL}=16mA$			0.4	V
			$I_{OL}=24mA$			0.55	V
$V_{CC}=4.5V, I_{OL}=32mA$				0.55	V		
Input Leakage Current	$I_{I(LEAK)}$	$V_{CC}=0 \sim 5.5V, V_{IN}=5.5V$ or GND			± 5	μA	
Power OFF Leakage Current	I_{OFF}	$V_{CC}=0V, V_{IN}$ or $V_{OUT}=5.5V$			± 10	μA	
Quiescent Supply Current	I_{CC}	$V_{CC}=1.65 \sim 5.5V, V_{IN}=V_{CC}$ or GND, $I_{OUT}=0A$			10	μA	
Additional Quiescent Supply Current Per Input Pin	ΔI_{CC}	$V_{CC}=3 \sim 5.5V$, One input at $V_{CC}-0.6V$, Other inputs at V_{CC} or GND			500	μA	
Input Capacitance	C_I	$V_{CC}=3.3V, V_{IN}=V_{CC}$ or GND		4.5		pF	

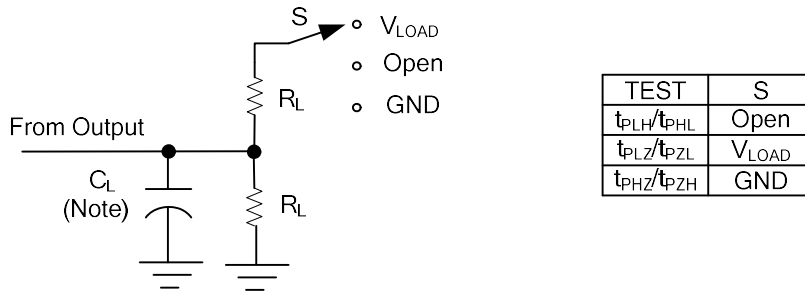
■ DYNAMIC CHARACTERISTICS ($T_A=25^\circ C$, unless otherwise specified)

PARAMETER	SYMBOL	TEST CONDITIONS	MIN	TYP	MAX	UNIT
Propagation delay from input (A) to output(Y)	t_{PD}	$V_{CC}=1.8\pm 0.15V, C_L=30pF, R_L=1k\Omega$	3.9		9.2	ns
		$V_{CC}=2.5\pm 0.2V, C_L=30pF, R_L=500\Omega$	1.9		5.7	ns
		$V_{CC}=3.3\pm 0.3V, C_L=50pF, R_L=500\Omega$	2.3		5.4	ns
		$V_{CC}=5\pm 0.5V, C_L=50pF, R_L=500\Omega$	1.5		4.3	ns

■ OPERATING CHARACTERISTICS ($f=10MHz, T_A=25^\circ C$, unless otherwise specified)

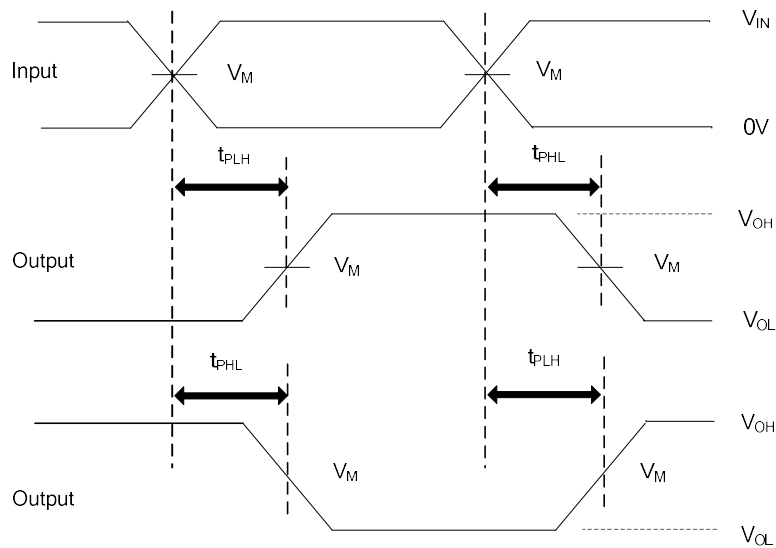
PARAMETER	SYMBOL	TEST CONDITIONS	MIN	TYP	MAX	UNIT
Power Dissipation Capacitance	C_{PD}	$V_{CC}=1.8V$		17		pF
		$V_{CC}=2.5V$		18		pF
		$V_{CC}=3.3V$		19		pF
		$V_{CC}=5V$		22		pF

TEST CIRCUIT AND WAVEFORMS



Note: C_L includes probe and jig capacitance.

V_{CC}	Inputs		V_M	V_{LOAD}	C_L	R_L	V_{Δ}
	V_{IN}	t_R, t_F					
$1.8V \pm 0.15V$	V_{CC}	$\leq 2ns$	$V_{CC}/2$	$2 \times V_{CC}$	30pF	1K Ω	0.15V
$2.5V \pm 0.2V$	V_{CC}	$\leq 2ns$	$V_{CC}/2$	$2 \times V_{CC}$	30pF	500 Ω	0.15V
$3.3V \pm 0.3V$	3V	$\leq 2.5ns$	1.5V	6V	50pF	500 Ω	0.3V
$5V \pm 0.5V$	V_{CC}	$\leq 2.5ns$	$V_{CC}/2$	$2 \times V_{CC}$	50pF	500 Ω	0.3V



PROPAGATION DELAY TIMES

- Notes: 1. C_L includes probe and jig capacitance.
- 2. All input pulses are supplied by generators having the following characteristics: PRR $\leq 10MHz$, $Z_O = 50\Omega$.

UTC assumes no responsibility for equipment failures that result from using products at values that exceed, even momentarily, rated values (such as maximum ratings, operating condition ranges, or other parameters) listed in products specifications of any and all UTC products described or contained herein. UTC products are not designed for use in life support appliances, devices or systems where malfunction of these products can be reasonably expected to result in personal injury. Reproduction in whole or in part is prohibited without the prior written consent of the copyright owner. UTC reserves the right to make changes to information published in this document, including without limitation specifications and product descriptions, at any time and without notice. This document supersedes and replaces all information supplied prior to the publication hereof.