

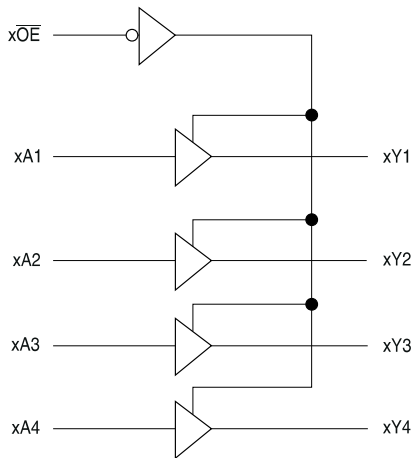
Features

- Fastest Propagation Speeds in the Industry $T_{PD} (F \text{ grade}) = 2.5 \text{ ns}$, $T_{PD} (G \text{ grade}) = 2.0 \text{ ns}$
- Maximum derating for capacitive loads $1.5\text{ns}/100 \text{ pF}$ (F grade) and $1.1 \text{ ns}/100 \text{ pF}$ (G grade)
- Very low ground bounce $< 0.6\text{V}$ @ $V_{CC}=5.00 \text{ V}$, $T_a=25^\circ\text{C}$
- Excellent noise rejection
- Typical output skew $\leq 0.25\text{ns}$
- Bus Hold circuitry to retain last active state during Tri-State™
- Available in SSOP and TSSOP packages

Description

Atmel's Fast Logic 16-Bit Buffer/Line driver provides bus interface and signal buffering at the fastest speeds available in the industry. The Tri-state outputs can be set for either 4-bit, 8-bit, or 16-bit independent operation. The AT16244 also has bus-hold circuitry which retains the last state of the input whenever a high impedance level is detected, and eliminates the need for pull-up or pull-down resistors. Minimal ground bounce and high input noise rejection make this device excellent for use in all high speed interface applications.

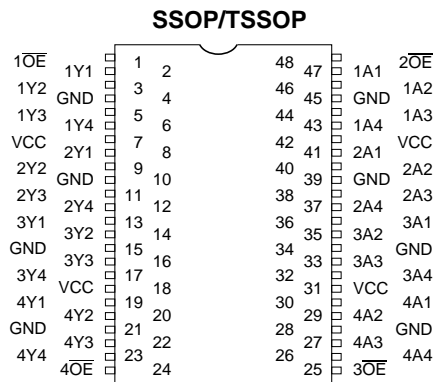
Functional Block Diagram ⁽¹⁾



Note: 1. The function shown is repeated 3 additional times on each device.

Pin Configurations

Pin Names	Descriptions
\overline{xOE}	Output Enable Input (Active Low)
xA_χ	Data Inputs
xY_χ	Tri-State Outputs



Top View

AT16244 Fast Logic™ 16-Bit Buffer/Line Driver

AT16244F
AT16244G

Function Table⁽¹⁾

Inputs		Outputs
\overline{xOE}	$xA\chi$	$xY\chi$
L	L	L
L	H	H
H	X	Z

Note: 1. X = Don't Care, Z = High Impedance

Absolute Maximum Ratings*

Operating Temperature	0°C to +70°C
Storage Temperature	-65°C to +150°C
Voltage on any Pin with Respect to Ground.....	-2.0V to +7.0V ⁽¹⁾
Maximum Operating Voltage.....	6.0V

*NOTICE: Stresses beyond those listed under “Absolute Maximum Ratings” may cause permanent damage to the device. This is a stress rating only and functional operation of the device at these or any other conditions beyond those indicated in the operational sections of this specification is not implied. Exposure to absolute maximum rating conditions for extended periods may affect device reliability.

Notes: 1. Minimum voltage is -0.6V dc which may undershoot to -2.0V for pulses of less than 20 ns. Maximum output pin voltage is $V_{CC} + 0.75V$ dc which may overshoot to +7.0V for pulses of less than 20 ns.

5.0 Volt DC Characteristics

Applicable over recommended operating range from $T_a = 0^\circ\text{C}$ to $+70^\circ\text{C}$, $V_{CC} = +5.0V \pm 5\%$ (unless otherwise noted)

Symbol	Parameter	Test Conditions	Min	Typ	Max	Units
ΔI_{CC}	Quiescent Power Supply Current	$V_{CC} = \text{Max}, V_{IN} = 3.4V$		0.8	1.2	mA
V_{IH}	Input High Voltage		2.0			V
V_{IL}	Input Low Voltage				0.8	V
I_{IH}	Input High Current (I/O Pins)	$V_{IN} = V_{CC}$			± 15	μA
I_{IL}	Input Low Current (I/O Pins)	$V_{IN} = \text{GND}$			± 15	μA
I_{OZ}	Output Leakage Current				± 10	mA
$V_{OH(1)}$	Output High Voltage F Grade only	$V_{CC} = 4.75V$ $I_{OH} = -10 \text{ mA}$	2.7			V
$V_{OH(2)}$	Output High Voltage G Grade only	$V_{CC} = 4.75V$ $I_{OH} = -12 \text{ mA}$	2.7			V
V_{OL}	Output Low Voltage (F Grade)	$I_{OL} = 10 \text{ mA}$			0.55	V
V_{OL}	Output Low Voltage (G Grade)	$I_{OL} = 12 \text{ mA}$			0.55	V

Note: 1. F grade: At $V_{CC(\text{max})}$, the value of $V_{OH(\text{max})} = 3.75V$ and at $V_{CC(\text{min})}$, $V_{OH(\text{max})} = 3.25V$
 2. G grade: At $V_{CC(\text{max})}$, the value of $V_{OH(\text{max})} = 3.75V$ and at $V_{CC(\text{min})}$, $V_{OH(\text{max})} = 3.35V$

AC Characteristics AT16244F

Applicable over recommended operating range from $T_a = 0^\circ\text{C}$ to $+70^\circ\text{C}$, $V_{CC} = 5.0\text{V} \pm 5\%$ (unless otherwise noted)

Symbol	Parameter	Test Conditions	Min	Typ	Max	Units
t_{PHL} t_{PLH}	Propagation Delay	$CL = 50\text{ pF}$			2.5	ns
t_{PZH} t_{PZL}	Output Enable Time	$CL = 50\text{ pF}$			5.5	ns
t_{PHZ} t_{PLZ}	Output Disable Time	$CL = 50\text{ pF}$			6.0	ns
$t_{SK}^{(1)}$	Output Skew	$CL = 50\text{ pF}$			0.5	ns
$\Delta t_{PHL}^{(1)}$ Δt_{PLH}	Propagation Delay vs Output Loading			1.3	1.5	ns/100 pF

Note: 1. This parameter is guaranteed but not 100% tested.

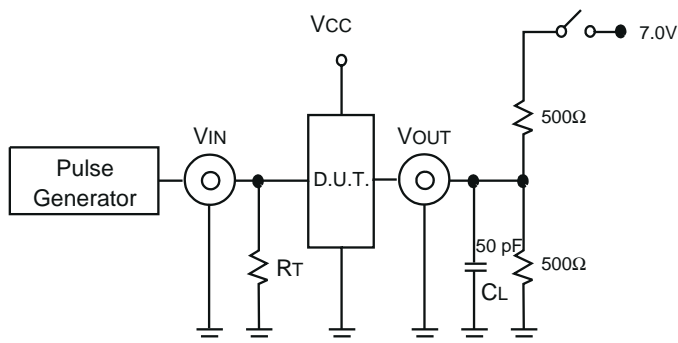
AT16244G

Applicable over recommended operating range from $T_a = 0^\circ\text{C}$ to $+70^\circ\text{C}$, $V_{CC} = 5.0\text{V} \pm 5\%$ (unless otherwise noted)

Symbol	Parameter	Test Conditions	Min	Typ	Max	Units
t_{PHL} t_{PLH}	Propagation Delay	$CL = 50\text{ pF}$			2.0	ns
t_{PZH} t_{PZL}	Output Enable Time	$CL = 50\text{ pF}$			5.5	ns
t_{PHZ} t_{PLZ}	Output Disable Time	$CL = 50\text{ pF}$			5.0	ns
$t_{SK}^{(1)}$	Output Skew	$CL = 50\text{ pF}$			0.5	ns
$\Delta t_{PHL}^{(1)}$ Δt_{PLH}	Propagation Delay vs Output Loading			0.9	1.1	ns/100 pF

Note: 1. This parameter is guaranteed but not 100% tested.

Test Circuits^(1,2)



- Note:
1. Pulse Generator: Rate $\leq 1.0\text{ MHz}$, $t_f \leq 2.5\text{ ns}$, $t_r \leq 2.5\text{ ns}$.
 2. AC tests are done with a single bit switching, and timings need to be derated when multiple outputs are switching in the same direction simultaneously. This derating should not exceed 0.5 ns for 16 inputs switching simultaneously.

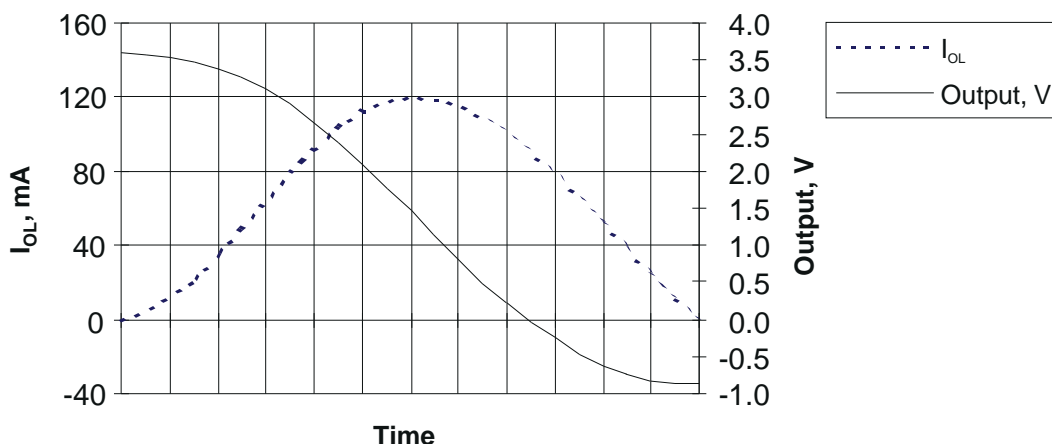
Switch Position

Test	Switch
Open Drain Disable Low Enable Low	Closed
All Other Tests	Open

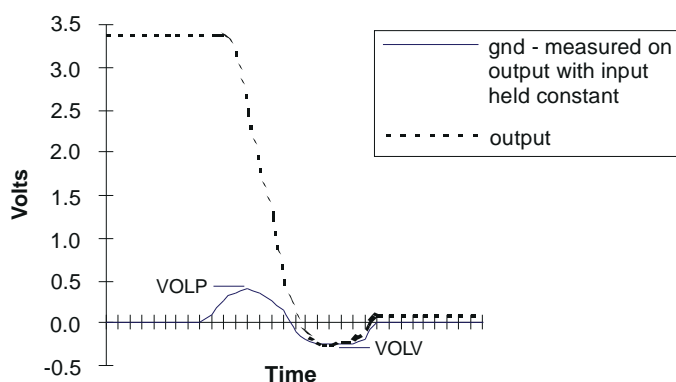
Definitions:

C_L = Load capacitance; Includes jig and probe capacitance.
 R_T = Termination resistance; Should be equal to Z_{OUT} of the Pulse Generator.

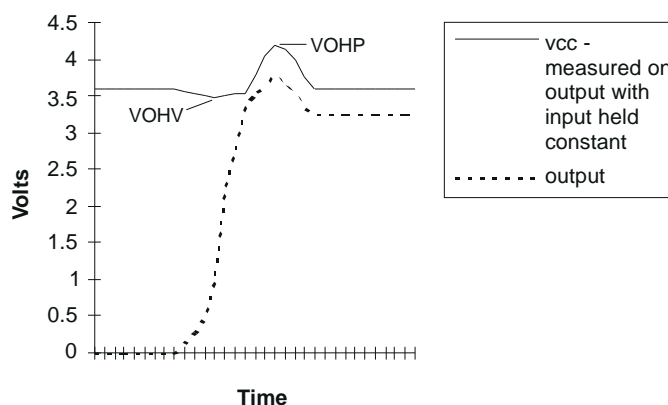
IOL Pull Down Current



Ground Bounce for High to Low Transitions⁽¹⁾



Supply Bounce for Low to High Transitions⁽²⁾

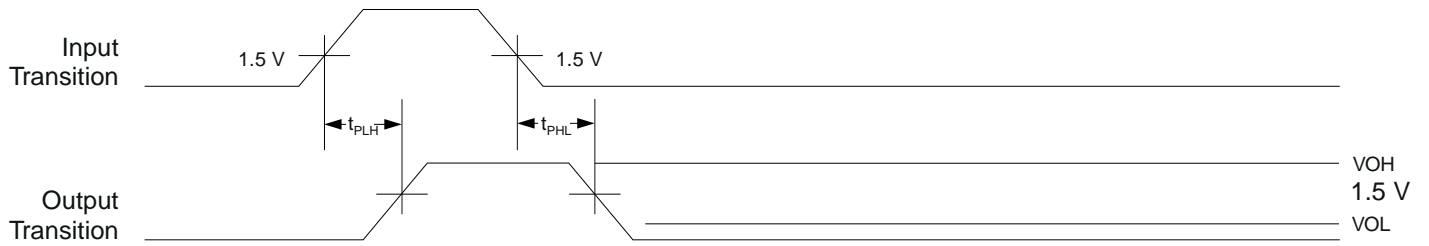


Typical Values

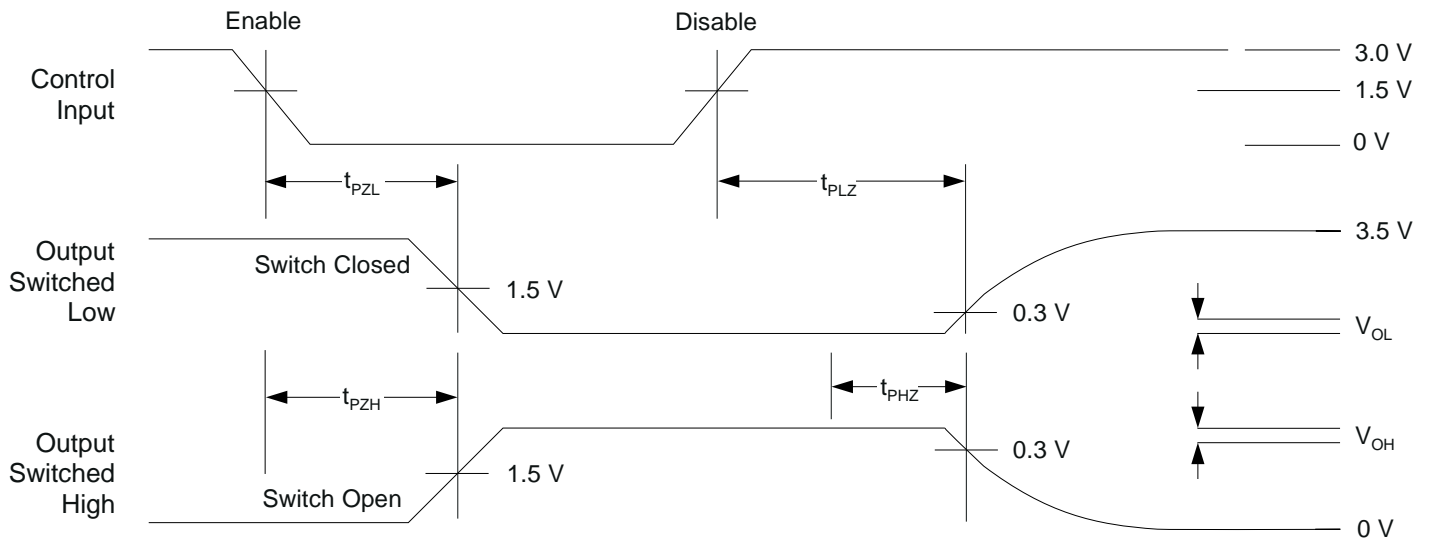
Parameter	Value	Units
V_{OLP}	0.4	V
V_{OLV}	-0.26	V
V_{OHV}	$V_{CC} - 0.13$	V
V_{OHP}	$V_{CC} + 0.6$	V

- Note:
1. When multiple outputs are switched at the same time, rapidly changing current on the ground and V_{CC} paths causes a voltage to develop across the parasitic inductance of the wire bond and package pins. This occurrence is called simultaneous switching noise. Atmel's AT16244 products have minimized this phenomenon as shown on the graph. Output data is for 15 outputs switching simultaneously at a frequency of 1 MHz. The ground data is measured on the one remaining output, which is set to logic low and will reflect any device ground movement.
 2. As on the graph for Ground Bounce, a similar condition occurs for low to high transitions. Output data is for 15 outputs switching simultaneously at a frequency of 1 MHz. V_{CC} droop is measured on the one remaining output pin, which is set to a logic high. This output will reflect any movement on the device V_{CC} .

Propagation Delay Waveforms



Enable and Disable Waveforms





Ordering Information

T_{PD}	Ordering Code	Package	Operation Range
2.5 ns	AT16244F - 25YC AT16244F - 25XC	48Y 48X	Commercial
2.0 ns	AT16244G - 20YC AT16244G - 20XC	48Y 48X	Commercial

Package Type	
48X	48 Pin, Plastic Thin Shrink Small Outline Package (TSSOP)
48Y	48 Pin, Plastic Shrink Small Outline Package (SSOP)