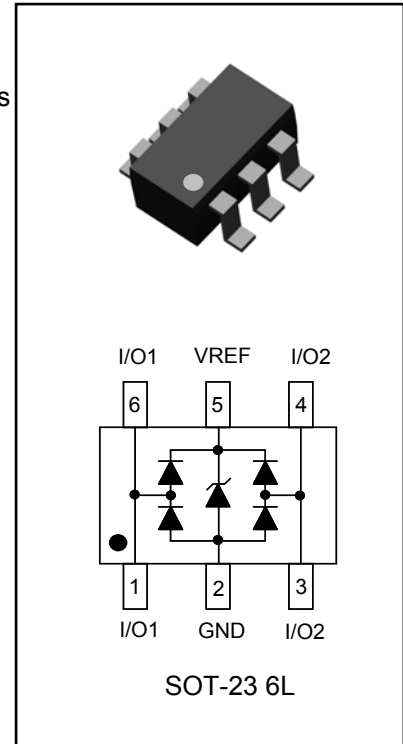


Low Capacitance TVS and Diode Array

This diode array is configured to protect up to two data transmission lines acting as a line terminator, minimizing overshoot and undershoot conditions due to bus impedance as well as protect against over-voltage events as electrostatic discharges. Additionally the TVS Device offers overvoltage transient protection between the operating voltage bus and ground plane.

SPECIFICATION FEATURES

- Peak Power Dissipation of 350W 8/20 μ s
- Maximum Capacitance of 4.0pF at 0Vdc 1MHz Line-to-Ground
- Maximum Leakage Current of 5 μ A @ VRWM
- Industry Standard SMT Package SOT-23 6L
- IEC61000-4-2, IEC61000-4-4 and IEC61000-4-5 Full Compliance
- 100% Tin Matte finish (LEAD-FREE PRODUCT)
- Lead free in compliance with EU RoHS 2011/65/EU directive
- Green molding compound as per IEC61249 Std. . (Halogen Free)
- Marking code:602



APPLICATIONS

- USB 2.0 and Firewire Port Protection
- LAN/WLAN Access Point terminals
- Video Signal line protection
- I²C Bus Protection



MAXIMUM RATINGS $T_j = 25^\circ\text{C}$ Unless otherwise noted

Rating	Symbol	Value	Units
Peak Pulse Power (8/20 μ s Waveform)	P_{PPM}	350	W
Peak Pulse Current (8/20 μ s Waveform)	I_{PP}	17.5	A
Operating Junction Temperature Range	T_J	-55 to +125	$^\circ\text{C}$
Storage Temperature Range	T_{stg}	-55 to +150	$^\circ\text{C}$
Soldering Temperature, t max = 10s	T_L	260	$^\circ\text{C}$

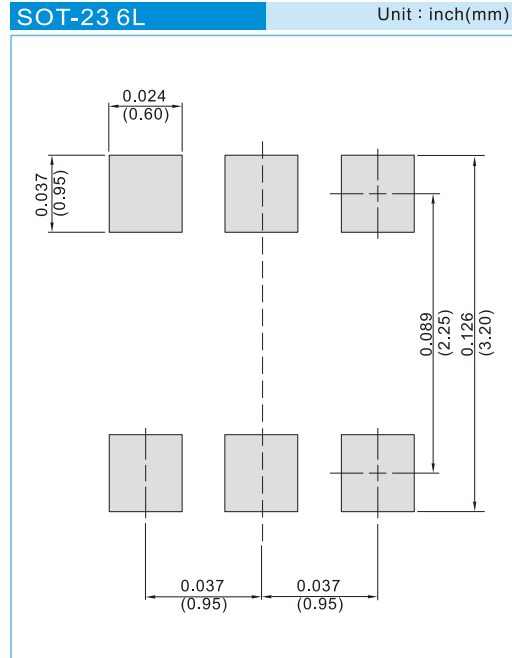
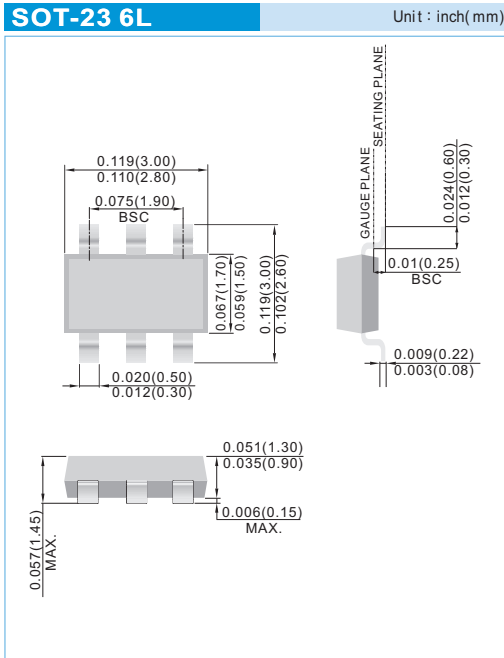


ELECTRICAL CHARACTERISTICS Tj = 25°C unless otherwise noted

Parameter	Symbol	Conditions	Min	Typical	Max	Units
Reverse Stand-Off Voltage	V_{WRM}				5	V
Reverse Breakdown Voltage	V_{BR}	$I_{BR} = 1mA$	6.2			V
Reverse Leakage Current	I_R	$V_R = 5V$			5	μA
Clamping Voltage (8/20 μs)	V_c	$I_{pp} = 1A$			9.5	V
Clamping Voltage (8/20 μs)	V_c	$I_{pp} = 10A$			12	V
Clamping Voltage (8/20 μs)	V_c	$I_{pp} = 17.5A$			20	V
Off State Junction Capacitance	C_j	0 Vdc Bias f = 1MHz Between I/O pins and GND			4.0	pF
		0 Vdc Bias f = 1MHz Between I/O pins			2.5	pF



PACKAGE DIMENSIONS





Part No_packing code_Version

PJUSBLC6-2_R1_00001

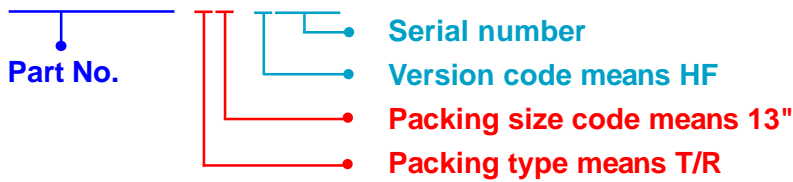
PJUSBLC6-2_R2_00001

PJUSBLC6-2_S1_00001

PJUSBLC6-2_S2_00001

For example :

RB500V-40_R2_00001



Packing Code XX				Version Code XXXXX		
Packing type	1 st Code	Packing size code	2 nd Code	HF or RoHS	1 st Code	2 nd ~5 th Code
Tape and Ammunition Box (T/B)	A	N/A	0	HF	0	serial number
Tape and Reel (T/R)	R	7"	1	RoHS	1	serial number
Bulk Packing (B/P)	B	13"	2			
Tube Packing (T/P)	T	26mm	X			
Tape and Reel (Right Oriented) (TRR)	S	52mm	Y			
Tape and Reel (Left Oriented) (TRL)	L	PANASERT T/B CATHODE UP (PBCU)	U			
FORMING	F	PANASERT T/B CATHODE DOWN (PBCD)	D			



Disclaimer

- Reproducing and modifying information of the document is prohibited without permission from Panjit International Inc..
- Panjit International Inc. reserves the rights to make changes of the content herein the document anytime without notification. Please refer to our website for the latest document.
- Panjit International Inc. disclaims any and all liability arising out of the application or use of any product including damages incidentally and consequentially occurred.
- Panjit International Inc. does not assume any and all implied warranties, including warranties of fitness for particular purpose, non-infringement and merchantability.
- Applications shown on the herein document are examples of standard use and operation. Customers are responsible in comprehending the suitable use in particular applications. Panjit International Inc. makes no representation or warranty that such applications will be suitable for the specified use without further testing or modification.
- The products shown herein are not designed and authorized for equipments requiring high level of reliability or relating to human life and for any applications concerning life-saving or life-sustaining, such as medical instruments, transportation equipment, aerospace machinery et cetera. Customers using or selling these products for use in such applications do so at their own risk and agree to fully indemnify Panjit International Inc. for any damages resulting from such improper use or sale.
- Since Panjit uses lot number as the tracking base, please provide the lot number for tracking when complaining.