

OP07x 精密运算放大器

1 特性

- 低噪声
- 无需外部元件
- 以更低的成本更换斩波放大器
- 宽输入电压范围：
0V 至 $\pm 14V$ (典型值, $\pm 15V$ 电源)
- 宽电源电压范围： $\pm 3V$ 至 $\pm 18V$

2 应用

- 模拟输入模块
- 电池测试
- 实验室和现场仪表
- 温度变送器
- 商用网络和服务器 PSU

3 说明

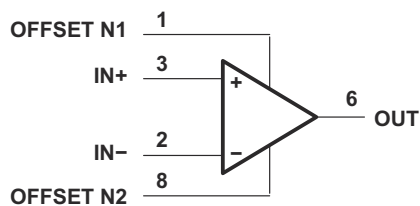
通过低噪声、无斩波、双极输入晶体管放大器电路，OP07C 和 OP07D (OP07x) 器件可提供低失调电压和长期稳定性。对于大多数应用，无需外部元件即可实现失调电压归零和频率补偿。真差分输入连同宽输入电压范围和出色的共模抑制能力，有助于在高噪声环境和同相应用中提供出色的灵活性和性能。在整个温度范围内，该类器件可维持低偏置电流和超高的输入阻抗。

要获得更高的性能和更宽的温度范围，请参阅下一代具有低功耗的 OPA207 和具有重容性负载驱动能力的 OPA202。

封装信息

| 器件型号 | 封装 ⁽¹⁾ | 封装尺寸 (标称值) |
|-------------|-------------------|-----------------|
| OP07C、OP07D | D (SOIC, 8) | 4.90mm × 3.91mm |
| | P (PDIP, 8) | 9.81mm × 6.35mm |
| | PS (SO, 8) | 6.20mm × 5.30mm |

(1) 如需了解所有可用封装和 OP07，请参阅数据表末尾的可订购产品附录。



简化版原理图



Table of Contents

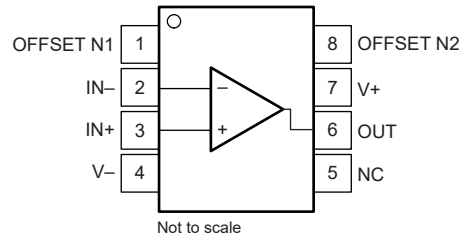
| | | | |
|---|----------|---|-----------|
| 1 特性..... | 1 | 7.3 Feature Description..... | 8 |
| 2 应用..... | 1 | 7.4 Device Functional Modes..... | 8 |
| 3 说明..... | 1 | 8 Application and Implementation..... | 9 |
| 4 Revision History..... | 2 | 8.1 Application Information..... | 9 |
| 5 Pin Configuration and Functions..... | 3 | 8.2 Typical Application..... | 9 |
| 6 Specifications..... | 4 | 8.3 Power Supply Recommendations..... | 10 |
| 6.1 Absolute Maximum Ratings..... | 4 | 8.4 Layout..... | 12 |
| 6.2 ESD Ratings..... | 4 | 9 Device and Documentation Support..... | 13 |
| 6.3 Recommended Operating Conditions..... | 4 | 9.1 接收文档更新通知..... | 13 |
| 6.4 Thermal Information..... | 4 | 9.2 支持资源..... | 13 |
| 6.5 Electrical Characteristics..... | 5 | 9.3 Trademarks..... | 13 |
| 6.6 Typical Characteristics..... | 7 | 9.4 静电放电警告..... | 13 |
| 7 Detailed Description..... | 8 | 9.5 术语表..... | 13 |
| 7.1 Overview..... | 8 | 10 Mechanical, Packaging, and Orderable Information..... | 13 |
| 7.2 Functional Block Diagram..... | 8 | | |

4 Revision History

注：以前版本的页码可能与当前版本的页码不同

| Changes from Revision G (November 2014) to Revision H (July 2022) | Page |
|--|-------------|
| • 向宽输入电压范围特性要点添加了电源条件..... | 1 |
| • Changed VCC ₊ to V ₊ and VCC ₋ to V ₋ | 3 |
| • Changed supply voltage abbreviation from VCC ₊ and VCC ₋ to V _S in <i>Absolute Maximum Ratings</i> and throughout the data sheet..... | 4 |
| • Changed note 5 in <i>Absolute Maximum Ratings</i> to include a note that fast-ramping shorts to the positive supply can damage the device..... | 4 |
| • Changed Electrostatic discharge Human-body model and Charged-device model from 1000 V to ±1000 V.... | 4 |
| • Added new values to <i>Thermal Information</i> | 4 |
| • Changed <i>Electrical Characteristics</i> format..... | 5 |
| • Changed parameter name from supply-voltage sensitivity to power supply rejection ratio in <i>Electrical Characteristics</i> | 5 |
| • Changed parameter name from input offset voltage to Input voltage noise density in <i>Electrical Characteristics</i> | 5 |
| • Changed input current noise density unit from nV/√Hz to pA/√Hz in <i>Electrical Characteristics</i> | 5 |
| • Changed parameter name from large-signal differential voltage gain to open-loop voltage gain in <i>Electrical Characteristics</i> | 5 |
| • Changed parameter name from peak output voltage to voltage output swing in <i>Electrical Characteristics</i> | 5 |
| • Changed functional block diagram..... | 8 |
| • Changed text to clarify how to adjust input mismatches using null pins in <i>Application Information</i> | 9 |
| Changes from Revision F (January 2014) to Revision G (November 2014) | Page |
| • 添加了应用、器件信息表、引脚功能表、处理等级表、热性能信息表、典型特性、特性说明部分、器件功能模式、应用和实施部分、电源相关建议部分、布局部分、器件和文档支持部分以及机械、封装和可订购信息部分..... | 1 |
| Changes from Revision E (May 2004) to Revision F (January 2014) | Page |
| • 删除了订购信息表..... | 1 |

5 Pin Configuration and Functions



**图 5-1. D Package, 8-Pin SOIC,
P Package, 8-Pin PDIP,
and PS Package, 8-Pin SO
(Top View)**

表 5-1. Pin Functions

| PIN | | TYPE | DESCRIPTION |
|-----------|-----|--------|--|
| NAME | NO. | | |
| IN+ | 3 | Input | Noninverting input |
| IN - | 2 | Input | Inverting input |
| NC | 5 | — | Do not connect |
| OFFSET N1 | 1 | Input | External input offset voltage adjustment |
| OFFSET N2 | 8 | Input | External input offset voltage adjustment |
| OUT | 6 | Output | Output |
| V+ | 7 | — | Positive supply |
| V - | 4 | — | Negative supply |

6 Specifications

6.1 Absolute Maximum Ratings

over operating free-air temperature range (unless otherwise noted) ⁽¹⁾

| | | | MIN | MAX | UNIT |
|------------------|-------------------------------------|-----------------------------|------------|-----|------|
| V _S | Supply voltage ⁽²⁾ | Single supply | | 44 | V |
| | | Dual supply | | ±22 | |
| | Input voltage | Differential ⁽³⁾ | | ±30 | V |
| | | Single-ended ⁽⁴⁾ | | ±22 | |
| | Output short-circuit ⁽⁵⁾ | | Continuous | | |
| T _J | Operating junction temperature | | - 55 | 150 | °C |
| T _{stg} | Storage temperature | | - 65 | 150 | °C |

- (1) Stresses beyond those listed under *Absolute Maximum Ratings* may cause permanent damage to the device. These are stress ratings only, which do not imply functional operation of the device at these or any other conditions beyond those indicated under *Recommended Operating Conditions*. Exposure to absolute-maximum-rated conditions for extended periods may affect device reliability.
- (2) All voltage values, unless otherwise noted, are with respect to the midpoint between V+ and V-.
- (3) Differential voltages are at IN+ with respect to IN-.
- (4) The magnitude of the input voltage must never exceed the magnitude of the supply voltage or 15 V, whichever is less.
- (5) The output can be shorted to ground or to the negative power supply. Fast ramping shorts to the positive supply can cause permanent damage and eventual destruction.

6.2 ESD Ratings

| | | | VALUE | UNIT |
|--------------------|-------------------------|--|-------|------|
| V _(ESD) | Electrostatic discharge | Human-body model (HBM), per ANSI/ESDA/JEDEC JS-001 ⁽¹⁾ | ±1000 | V |
| | | Charged-device model (CDM), per JEDEC specification JESD22-C101 ⁽²⁾ | ±1000 | |

- (1) JEDEC document JEP155 states that 500-V HBM allows safe manufacturing with a standard ESD control process.
- (2) JEDEC document JEP157 states that 250-V CDM allows safe manufacturing with a standard ESD control process.

6.3 Recommended Operating Conditions

over operating free-air temperature range (unless otherwise noted)

| | | | MIN | NOM | MAX | UNIT |
|-----------------|-------------------------------|------------------------|------|-----|-----|------|
| V _S | Supply voltage | Single supply | 6 | | 36 | V |
| | | Dual supply | ±3 | | ±18 | |
| V _{CM} | Common-mode input voltage | V _S = ±15 V | - 13 | | 13 | V |
| T _A | Operating ambient temperature | | 0 | | 70 | °C |

6.4 Thermal Information

| THERMAL METRIC ⁽¹⁾ | | OP07x | | UNIT |
|-------------------------------|--|----------|----------|------|
| | | D (SOIC) | P (PDIP) | |
| | | 8 PINS | 8 PINS | |
| R _{θJA} | Junction-to-ambient thermal resistance | 127.6 | 85 | °C/W |
| R _{θJC(top)} | Junction-to-case (top) thermal resistance | 67.1 | 68.6 | °C/W |
| R _{θJB} | Junction-to-board thermal resistance | 71.4 | 55.6 | °C/W |
| ψ _{JT} | Junction-to-top characterization parameter | 18.7 | 38.3 | °C/W |
| ψ _{JB} | Junction-to-board characterization parameter | 70.6 | 55.2 | °C/W |
| R _{θJC(bot)} | Junction-to-case (bottom) thermal resistance | — | — | °C/W |

- (1) For more information about traditional and new thermal metrics, see the [Semiconductor and IC Package Thermal Metrics](#) application report.

6.5 Electrical Characteristics

at $T_A = 25^\circ\text{C}$, $V_S = \pm 15\text{ V}$, $R_L = 2\text{ k}\Omega$ connected to mid-supply, and $V_{CM} = V_{OUT} = \text{mid-supply}$ (unless otherwise noted)⁽¹⁾.

| PARAMETER | | TEST CONDITIONS | | MIN | TYP | MAX | UNIT |
|----------------------------|--|--|--|--|------------|-----|------------------------------|
| OFFSET VOLTAGE | | | | | | | |
| V_{OS} | Input offset voltage | OP07C | | | ± 60 | | μV |
| | | | $T_A = 0^\circ\text{C to } 70^\circ\text{C}$ | | ± 85 | | |
| | | OP07D | | | ± 150 | | |
| | | | $T_A = 0^\circ\text{C to } 70^\circ\text{C}$ | | ± 250 | | |
| dV_{OS}/dT | Input offset voltage drift | $T_A = 0^\circ\text{C to } 70^\circ\text{C}$ | OP07C | | ± 0.5 | | $\mu\text{V}/^\circ\text{C}$ |
| | | | OP07D | | ± 2.5 | | |
| | Long-term drift of input offset voltage ⁽²⁾ | | | | ± 0.4 | | $\mu\text{V}/\text{mo}$ |
| | Offset adjustment range | $R_S = 20\text{ k}\Omega$, see ¶ 8.1 | | | ± 4 | | mV |
| PSRR | Power supply rejection ratio | $V_S = \pm 3\text{ V to } \pm 18\text{ V}$ | | | 7 | 32 | $\mu\text{V}/\text{V}$ |
| | | | $T_A = 0^\circ\text{C to } 70^\circ\text{C}$ | | 10 | 51 | |
| INPUT BIAS CURRENT | | | | | | | |
| I_B | Input bias current | OP07C | | | ± 1.8 | | nA |
| | | | $T_A = 0^\circ\text{C to } 70^\circ\text{C}$ | | ± 2.2 | | |
| | | OP07D | | | ± 12 | | |
| | | | $T_A = 0^\circ\text{C to } 70^\circ\text{C}$ | | ± 14 | | |
| | Input bias current drift | OP07C | | | ± 18 | | $\text{pA}/^\circ\text{C}$ |
| | | OP07D | | | ± 50 | | |
| I_{OS} | Input offset current | OP07C | | | ± 0.8 | | nA |
| | | | $T_A = 0^\circ\text{C to } 70^\circ\text{C}$ | | ± 1.6 | | |
| | | OP07D | | | ± 6 | | |
| | | | $T_A = 0^\circ\text{C to } 70^\circ\text{C}$ | | ± 8 | | |
| | Input offset current drift | OP07C | | | 12 | | $\text{pA}/^\circ\text{C}$ |
| | | OP07D | | | ± 50 | | |
| NOISE | | | | | | | |
| | Input voltage noise | $f = 0.1\text{ Hz to } 10\text{ Hz}$ | | | 0.38 | | μV_{PP} |
| e_N | Input voltage noise density | $f = 10\text{ Hz}$ | | | 10.5 | | $\text{nV}/\sqrt{\text{Hz}}$ |
| | | $f = 100\text{ Hz}$ | | | 10.2 | | |
| | | $f = 1\text{ kHz}$ | | | 9.8 | | |
| | Input current noise | $f = 0.1\text{ Hz to } 10\text{ Hz}$ | | | 15 | | pA_{PP} |
| i_N | Input current noise density | $f = 10\text{ Hz}$ | | | 0.35 | | $\text{pA}/\sqrt{\text{Hz}}$ |
| | | $f = 100\text{ Hz}$ | | | 0.15 | | |
| | | $f = 1\text{ kHz}$ | | | 0.13 | | |
| INPUT VOLTAGE RANGE | | | | | | | |
| V_{CM} | Common-mode voltage | | | ± 13 | ± 14 | | V |
| | | $T_A = 0^\circ\text{C to } 70^\circ\text{C}$ | | ± 13 | ± 13.5 | | |
| CMRR | Common-mode rejection ratio | OP07C | $V_{CM} = \pm 13\text{ V}$ | | 100 | 120 | dB |
| | | | | $T_A = 0^\circ\text{C to } 70^\circ\text{C}$ | 97 | 120 | |
| | | OP07D | $V_{CM} = \pm 13\text{ V}$ | | 94 | 110 | |
| | | | | $T_A = 0^\circ\text{C to } 70^\circ\text{C}$ | 94 | 106 | |
| INPUT CAPACITANCE | | | | | | | |
| r_I | Input resistance | | | 7 | 33 | | M Ω |
| OPEN-LOOP GAIN | | | | | | | |

6.5 Electrical Characteristics (continued)

at $T_A = 25^\circ\text{C}$, $V_S = \pm 15\text{ V}$, $R_L = 2\text{ k}\Omega$ connected to mid-supply, and $V_{CM} = V_{OUT} = \text{mid-supply}$ (unless otherwise noted)⁽¹⁾.

| PARAMETER | | TEST CONDITIONS | | MIN | TYP | MAX | UNIT |
|-----------------|------------------------|---|-------------------------------------|-----|-----|-----|------|
| A _{OL} | Open-loop voltage gain | 1.4 V < V _O < 11.4 V, R _L = 500 kΩ | OP07C | 100 | 400 | | V/mV |
| | | | OP07D | | 400 | | |
| | | V _O = ±10 V | | 120 | 400 | | |
| | | | T _A = -40°C to +125°C | 100 | 400 | | |

6.5 Electrical Characteristics (continued)

at $T_A = 25^\circ\text{C}$, $V_S = \pm 15\text{ V}$, $R_L = 2\text{ k}\Omega$ connected to mid-supply, and $V_{CM} = V_{OUT} = \text{mid-supply}$ (unless otherwise noted)⁽¹⁾.

| PARAMETER | TEST CONDITIONS | MIN | TYP | MAX | UNIT | |
|---------------------------|----------------------|---|------------|------------|------------------|----|
| FREQUENCY RESPONSE | | | | | | |
| | Unity gain bandwidth | 0.4 | 0.6 | | MHz | |
| SR | Slew rate | $V_S = 5\text{ V}$, $R_L = 2\text{ k}\Omega$ | | 0.3 | V/ μs | |
| OUTPUT | | | | | | |
| | Voltage output swing | | ± 11.5 | ± 12.8 | V | |
| | | $T_A = 0^\circ\text{C to } 70^\circ\text{C}$ | ± 11 | ± 12.6 | | |
| | | $R_L = 10\text{ k}\Omega$ | ± 12 | ± 13 | | |
| | | $R_L = 1\text{ k}\Omega$ | | ± 12 | | |
| POWER SUPPLY | | | | | | |
| P_D | Power dissipation | No load | | 80 | 150 | mW |
| | | $V_S = \pm 3\text{ V}$, no load | | 4 | 8 | |

- (1) The specifications listed in the *Electrical Characteristics* apply to OP07C and OP07D.
- (2) Because long-term drift cannot be measured on the individual devices before shipment, this specification is not intended to be a warranty. This specification is an engineering estimate of the averaged trend line of drift versus time over extended periods after the first 30 days of operation.

6.6 Typical Characteristics

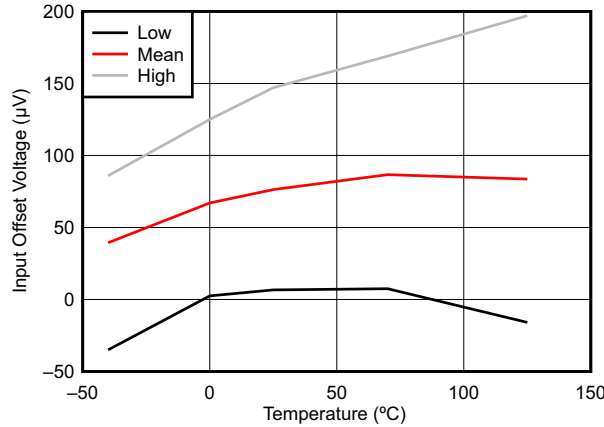


图 6-1. Input-Offset Voltage vs Temperature

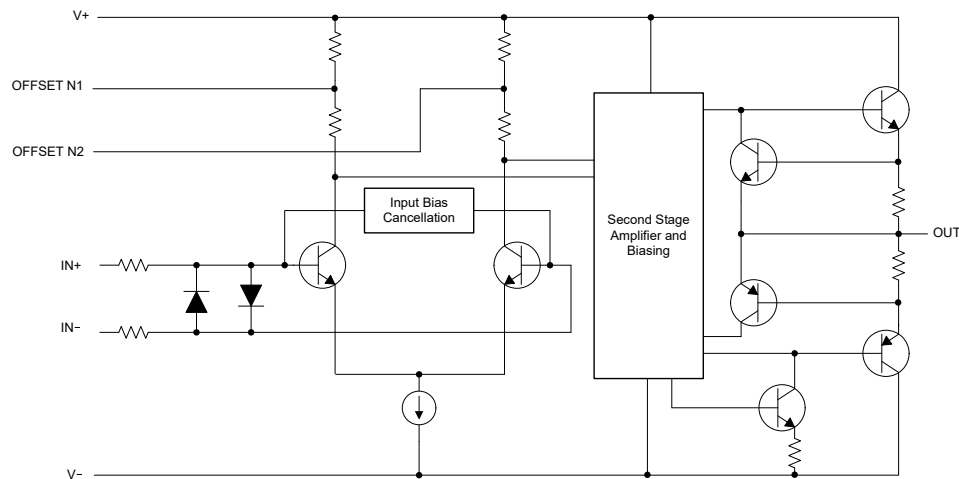
7 Detailed Description

7.1 Overview

These devices offer low offset and long-term stability by means of a low-noise, chopperless, bipolar-input-transistor amplifier circuit. For most applications, external components are not required for offset nulling and frequency compensation. The true differential input, with a wide input-voltage range and outstanding common-mode rejection, provides maximum flexibility and performance in high-noise environments and in noninverting applications. Low bias currents and extremely high input impedances are maintained over the entire temperature range.

These devices are characterized for operation from 0°C to 70°C.

7.2 Functional Block Diagram



7.3 Feature Description

7.3.1 Offset-Voltage Null Capability

The input offset voltage of operational amplifiers (op amps) arises from unavoidable mismatches in the differential input stage of the op-amp circuit caused by mismatched transistor pairs, collector currents, current-gain betas (β), collector or emitter resistors, and so on. The input offset pins allow the designer to adjust for these mismatches by external circuitry. See [§ 8](#) for more details on design techniques.

7.3.2 Slew Rate

The slew rate is the rate at which an operational amplifier can change the output when there is a change on the input. The OP07x have a 0.3-V/ μ s slew rate.

7.4 Device Functional Modes

The OP07x are powered on when the supply is connected. The devices can be operated as single-supply operational amplifiers or dual-supply amplifiers, depending on the application.

8 Application and Implementation

备注

以下应用部分中的信息不属于 TI 器件规格的范围，TI 不担保其准确性和完整性。TI 的客户应负责确定器件是否适用于其应用。客户应验证并测试其设计，以确保系统功能。

8.1 Application Information

The input offset voltage of operational amplifiers (op amps) arises from unavoidable mismatches in the differential input stage of the op-amp circuit caused by mismatched transistor pairs, collector currents, current-gain betas (β), collector or emitter resistors, and so on. The input offset pins allow the designer to adjust for these mismatches with external circuitry. 图 8-1 shows how these input mismatches can be adjusted by putting resistors or a potentiometer between the null pins. Use a potentiometer to fine tune the circuit during testing or for applications that require precision offset control. For more information about designing using the input-offset pins, see the [Nulling Input Offset Voltage of Operational Amplifiers application report](#).

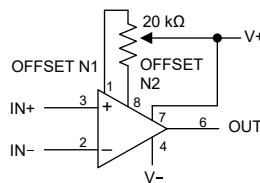


图 8-1. Input Offset-Voltage Null Circuit

8.2 Typical Application

The voltage follower configuration of the operational amplifier is used for applications where a weak signal is used to drive a relatively high current load. This circuit is also called a buffer amplifier or unity gain amplifier. The inputs of an operational amplifier have a very high resistance that puts a negligible current load on the voltage source. The output resistance of the operational amplifier is almost negligible, so the amplifier can provide as much current as necessary to the output load.

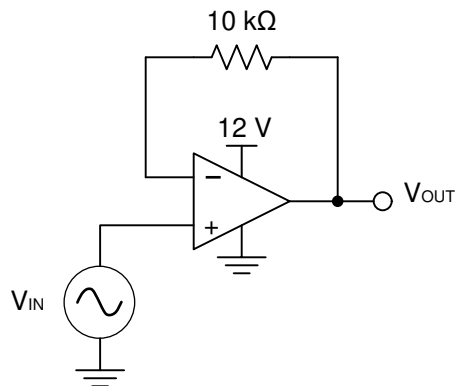


图 8-2. Voltage Follower Schematic

8.2.1 Design Requirements

- Output range of 2 V to 11 V
- Input range of 2 V to 11 V

8.2.2 Detailed Design Procedure

8.2.2.1 Output Voltage Swing

The output voltage of an operational amplifier is limited by the internal circuitry to some level less than the supply rails. For this amplifier, the output voltage swing is within ± 12 V, which accommodates the input and output voltage requirements.

8.2.2.2 Supply and Input Voltage

For correct operation of the amplifier, neither input must be higher than the recommended positive supply rail voltage or lower than the recommended negative supply rail voltage. The chosen amplifier must be able to operate at the supply voltage that accommodates the inputs. Because the input for this application goes up to 11 V, the supply voltage must be 12 V. Using a negative voltage on the lower rail, rather than ground, allows the amplifier to maintain linearity for inputs below 2 V.

8.2.3 Application Curves

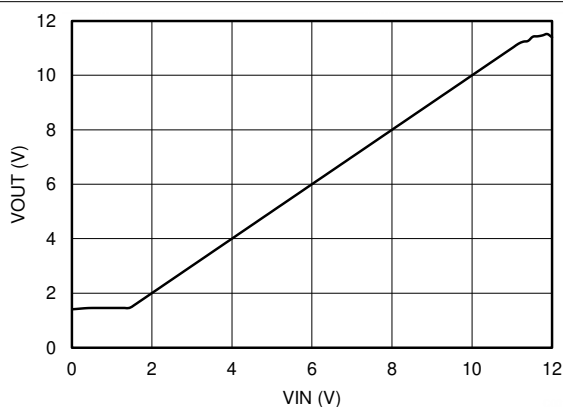


图 8-3. Output Voltage vs Input Voltage

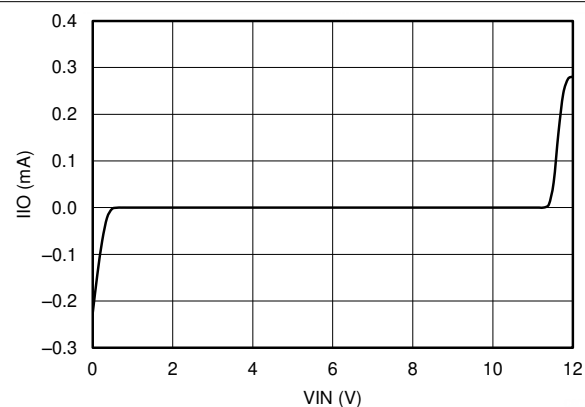


图 8-4. Current Drawn by the Input of the Voltage Follower (I_{IO}) vs Input Voltage

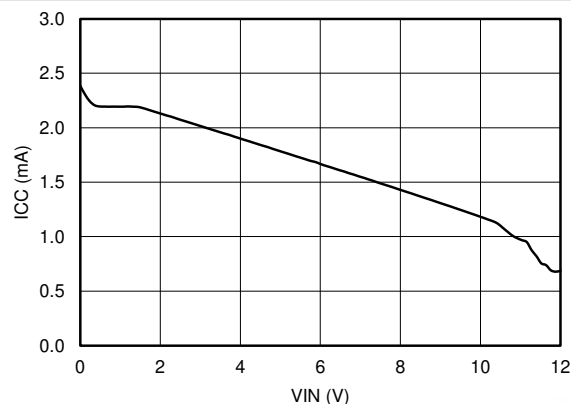


图 8-5. Current Drawn from Supply (I_{CC}) vs Input Voltage

8.3 Power Supply Recommendations

The OP07x operate from ± 3 V to ± 18 V supplies; many specifications apply from 0°C to 70°C.

CAUTION

Supply voltages larger than ± 22 V can permanently damage the device. See also [§ 6.1](#).

Place 0.1- μ F bypass capacitors close to the power-supply pins to reduce errors coupling in from noisy or high-impedance power supplies. For more details on bypass capacitor placement, see [§ 8.4.1](#).

8.4 Layout

8.4.1 Layout Guidelines

For best operational performance of the device, use good PCB layout practices, including:

- Noise can propagate into analog circuitry through the power pins of the circuit as a whole, as well as the operational amplifier. Bypass capacitors are used to reduce the coupled noise by providing low-impedance power sources local to the analog circuitry.
 - Connect low-ESR, 0.1- μ F ceramic bypass capacitors between each supply pin and ground, placed as close to the device as possible. A single bypass capacitor from V+ to ground is applicable for single supply applications.
- Separate grounding for analog and digital portions of circuitry is one of the simplest and most-effective methods of noise suppression. On multilayer PCBs, one or more layers are usually devoted to ground planes. A ground plane helps distribute heat and reduces EMI noise pickup. Make sure to physically separate digital and analog grounds, paying attention to the flow of the ground current.
- To reduce parasitic coupling, run the input traces as far away from the supply or output traces as possible. If it is not possible to keep them separate, it is much better to cross the sensitive trace perpendicularly, as opposed to in parallel, with the noisy trace.
- Place the external components as close to the device as possible. Keeping RF and RG close to the inverting input minimizes parasitic capacitance, as shown in # 8.4.2.
- Keep the length of input traces as short as possible. Always remember that the input traces are the most sensitive part of the circuit.
- Consider a driven, low-impedance guard ring around the critical traces. A guard ring can significantly reduce leakage currents from nearby traces that are at different potentials.

8.4.2 Layout Example

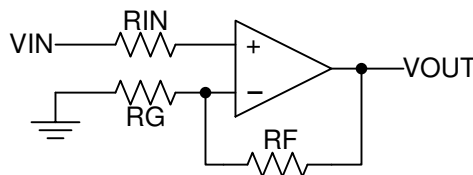


图 8-6. Operational Amplifier Schematic for Noninverting Configuration

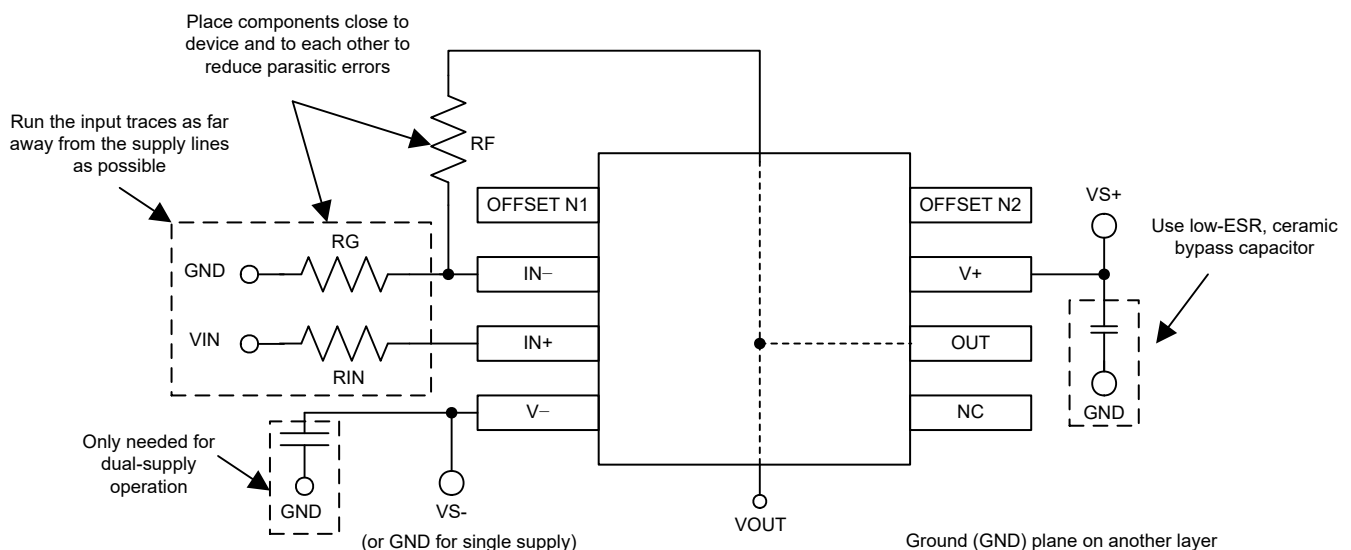


图 8-7. Operational Amplifier Board Layout for Noninverting Configuration

9 Device and Documentation Support

9.1 接收文档更新通知

要接收文档更新通知，请导航至 [ti.com](https://www.ti.com) 上的器件产品文件夹。点击 [订阅更新](#) 进行注册，即可每周接收产品信息更改摘要。有关更改的详细信息，请查看任何已修订文档中包含的修订历史记录。

9.2 支持资源

TI E2E™ 支持论坛是工程师的重要参考资料，可直接从专家获得快速、经过验证的解答和设计帮助。搜索现有解答或提出自己的问题可获得所需的快速设计帮助。

链接的内容由各个贡献者“按原样”提供。这些内容并不构成 TI 技术规范，并且不一定反映 TI 的观点；请参阅 TI 的《[使用条款](#)》。

9.3 Trademarks

TI E2E™ is a trademark of Texas Instruments.

所有商标均为其各自所有者的财产。

9.4 静电放电警告



静电放电 (ESD) 会损坏这个集成电路。德州仪器 (TI) 建议通过适当的预防措施处理所有集成电路。如果不遵守正确的处理和安装程序，可能会损坏集成电路。

ESD 的损坏小至导致微小的性能降级，大至整个器件故障。精密的集成电路可能更容易受到损坏，这是因为非常细微的参数更改都可能会导致器件与其发布的规格不相符。

9.5 术语表

TI 术语表 本术语表列出并解释了术语、首字母缩略词和定义。

10 Mechanical, Packaging, and Orderable Information

The following pages include mechanical packaging and orderable information. This information is the most current data available for the designated devices. This data is subject to change without notice and revision of this document. For browser based versions of this data sheet, refer to the left hand navigation.

PACKAGING INFORMATION

| Orderable Device | Status (1) | Package Type | Package Drawing | Pins | Package Qty | Eco Plan (2) | Lead finish/ Ball material (6) | MSL Peak Temp (3) | Op Temp (°C) | Device Marking (4/5) | Samples |
|------------------|---------------|--------------|-----------------|------|-------------|-----------------|--------------------------------------|----------------------|--------------|-------------------------|-------------------------|
| OP-07DP | ACTIVE | PDIP | P | 8 | 50 | RoHS & Green | NIPDAU | N / A for Pkg Type | 0 to 70 | OP-07DP | Samples |
| OP-07DPS | ACTIVE | SO | PS | 8 | 80 | RoHS & Green | NIPDAU | Level-1-260C-UNLIM | 0 to 70 | OP-07D | Samples |
| OP-07DPSR | ACTIVE | SO | PS | 8 | 2000 | RoHS & Green | NIPDAU | Level-1-260C-UNLIM | 0 to 70 | OP-07D | Samples |
| OP-07DPSRG4 | ACTIVE | SO | PS | 8 | 2000 | RoHS & Green | NIPDAU | Level-1-260C-UNLIM | 0 to 70 | OP-07D | Samples |
| OP07-W | ACTIVE | WAFERSALE | YS | 0 | 3603 | TBD | Call TI | Call TI | | | Samples |
| OP07CD | ACTIVE | SOIC | D | 8 | 75 | RoHS & Green | NIPDAU | Level-1-260C-UNLIM | 0 to 70 | OP07C | Samples |
| OP07CDE4 | ACTIVE | SOIC | D | 8 | 75 | RoHS & Green | NIPDAU | Level-1-260C-UNLIM | 0 to 70 | OP07C | Samples |
| OP07CDG4 | ACTIVE | SOIC | D | 8 | 75 | RoHS & Green | NIPDAU | Level-1-260C-UNLIM | 0 to 70 | OP07C | Samples |
| OP07CDR | ACTIVE | SOIC | D | 8 | 2500 | RoHS & Green | NIPDAU SN | Level-1-260C-UNLIM | 0 to 70 | OP07C | Samples |
| OP07CDRE4 | ACTIVE | SOIC | D | 8 | 2500 | RoHS & Green | NIPDAU | Level-1-260C-UNLIM | 0 to 70 | OP07C | Samples |
| OP07CDRG4 | ACTIVE | SOIC | D | 8 | 2500 | RoHS & Green | NIPDAU | Level-1-260C-UNLIM | 0 to 70 | OP07C | Samples |
| OP07CP | ACTIVE | PDIP | P | 8 | 50 | RoHS & Green | NIPDAU | N / A for Pkg Type | 0 to 70 | OP07CP | Samples |
| OP07CPE4 | ACTIVE | PDIP | P | 8 | 50 | RoHS & Green | NIPDAU | N / A for Pkg Type | 0 to 70 | OP07CP | Samples |
| OP07DD | ACTIVE | SOIC | D | 8 | 75 | RoHS & Green | NIPDAU | Level-1-260C-UNLIM | 0 to 70 | OP07D | Samples |
| OP07DDR | ACTIVE | SOIC | D | 8 | 2500 | RoHS & Green | NIPDAU | Level-1-260C-UNLIM | 0 to 70 | OP07D | Samples |
| OP07DDRE4 | ACTIVE | SOIC | D | 8 | 2500 | RoHS & Green | NIPDAU | Level-1-260C-UNLIM | 0 to 70 | OP07D | Samples |
| OP07DP | ACTIVE | PDIP | P | 8 | 50 | RoHS & Green | NIPDAU | N / A for Pkg Type | 0 to 70 | OP07DP | Samples |
| OP07DPE4 | ACTIVE | PDIP | P | 8 | 50 | RoHS & Green | NIPDAU | N / A for Pkg Type | 0 to 70 | OP07DP | Samples |

(1) The marketing status values are defined as follows:

ACTIVE: Product device recommended for new designs.

LIFEBUY: TI has announced that the device will be discontinued, and a lifetime-buy period is in effect.

NRND: Not recommended for new designs. Device is in production to support existing customers, but TI does not recommend using this part in a new design.

PREVIEW: Device has been announced but is not in production. Samples may or may not be available.

OBSOLETE: TI has discontinued the production of the device.

⁽²⁾ **RoHS:** TI defines "RoHS" to mean semiconductor products that are compliant with the current EU RoHS requirements for all 10 RoHS substances, including the requirement that RoHS substance do not exceed 0.1% by weight in homogeneous materials. Where designed to be soldered at high temperatures, "RoHS" products are suitable for use in specified lead-free processes. TI may reference these types of products as "Pb-Free".

RoHS Exempt: TI defines "RoHS Exempt" to mean products that contain lead but are compliant with EU RoHS pursuant to a specific EU RoHS exemption.

Green: TI defines "Green" to mean the content of Chlorine (Cl) and Bromine (Br) based flame retardants meet JS709B low halogen requirements of ≤ 1000 ppm threshold. Antimony trioxide based flame retardants must also meet the ≤ 1000 ppm threshold requirement.

⁽³⁾ **MSL, Peak Temp.** - The Moisture Sensitivity Level rating according to the JEDEC industry standard classifications, and peak solder temperature.

⁽⁴⁾ There may be additional marking, which relates to the logo, the lot trace code information, or the environmental category on the device.

⁽⁵⁾ Multiple Device Markings will be inside parentheses. Only one Device Marking contained in parentheses and separated by a "~" will appear on a device. If a line is indented then it is a continuation of the previous line and the two combined represent the entire Device Marking for that device.

⁽⁶⁾ **Lead finish/Ball material** - Orderable Devices may have multiple material finish options. Finish options are separated by a vertical ruled line. Lead finish/Ball material values may wrap to two lines if the finish value exceeds the maximum column width.

Important Information and Disclaimer: The information provided on this page represents TI's knowledge and belief as of the date that it is provided. TI bases its knowledge and belief on information provided by third parties, and makes no representation or warranty as to the accuracy of such information. Efforts are underway to better integrate information from third parties. TI has taken and continues to take reasonable steps to provide representative and accurate information but may not have conducted destructive testing or chemical analysis on incoming materials and chemicals. TI and TI suppliers consider certain information to be proprietary, and thus CAS numbers and other limited information may not be available for release.

In no event shall TI's liability arising out of such information exceed the total purchase price of the TI part(s) at issue in this document sold by TI to Customer on an annual basis.

TAPE AND REEL INFORMATION

QUADRANT ASSIGNMENTS FOR PIN 1 ORIENTATION IN TAPE


*All dimensions are nominal

| Device | Package Type | Package Drawing | Pins | SPQ | Reel Diameter (mm) | Reel Width W1 (mm) | A0 (mm) | B0 (mm) | K0 (mm) | P1 (mm) | W (mm) | Pin1 Quadrant |
|-----------|--------------|-----------------|------|------|--------------------|--------------------|---------|---------|---------|---------|--------|---------------|
| OP-07DPSR | SO | PS | 8 | 2000 | 330.0 | 16.4 | 8.35 | 6.6 | 2.4 | 12.0 | 16.0 | Q1 |
| OP07CDR | SOIC | D | 8 | 2500 | 330.0 | 12.4 | 6.4 | 5.2 | 2.1 | 8.0 | 12.0 | Q1 |
| OP07CDRG4 | SOIC | D | 8 | 2500 | 330.0 | 12.4 | 6.4 | 5.2 | 2.1 | 8.0 | 12.0 | Q1 |
| OP07DDR | SOIC | D | 8 | 2500 | 330.0 | 12.4 | 6.4 | 5.2 | 2.1 | 8.0 | 12.0 | Q1 |

TAPE AND REEL BOX DIMENSIONS



*All dimensions are nominal

| Device | Package Type | Package Drawing | Pins | SPQ | Length (mm) | Width (mm) | Height (mm) |
|-----------|--------------|-----------------|------|------|-------------|------------|-------------|
| OP-07DPSR | SO | PS | 8 | 2000 | 356.0 | 356.0 | 35.0 |
| OP07CDR | SOIC | D | 8 | 2500 | 340.5 | 336.1 | 25.0 |
| OP07CDRG4 | SOIC | D | 8 | 2500 | 340.5 | 336.1 | 25.0 |
| OP07DDR | SOIC | D | 8 | 2500 | 340.5 | 336.1 | 25.0 |

TUBE


*All dimensions are nominal

| Device | Package Name | Package Type | Pins | SPQ | L (mm) | W (mm) | T (μm) | B (mm) |
|----------|--------------|--------------|------|-----|--------|--------|--------|--------|
| OP-07DP | P | PDIP | 8 | 50 | 506 | 13.97 | 11230 | 4.32 |
| OP-07DPS | PS | SOP | 8 | 80 | 530 | 10.5 | 4000 | 4.1 |
| OP07CD | D | SOIC | 8 | 75 | 507 | 8 | 3940 | 4.32 |
| OP07CDE4 | D | SOIC | 8 | 75 | 507 | 8 | 3940 | 4.32 |
| OP07CDG4 | D | SOIC | 8 | 75 | 507 | 8 | 3940 | 4.32 |
| OP07CP | P | PDIP | 8 | 50 | 506 | 13.97 | 11230 | 4.32 |
| OP07CP | P | PDIP | 8 | 50 | 506 | 13.97 | 11230 | 4.32 |
| OP07CPE4 | P | PDIP | 8 | 50 | 506 | 13.97 | 11230 | 4.32 |
| OP07CPE4 | P | PDIP | 8 | 50 | 506 | 13.97 | 11230 | 4.32 |
| OP07DD | D | SOIC | 8 | 75 | 507 | 8 | 3940 | 4.32 |
| OP07DP | P | PDIP | 8 | 50 | 506 | 13.97 | 11230 | 4.32 |
| OP07DPE4 | P | PDIP | 8 | 50 | 506 | 13.97 | 11230 | 4.32 |



D0008A

PACKAGE OUTLINE

SOIC - 1.75 mm max height

SMALL OUTLINE INTEGRATED CIRCUIT



4214825/C 02/2019

NOTES:

1. Linear dimensions are in inches [millimeters]. Dimensions in parenthesis are for reference only. Controlling dimensions are in inches. Dimensioning and tolerancing per ASME Y14.5M.
2. This drawing is subject to change without notice.
3. This dimension does not include mold flash, protrusions, or gate burrs. Mold flash, protrusions, or gate burrs shall not exceed $.006$ [0.15] per side.
4. This dimension does not include interlead flash.
5. Reference JEDEC registration MS-012, variation AA.

EXAMPLE BOARD LAYOUT

D0008A

SOIC - 1.75 mm max height

SMALL OUTLINE INTEGRATED CIRCUIT



LAND PATTERN EXAMPLE
 EXPOSED METAL SHOWN
 SCALE:8X



SOLDER MASK DETAILS

4214825/C 02/2019

NOTES: (continued)

- 6. Publication IPC-7351 may have alternate designs.
- 7. Solder mask tolerances between and around signal pads can vary based on board fabrication site.

EXAMPLE STENCIL DESIGN

D0008A

SOIC - 1.75 mm max height

SMALL OUTLINE INTEGRATED CIRCUIT



SOLDER PASTE EXAMPLE
BASED ON .005 INCH [0.125 MM] THICK STENCIL
SCALE:8X

4214825/C 02/2019

NOTES: (continued)

8. Laser cutting apertures with trapezoidal walls and rounded corners may offer better paste release. IPC-7525 may have alternate design recommendations.
9. Board assembly site may have different recommendations for stencil design.

MECHANICAL DATA

PS (R-PDSO-G8)

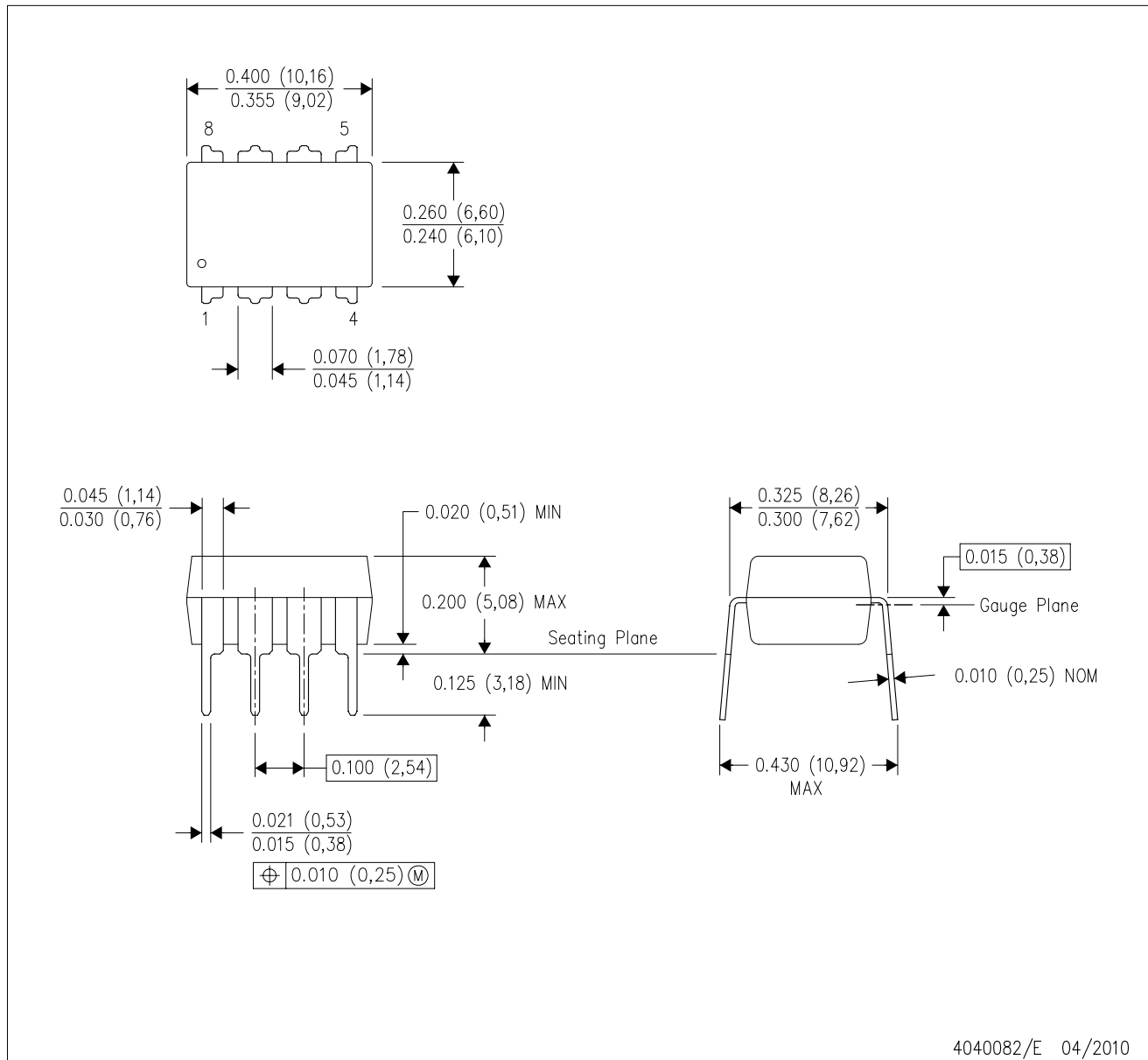
PLASTIC SMALL-OUTLINE PACKAGE



- NOTES:
- A. All linear dimensions are in millimeters.
 - B. This drawing is subject to change without notice.
 - C. Body dimensions do not include mold flash or protrusion, not to exceed 0,15.

P (R-PDIP-T8)

PLASTIC DUAL-IN-LINE PACKAGE



- NOTES:
- A. All linear dimensions are in inches (millimeters).
 - B. This drawing is subject to change without notice.
 - C. Falls within JEDEC MS-001 variation BA.

重要声明和免责声明

TI“按原样”提供技术和可靠性数据（包括数据表）、设计资源（包括参考设计）、应用或其他设计建议、网络工具、安全信息和其他资源，不保证没有瑕疵且不做任何明示或暗示的担保，包括但不限于对适销性、某特定用途方面的适用性或不侵犯任何第三方知识产权的暗示担保。

这些资源可供使用 TI 产品进行设计的熟练开发人员使用。您将自行承担以下全部责任：(1) 针对您的应用选择合适的 TI 产品，(2) 设计、验证并测试您的应用，(3) 确保您的应用满足相应标准以及任何其他功能安全、信息安全、监管或其他要求。

这些资源如有变更，恕不另行通知。TI 授权您仅可将这些资源用于研发本资源所述的 TI 产品的应用。严禁对这些资源进行其他复制或展示。您无权使用任何其他 TI 知识产权或任何第三方知识产权。您应全额赔偿因在这些资源的使用中对 TI 及其代表造成的任何索赔、损害、成本、损失和债务，TI 对此概不负责。

TI 提供的产品受 [TI 的销售条款](#) 或 [ti.com](#) 上其他适用条款/TI 产品随附的其他适用条款的约束。TI 提供这些资源并不会扩展或以其他方式更改 TI 针对 TI 产品发布的适用的担保或担保免责声明。

TI 反对并拒绝您可能提出的任何其他或不同的条款。

邮寄地址：Texas Instruments, Post Office Box 655303, Dallas, Texas 75265

Copyright © 2023，德州仪器 (TI) 公司