

LSF0204x 适用于漏极开路或推挽应用的 4 位双向多电压电平转换器

1 特性

- 无需方向端子即可提供双向电压转换
- 在电容负载不超过 30pF 的情况下，支持最高 100MHz 的上行转换和大于 100MHz 的下行转换，在 50pF 电容负载下支持最高 40MHz 的上行/下行转换
- 支持 I_{off} 、局部断电模式 (参阅 [特性说明](#))
- 可实现以下电压之间的双向电压电平转换
 - 0.8V ↔ 1.8/2.5/3.3/5V
 - 1.2V ↔ 1.8/2.5/3.3/5V
 - 1.8V ↔ 2.5/3.3/5V
 - 2.5V ↔ 3.3/5V
 - 3.3V ↔ 5V
- 低待机电流
- 支持 TTL 的 5V 耐受 I/O 端口
- 低 R_{on} 可实现较少的信号失真
- 实现 EN = 低电平的高阻抗 I/O 端子
- 采用直通引脚排列来简化 PCB 布线
- 闩锁性能超过 100mA，符合 JESD17 规范
 - 40°C 至 125°C 工作温度范围
- ESD 性能测试符合 JESD 22 标准
 - 2000V 人体放电模型 (A114-B, II 类)
 - 200V 机器放电模型 (A115-A)
 - 1000V 充电器件模型 (C101)

2 应用

- GPIO、MDIO、PMBus、SMBus、SDIO、UART、I²C 和电信基础设施中的其他接口
- 工业类
- 汽车类
- 个人计算

3 说明

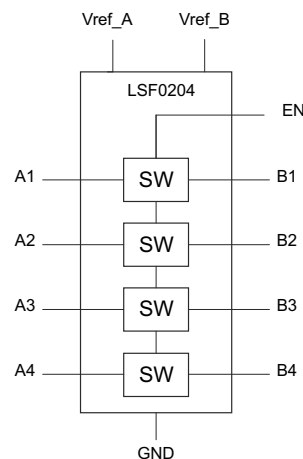
LSF 系列包含双向电压电平转换器，该转换器可在 0.8V 至 4.5V (V_{ref_A}) 和 1.8V 至 5.5V (V_{ref_B}) 电压范围内运行。该范围支持在 0.8V 和 5.0V 之间进行双向电压转换，无需在漏极开路或推挽应用中使用方向端子。对于采用 15pF 电容器和 165Ω 上拉电阻器的漏极开路系统，LSF 系列支持传输速度大于 100MHz 的电平转换应用。

当 An 或 Bn 端口为低电平时，此开关处于接通状态，而且 An 和 Bn 端口之间存在低电阻连接。开关的低 R_{on} 可实现具有超小传播延迟和信号失真的连接。A 端或 B 端的电压将限制为 V_{ref_A} ，且可上拉至 V_{ref_A} 到 5V 之间的任何电压水平。利用此功能，可在无需方向控制的情况下，在用户选择的较高和较低电压之间实现无缝转换。

器件信息(1)

器件型号	封装	封装尺寸 (标称值)
LSF0204x	TSSOP (14)	5.00mm × 4.40mm
	UQFN (12)	2.00mm × 1.70mm
	VQFN (14)	3.50mm × 3.50mm
	DSBGA (12)	1.90mm × 1.40mm

(1) 如需了解所有可用封装，请参阅数据表末尾的可订购产品附录。



简化原理图



Table of Contents

1 特性.....	1	8.1 Load Circuit AC Waveform for Outputs.....	10
2 应用.....	1	9 Detailed Description	11
3 说明.....	1	9.1 Overview.....	11
4 Revision History	2	9.2 Functional Block Diagram.....	11
5 说明 (续).....	4	9.3 Feature Description.....	12
6 Pin Configuration and Functions	4	9.4 Device Functional Modes.....	12
7 Specifications	6	10 Application and Implementation	13
7.1 Absolute Maximum Ratings.....	6	10.1 Application Information.....	13
7.2 ESD Ratings.....	6	10.2 Typical Applications.....	13
7.3 Recommended Operating Conditions.....	6	11 Power Supply Recommendations	19
7.4 Thermal Information.....	6	12 Layout	19
7.5 Electrical Characteristics.....	7	12.1 Layout Guidelines.....	19
7.6 Switching Characteristics: AC Performance (Translating Down, 3.3 V to 1.8 V).....	7	12.2 Layout Example.....	19
7.7 Switching Characteristics: AC Performance (Translating Down, 3.3 V to 1.2 V).....	8	13 Device and Documentation Support	21
7.8 Switching Characteristics: AC Performance (Translating Up, 1.8 V to 3.3 V).....	8	13.1 接收文档更新通知.....	21
7.9 Switching Characteristics: AC Performance (Translating Up, 1.2 V to 1.8 V).....	8	13.2 支持资源.....	21
7.10 Typical Characteristics.....	8	13.3 Trademarks.....	21
8 Parameter Measurement Information	9	13.4 Electrostatic Discharge Caution.....	21
		13.5 术语表.....	21
		14 Mechanical, Packaging, and Orderable Information	21

4 Revision History

注：以前版本的页码可能与当前版本的页码不同

Changes from Revision G (November 2019) to Revision H (April 2021)	Page
• 更新了整个文档的表、图和交叉参考的编号格式.....	1
• Updated the <i>Bidirectional Translation</i> section to include inclusive terminology.....	14
Changes from Revision F (January 2019) to Revision G (November 2019)	Page
• Changed $V_{ref_A/B/EN}$ max voltage to 5.5 V in the Recommended Operating Conditions table.....	6
Changes from Revision E (December 2018) to Revision F (January 2019)	Page
• Changed location of YZP-package indicator dot to A3 position.	4
• Added YZP package to <i>Thermal Information</i> table.....	6
Changes from Revision D (December 2015) to Revision E (December 2018)	Page
• Changed location of YZP-package A1-pin indicator dot. View is looking through the device, as in an X-ray.	4
Changes from Revision C (August 2015) to Revision D (December 2015)	Page
• Added Type Column to <i>Pin Functions</i> table.....	4
• Added Junction Temperatures to <i>Thermal Information</i> table.....	6
Changes from Revision B (April 2015) to Revision C (August 2015)	Page
• 删除了“特性”中的“低于最大传播延迟 1.5ns”项目符号.....	1
• 更新了“特性”中的“支持 100MHz 以上的高速转换”项目符号.....	1

Changes from Revision A (December 2014) to Revision B (April 2015) **Page**

- 向器件添加了 YZP 封装..... **1**

Changes from Revision * (November 2014) to Revision A (December 2014) **Page**

- 从首页“产品预发布”更改为完整数据表..... **1**
 - 将 [节 3](#) 中的文本从“传输速度大于 100Mbps”更改为“传输速度大于 100MHz” **1**
-

5 说明 (续)

每个通道的电源电压 ($V_{pu\#}$) 可以用上拉电阻器单独进行设置。例如, CH1 可用于上行转换模式 ($1.2V \leftrightarrow 3.3V$), CH2 可用于下行转换模式 ($2.5V \leftrightarrow 1.8V$)。

当 EN 为高电平时, 转换器开关打开, 并且 An I/O 分别连接至 Bn I/O, 从而实现端口间的双向数据流。当 EN 为低电平时, 转换器开关关闭, 端口之间呈高阻抗状态。EN 输入电路被设计成由 Vref_A 供电。EN 必须为低电平, 从而确保上电或断电期间的高阻抗状态。

器件比较表

器件型号	EN	An	Bn	说明
LSF0204D	H	将所有数据引脚置于三态模式 (高阻态)	将所有数据引脚置于三态模式 (高阻态)	三态输出模式启用 (低电平有效; 以 Vref_A 为基准)
LSF0204D	L	输入或输出	输入或输出	
LSF0204	H	输入或输出	输入或输出	三态输出模式启用 (高电平有效, 以 Vref_A 为基准)
LSF0204	L	将所有数据引脚置于三态模式 (高阻态)	将所有数据引脚置于三态模式 (高阻态)	

6 Pin Configuration and Functions

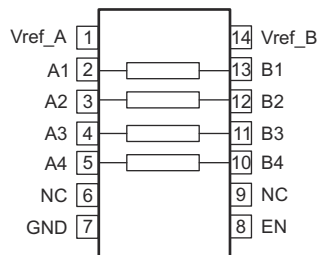


图 6-1. PW Package,
14-Pin TSSOP
(Top View)

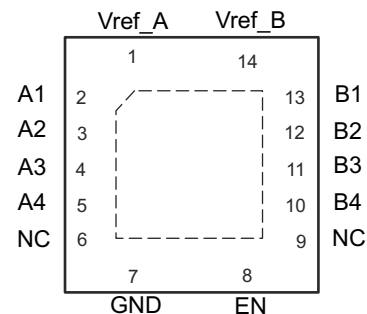


图 6-2. RGY Package,
14-Pin VQFN
(Transparent Top View)

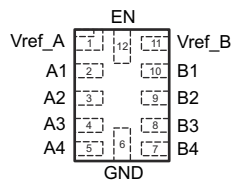


图 6-3. RUT Package,
12-Pin UQFN
(Transparent Top View)

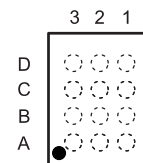


图 6-4. YZP Package,
12-Pin DSBGA
(Transparent Top View)

表 6-1. Pin Functions

NAME	PIN			TYPE ⁽¹⁾	DESCRIPTION
	NO.				
	PW, RGY	RUT	YZP		
V _{ref_A}	1	1	B2	—	Reference supply voltage; see Application and Implementation section
A1	2	2	A3	I/O	Input/output 1.
A2	3	3	B3	I/O	Input/output 2.
A3	4	4	C3	I/O	Input/output 3.
A4	5	5	D3	I/O	Input/output 4.
NC	6	-	—	—	No connection. Not internally connected.
GND	7	6	D2	—	Ground
EN	8	12	C2	I	Switch enable input; LSF0204: EN is high-active; LSF0204D: EN is low-active
NC	9	-	—	—	No connection. Not internally connected.
B4	10	7	D1	I/O	Input/output 4.
B3	11	8	C1	I/O	Input/output 3.
B2	12	9	B1	I/O	Input/output 2.
B1	13	10	A1	I/O	Input/output 1.
V _{ref_B}	14	11	A2	—	Reference supply voltage; see Application and Implementation section

(1) I = input, O = output

7 Specifications

7.1 Absolute Maximum Ratings

over operating free-air temperature range (unless otherwise noted) ⁽¹⁾

		MIN	MAX	UNIT
V _I	Input voltage ⁽²⁾	- 0.5	7	V
V _{I/O}	Input/output voltage ⁽²⁾	- 0.5	7	V
	Continuous channel current		128	mA
I _{IK}	Input clamp current	VI < 0	- 50	mA
T _J	Junction temperature		150	°C
T _{stg}	Storage temperature	- 65	150	°C

- (1) Stresses beyond those listed under *Absolute Maximum Ratings* may cause permanent damage to the device. These are stress ratings only, which do not imply functional operation of the device at these or any other conditions beyond those indicated under *Recommended Operating Conditions*. Exposure to absolute-maximum-rated conditions for extended periods may affect device reliability.
- (2) The input and input/output negative-voltage ratings may be exceeded if the input and input/output clamp-current ratings are observed.

7.2 ESD Ratings

		VALUE	UNIT
V _(ESD)	Electrostatic discharge	Human-body model (HBM), per ANSI/ESDA/JEDEC JS-001 ⁽¹⁾	±2000
		Charged-device model (CDM), per JEDEC specification JESD22-C101 ⁽²⁾	±1000

- (1) JEDEC document JEP155 states that 500-V HBM allows safe manufacturing with a standard ESD control process. Manufacturing with less than 500-V HBM is possible with the necessary precautions.
- (2) JEDEC document JEP157 states that 250-V CDM allows safe manufacturing with a standard ESD control process. Manufacturing with less than 250-V CDM is possible with the necessary precautions.

7.3 Recommended Operating Conditions

over operating free-air temperature range (unless otherwise noted)

		MIN	MAX	UNIT
V _{I/O}	Input/output voltage	0	5.5	V
V _{ref_A/B/EN}	Reference voltage	0	5.5	V
I _{PASS}	Pass transistor current		64	mA
T _A	Operating free-air temperature	- 40	125	°C

7.4 Thermal Information

THERMAL METRIC ⁽¹⁾	LSF0204				UNIT	
	RGY (VQFN)	RUT (UQFN)	PW (TSSOP)	YZP (DSBGA)		
	14 PINS	12 PINS	14 PINS	12 BALLS		
R _{θJA}	Junction-to-ambient thermal resistance	83.2	195.8	157.9	83.7	°C
R _{θJC(top)}	Junction-to-case (top) thermal resistance	98.2	98.7	82.3	0.6	°C
R _{θJB}	Junction-to-board thermal resistance	59.2	122.6	100.0	23.7	°C
ψ _{JT}	Junction-to-top characterization parameter	17.4	6.2	22.9	0.4	°C
ψ _{JB}	Junction-to-board characterization parameter	59.4	122.6	99.0	23.7	°C
R _{θJC(bot)}	Junction-to-case (bottom) thermal resistance	38.7	N/A	N/A	N/A	°C

- (1) For more information about traditional and new thermal metrics, see the *Semiconductor and IC Package Thermal Metrics* application report, [SPRA953](#).

7.5 Electrical Characteristics

over recommended operating free-air temperature range (unless otherwise noted)

PARAMETER		TEST CONDITIONS	MIN	TYP ⁽¹⁾	MAX	UNIT
V _{IK}		I _I = -18 mA, V _{EN} = 0			-1.2	V
I _{IH}		V _I = 5 V, V _{EN} = 0			5.0	μA
I _{CCBA}	Leakage from V _{ref_B} to V _{ref_A}	V _{ref_B} = 3.3 V, V _{ref_A} = 1.8 V, V _{EN} = V _{ref_A} , I _O = 0, V _I = 3.3 V or GND			3.5	μA
I _{CCA} + I _{CCB} ⁽⁴⁾		Total Current through GND V _{ref_B} = 3.3 V, V _{ref_A} = 1.8 V, V _{EN} = V _{ref_A} , I _O = 0, V _I = 3.3 V or GND		0.2		μA
I _{IN}		Control pin current V _{ref_B} = 5.5 V, V _{ref_A} = 4.5 V, V _{EN} = 0 to V _{ref_A} , I _O = 0			±1	μA
I _{off}		Power Off Leakage Current V _{ref_B} = V _{ref_A} = 0 V, V _{EN} = GND, I _O = 0, V _I = 5 V or GND			±1	μA
C _{I(ref_A/B/EN)}		V _I = 3 V or 0		7		pF
C _{IO(off)}		V _O = 3 V or 0, V _{EN} = 0		5.0	6.0	pF
C _{IO(on)}		V _O = 3 V or 0, V _{EN} = V _{ref_A}		10.5	13	pF
⁽³⁾ V _{IH} (EN pin)	High-level input voltage	V _{ref_A} = 1.5 V to 4.5 V	0.7×V _{ref_A}			V
V _{IL} (EN pin)	Low-level input voltage	V _{ref_A} = 1.5 V to 4.5 V		0.3×V _{ref_A}		V
V _{IH} (EN pin)	High-level input voltage	V _{ref_A} = 1.0 V to 1.5 V	0.8×V _{ref_A}			V
V _{IL} (EN pin)	Low-level input voltage	V _{ref_A} = 1.0 V to 1.5 V		0.3×V _{ref_A}		V
Δt/Δv (EN pin)	Input transition rise or fall rate for EN pin			10		ns/V
r _{on} ⁽²⁾	V _I = 0, I _O = 64 mA	V _{ref_A} = V _{EN} = 3.3 V; V _{ref_B} = 5 V		3		Ω
		V _{ref_A} = V _{EN} = 1.8 V; V _{ref_B} = 5 V		4		
	V _I = 0, I _O = 32 mA	V _{ref_A} = V _{EN} = 1.0 V; V _{ref_B} = 5 V		9		Ω
		V _{ref_A} = V _{EN} = 1.8 V; V _{ref_B} = 5 V		4		
	V _I = 0, I _O = 32 mA, V _{ref_A} = V _{EN} = 2.5 V; V _{ref_B} = 5 V			10		Ω
	V _I = 1.8 V, I _O = 15 mA, V _{ref_A} = V _{EN} = 3.3 V; V _{ref_B} = 5 V			5		Ω
	V _I = 1.0 V, I _O = 10 mA, V _{ref_A} = V _{EN} = 1.8 V; V _{ref_B} = 3.3 V			8		Ω
	V _I = 0 V, I _O = 10 mA, V _{ref_A} = V _{EN} = 1.0 V; V _{ref_B} = 3.3 V			6		Ω
V _I = 0 V, I _O = 10 mA, V _{ref_A} = V _{EN} = 1.0 V; V _{ref_B} = 1.8 V			6		Ω	

(1) All typical values are at T_A = 25°C.

(2) Measured by the voltage drop between the A and B terminals at the indicated current through the switch. On-state resistance is determined by the lowest voltage of the two (A or B) terminals.

(3) Enable pin test conditions are for the LSF0204. The enable pin test conditions for LSF0204D are oppositely set.

(4) The actual supply current for LSF0204 is I_{CCA} + I_{CCB}; the leakage from V_{ref_B} to V_{ref_A} can be measured on V_{ref_A} and V_{ref_B} pin

7.6 Switching Characteristics: AC Performance (Translating Down, 3.3 V to 1.8 V)

over recommended operating free-air temperature range, V_{rev-A} = 1.8 V, V_{rev-B} = 3.3 V, V_{EN} = 1.8 V, V_{pu_1} = 3.3 V, V_{pu_2} = 1.8 V, R_L = NA, V_{IH} = 3.3 V, V_{IL} = 0 V, V_M = 1.15 V (unless otherwise noted)

PARAMETER	FROM (INPUT)	TO (OUTPUT)	C _L = 50 pF		C _L = 30 pF		C _L = 15 pF		UNIT
			TYP	MAX	TYP	MAX	TYP	MAX	
t _{PLH}	A or B	B or A	0.7	5.49	0.5	5.29	0.3	5.19	ns
t _{PHL}			0.9	4.9	0.7	4.7	0.5	4.5	ns
t _{PLZ}			13	18	12	16.5	11	15	ns
t _{PZL}			33	45	30	40	23	37	ns
f _{MAX}			50		100		100		MHz

7.7 Switching Characteristics: AC Performance (Translating Down, 3.3 V to 1.2 V)

over recommended operating free-air temperature range $V_{rev-A} = 1.2\text{ V}$, $V_{rev-B} = 3.3\text{ V}$, $V_{EN} = 1.2\text{ V}$, $V_{pu_1} = 3.3\text{ V}$, $V_{pu_2} = 1.2\text{ V}$, $R_L = NA$, $V_{IH} = 3.3\text{ V}$, $V_{IL} = 0\text{ V}$, $V_M = 0.85\text{ V}$ (unless otherwise noted)

PARAMETER	FROM (INPUT)	TO (OUTPUT)	$C_L = 50\text{ pF}$		$C_L = 30\text{ pF}$		$C_L = 15\text{ pF}$		UNIT
			TYP	MAX	TYP	MAX	TYP	MAX	
t_{PLH}	A or B	B or A	0.8	4.1	0.5	3.9	0.3	3.8	ns
t_{PHL}			0.9	4.7	0.7	4.5	0.6	4.3	ns
f_{MAX}			50		100		100		MHz

7.8 Switching Characteristics: AC Performance (Translating Up, 1.8 V to 3.3 V)

over recommended operating free-air temperature range $V_{rev-A} = 1.8\text{ V}$, $V_{rev-B} = 3.3\text{ V}$, $V_{EN} = 1.8\text{ V}$, $V_{pu_1} = 3.3\text{ V}$, $V_{pu_2} = 1.8\text{ V}$, $R_L = 500\ \Omega$, $V_{IH} = 1.8\text{ V}$, $V_{IL} = 0\text{ V}$, $V_M = 0.9\text{ V}$ (unless otherwise noted)

PARAMETER	FROM (INPUT)	TO (OUTPUT)	$C_L = 50\text{ pF}$		$C_L = 30\text{ pF}$		$C_L = 15\text{ pF}$		UNIT
			TYP	MAX	TYP	MAX	TYP	MAX	
t_{PLH}	A or B	B or A	0.6	5.7	0.4	5.3	0.2	5.13	ns
t_{PHL}			1.3	6.7	1	6.4	0.7	5.3	ns
t_{PLZ}			13	18	12	16.5	11	15	ns
t_{PZL}			33	45	30	40	23	37	ns
f_{MAX}			50		100		100		MHz

7.9 Switching Characteristics: AC Performance (Translating Up, 1.2 V to 1.8 V)

over recommended operating free-air temperature range, $V_{rev-A} = 1.2\text{ V}$, $V_{rev-B} = 1.8\text{ V}$, $V_{EN} = 1.2\text{ V}$, $V_{pu_1} = 1.8\text{ V}$, $V_{pu_2} = 1.2\text{ V}$, $R_L = 500\ \Omega$, $V_{IH} = 1.2\text{ V}$, $V_{IL} = 0\text{ V}$, $V_M = 0.6\text{ V}$ (unless otherwise noted)

PARAMETER	FROM (INPUT)	TO (OUTPUT)	$C_L = 50\text{ pF}$		$C_L = 30\text{ pF}$		$C_L = 15\text{ pF}$		UNIT
			TYP	MAX	TYP	MAX	TYP	MAX	
t_{PLH}	A or B	B or A	0.65	7.25	0.4	7.05	0.2	6.85	ns
t_{PHL}			1.6	7.03	1.3	6.5	1	5.4	ns
f_{MAX}			50		100		100		MHz

7.10 Typical Characteristics

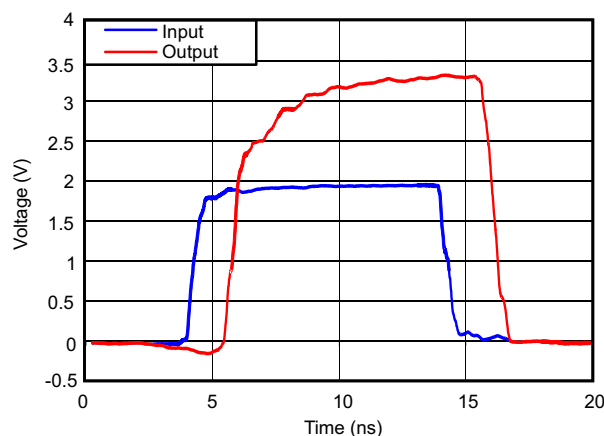
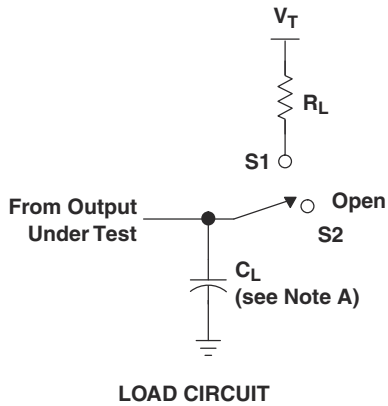
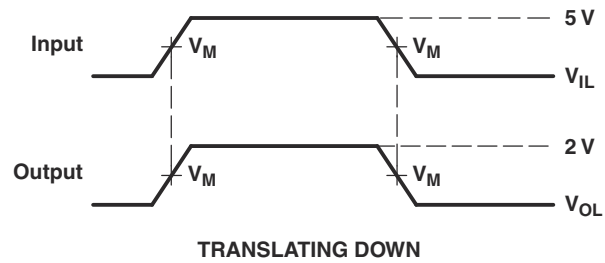
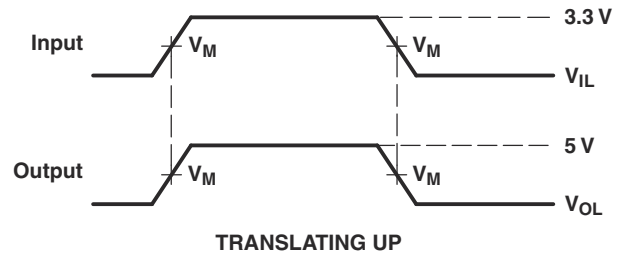


图 7-1. Signal Integrity (1.8 V to 3.3 V Translation Up at 50 MHz)

8 Parameter Measurement Information



USAGE	SWITCH
Translating up	S1
Translating down	S2



- NOTES: A. C_L includes probe and jig capacitance.
 B. All input pulses are supplied by generators having the following characteristics: PRR \leq 10 MHz, $Z_O = 50 \Omega$, $t_r \leq 2$ ns, $t_f \leq 2$ ns.
 C. The outputs are measured one at a time, with one transition per measurement.

图 8-1. Load Circuit for Outputs

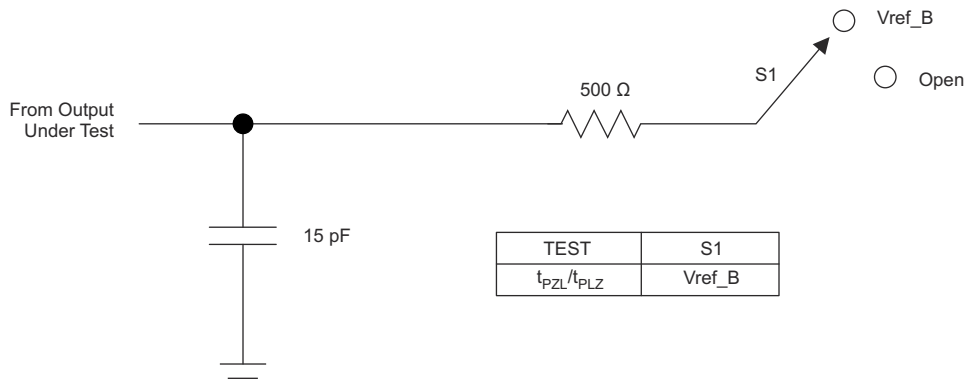


图 8-2. Load Circuit for Enable/Disable Time Measurement

8.1 Load Circuit AC Waveform for Outputs

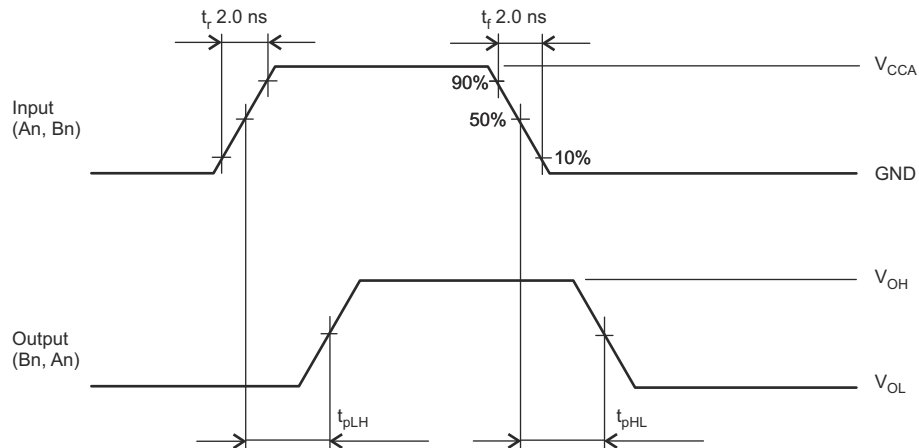


图 8-3. t_{pLH} , t_{pHL}

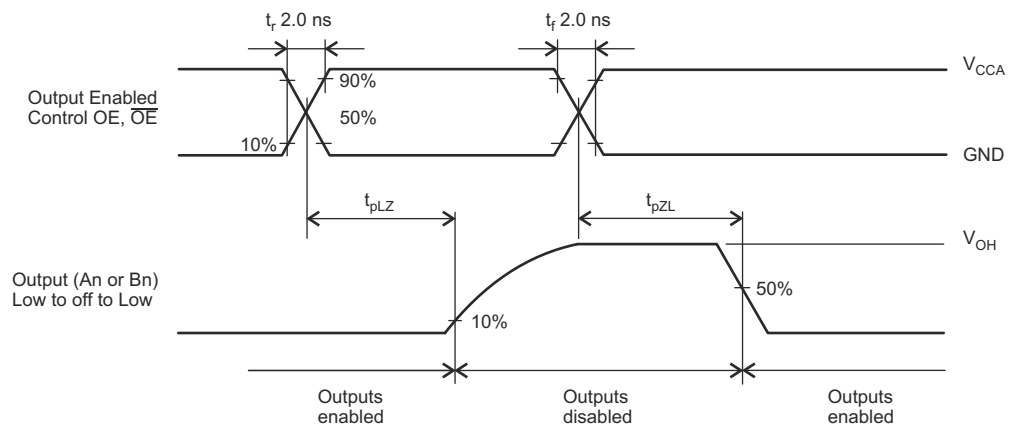


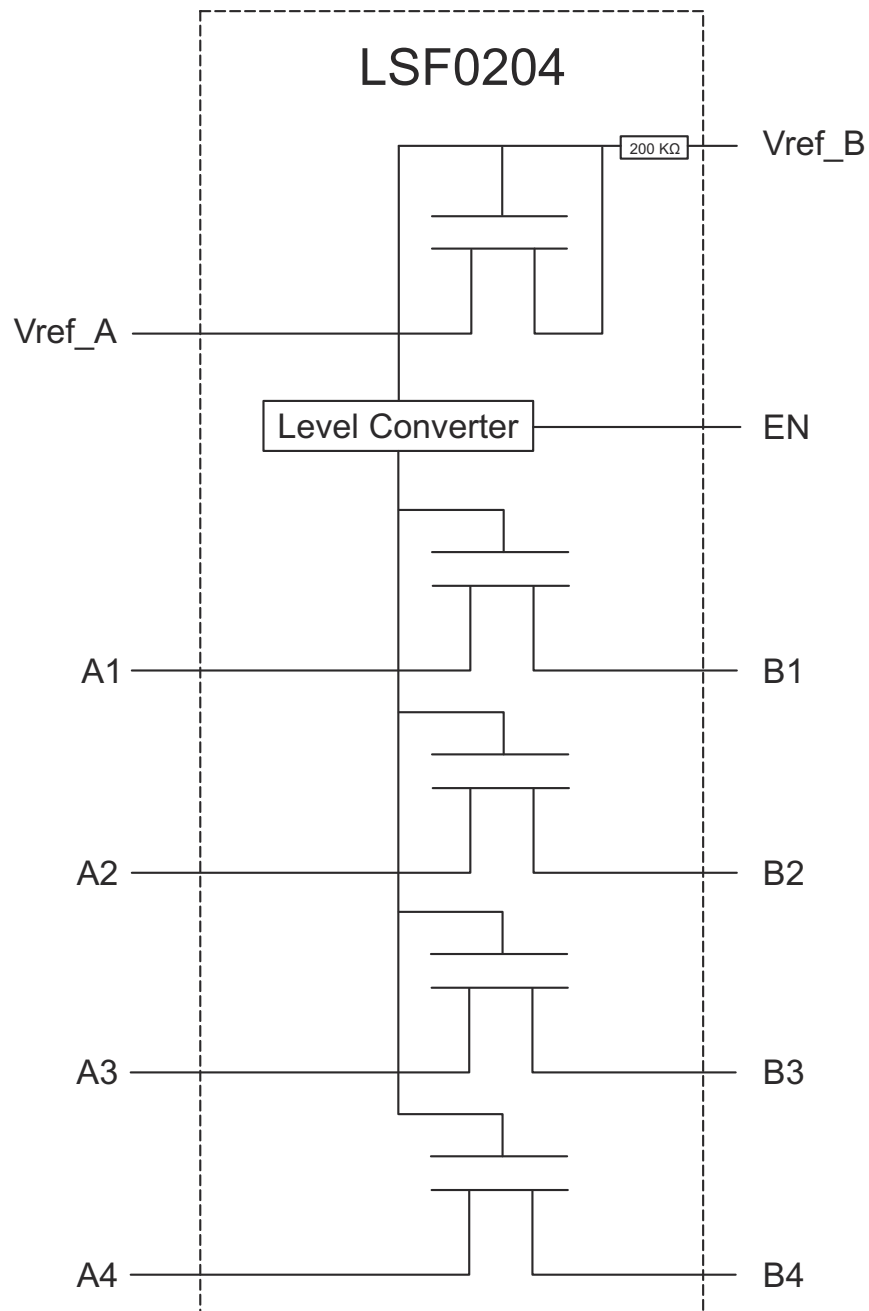
图 8-4. t_{pLZ} , t_{pZL}

9 Detailed Description

9.1 Overview

The LSF Family may be used in level translation applications for interfacing devices or systems operating at different interface voltages with one another. The LSF Family is ideal for use in applications where an open-drain driver is connected to the data I/Os. LSF can achieve 100 MHz with the appropriate pull-up resistors and layout. The LSF Family may also be used in applications where a push-pull driver is connected to the data I/Os.

9.2 Functional Block Diagram



9.3 Feature Description

9.3.1 Support High Speed Translation, Greater than 100 MHz

Allows the LSF family to support more consumer or telecom interfaces (MDIO or SDIO).

9.3.2 Bidirectional Voltage Translation Without DIR Terminal

Minimizes system effort to develop voltage translation for bidirectional interface (PMBus, I2C, or SMBus).

9.3.3 5-V Tolerance on IO Port and 125°C Support

The LSF family, with 5-V tolerance and 125°C support, is flexible and compliant with TTL levels in industrial and telecom applications.

9.3.4 Channel Specific Translation

The LSF family is able to set up different voltage translation levels on each channel.

9.3.5 Ioff, Partial Power Down Mode

When V_{ref_A} , $V_{ref_B} = 0$, all of data pins and EN pin are Hi-Z.

EN logic circuit is supplied by V_{ref_A} , once V_{ref_A} power up first and all of data pins are unknown state until V_{ref_B} and EN ready. No power sequence is required to enable LSF0204 and operate function normally.

9.4 Device Functional Modes

表 9-1 lists the device functional modes of the LSF0204x family of devices.

表 9-1. Function Table

INPUT EN ⁽¹⁾ TERMINAL	FUNCTION
H	An = Bn
L	Hi-Z

(1) EN is controlled by V_{ref_A} logic levels.

10 Application and Implementation

备注

以下应用部分中的信息不属于 TI 器件规格的范围，TI 不担保其准确性和完整性。TI 的客户应负责确定器件是否适用于其应用。客户应验证并测试其设计，以确保系统功能。

10.1 Application Information

LSF performs voltage translation for open-drain or push-pull interface. 表 10-1 provides some consumer/telecom interfaces as reference in regards to the different channel numbers that are supported by the LSF family.

表 10-1. Voltage Translator for Consumer/Telecom Interface

PART NAME	CH#	INTERFACE
LSF0101	1	GPIO
LSF0102	2	GPIO, MDIO, SMBus, PMBus, I2C
LSF0204	4	GPIO, SPI, MDIO, SMBus, PMBus, I2C, UART, SVID
LSF0108	8	GPIO, MDIO, SDIO, SVID, UART, SMBus, PMBus, I2C, SPI

10.2 Typical Applications

10.2.1 I²C PMBus, SMBus, GPIO, Application

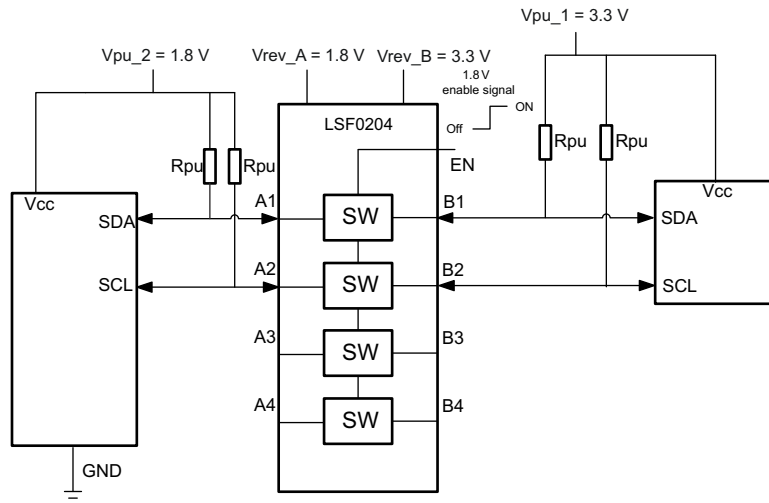


图 10-1. Bidirectional Translation to Multiple Voltage Levels

10.2.1.1 Design Requirements

10.2.1.1.1 Enable, Disable, and Reference Voltage Guidelines

The LSF family has an EN input that is used to disable the device by setting EN LOW, which places all I/Os in the high-impedance state. Since LSF family is switch-type voltage translator, the power consumption is very low. It is recommended to always enable LSF family for bidirectional application (I2C, SMBus, PMBus, or MDIO).

表 10-2. Application Operating Condition

SYMBOL	PARAMETER	MIN	TYP	MAX	UNIT
Vref_A	Reference voltage (A)	0.8		4.5	V
Vref_B	Reference voltage (B)	Vref_A + 0.8		5.5	V
V _{I(EN)} (1)	Input voltage on EN terminal	0		Vref_A	V
Vpu	Pull-up supply voltage	0		Vref_B	V

(1) Refer V_{IH} and V_{IL} for V_{I(EN)}

Also Vref_B is recommended to be at 1.0 V higher than Vref_A for best signal integrity.

The LSF Family is able to set different voltage translation level on each channel.

备注

Vref_A must be set as lowest voltage level.

10.2.1.2 Detailed Design Procedure

10.2.1.2.1 Bidirectional Translation

The controller output driver may be push-pull or open-drain (pull-up resistors may be required) and the peripheral device output can be push-pull or open-drain (pull-up resistors are required to pull the Bn outputs to Vpu).

备注

However, if either output is push-pull, data must be unidirectional or the outputs must be 3-state and be controlled by some direction-control mechanism to prevent HIGH-to-LOW contentions in either direction. If both outputs are open-drain, no direction control is needed.

In 图 10-1, the reference supply voltage (Vref_A) is connected to the processor core power supply voltage. When Vref_B is connected through to a 3.3 V Vpu power supply, and Vref_A is set 1.0V. The output of A3 and B4 has a maximum output voltage equal to Vref_A, and the bidirectional interface (Ch1/2, MDIO) has a maximum output voltage equal to Vpu.

10.2.1.2.1.1 Pull-Up Resistor Sizing

The pull-up resistor value needs to limit the current through the pass transistor when it is in the ON state to about 15 mA. This ensures a pass voltage of 260 mV to 350 mV. If the current through the pass transistor is higher than 15 mA, the pass voltage also is higher in the ON state. To set the current through each pass transistor at 15 mA, to calculate the pull-up resistor value use 方程式 1.

$$R_{pu} = (V_{pu} - 0.35 \text{ V}) / 0.015 \text{ A} \quad (1)$$

表 10-3 summarizes resistor values, reference voltages, and currents at 15 mA, 10 mA, and 3 mA. The resistor value shown in the +10% column (or a larger value) should be used to ensure that the pass voltage of the transistor is 350 mV or less. The external driver must be able to sink the total current from the resistors on both sides of the LSF family device at 0.175 V, although the 15 mA applies only to current flowing through the LSF family device.

表 10-3. Pullup Resistor Values

PULLUP RESISTOR VALUE (Ω)						
V_{DPU}	15 mA	10 mA	3 mA			
	NOMINAL	+10% ⁽¹⁾	NOMINAL	+10% ⁽¹⁾	NOMINAL	+10% ⁽¹⁾
5 V	310	341	465	512	1550	1705
3.3 V	197	217	295	325	983	1082
2.5 V	143	158	215	237	717	788
1.8 V	97	106	145	160	483	532
1.5 V	77	85	115	127	383	422
1.2 V	57	63	85	94	283	312

(1) +10% to compensate for V_{DD} range and resistor tolerance

10.2.1.2.2 LS Family Bandwidth

The maximum frequency of the LSF family is dependent on the application. The device may operate at speeds of >100 MHz given the correct conditions. The maximum frequency is dependent upon the loading of the application. The LSF family behaves like a standard switch where the bandwidth of the device is dictated by the on resistance and on capacitance of the device.

图 10-2 shows a bandwidth measurement of the LSF family using a two-port network analyzer.

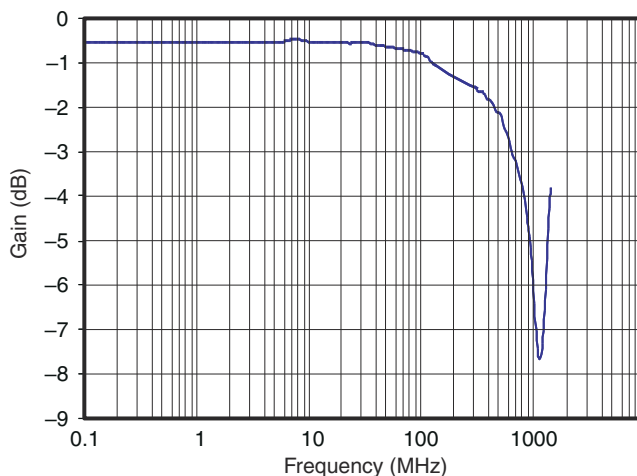


图 10-2. 3-dB Bandwidth

The 3-dB point of the LSF family is ≈ 600 MHz; however, this measurement is an analog type of measurement. For digital applications, the signal should not degrade up to the fifth harmonic of the digital signal. The frequency bandwidth should be at least five times the maximum digital clock rate. This component of the signal is important in determining the overall shape of the digital signal. In the case of the LSF family, a digital clock frequency of greater than 100 MHz may be achieved.

The LSF family does not provide any drive capability. Therefore higher frequency applications will require higher drive strength from the host side. No pullup resistor is needed on the host side (3.3 V) if the LSF family is being driven by standard CMOS totem pole output driver. Best practice is to minimize the trace length from the LSF family on the sink side (1.8 V) to minimize signal degradation.

All fast edges have an infinite spectrum of frequency components; however, there is an inflection (or *knee*) in the frequency spectrum of fast edges where frequency components higher than f_{knee} are insignificant in determining the shape of the signal.

To calculate the maximum *practical* frequency component, or the *knee* frequency (f_{knee}), use the following equations:

$$f_{knee} = 0.5/RT \text{ (10 - 80\%)} \quad (2)$$

$$f_{knee} = 0.4/RT \text{ (20 - 80\%)} \quad (3)$$

For signals with rise time characteristics based on 10- to 90-percent thresholds, f_{knee} is equal to 0.5 divided by the rise time of the signal. For signals with rise time characteristics based on 20% to 80% thresholds, which is very common in many of today's device specifications, f_{knee} is equal to 0.4 divided by the rise time of the signal.

Some guidelines to follow that will help maximize the performance of the device:

- Keep trace length to a minimum by placing the LSF family close to the I²C output of the processor.
- The trace length should be less than half the time of flight to reduce ringing and line reflections or non-monotonic behavior in the switching region.
- To reduce overshoots, a pullup resistor can be added on the 1.8 V side; be aware that a slower fall time is to be expected.

10.2.1.3 Application Curve

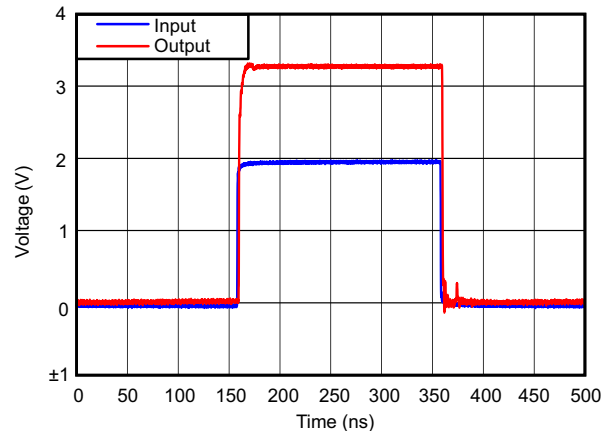


图 10-3. Captured Waveform From Above I²C Set-Up (1.8 V to 3.3 V at 2.5 MHz)

10.2.2 MDIO Application

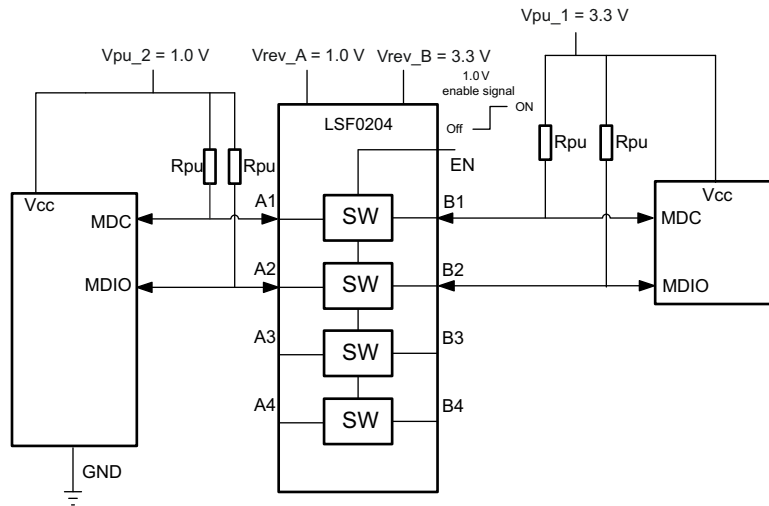


图 10-4. Typical Application Circuit (MDIO/Bidirectional Interface)

10.2.2.1 Design Requirements

Refer to [Design Requirements](#).

10.2.2.2 Detailed Design Procedure

Refer to [Detailed Design Procedure](#)

10.2.2.3 Application Curve

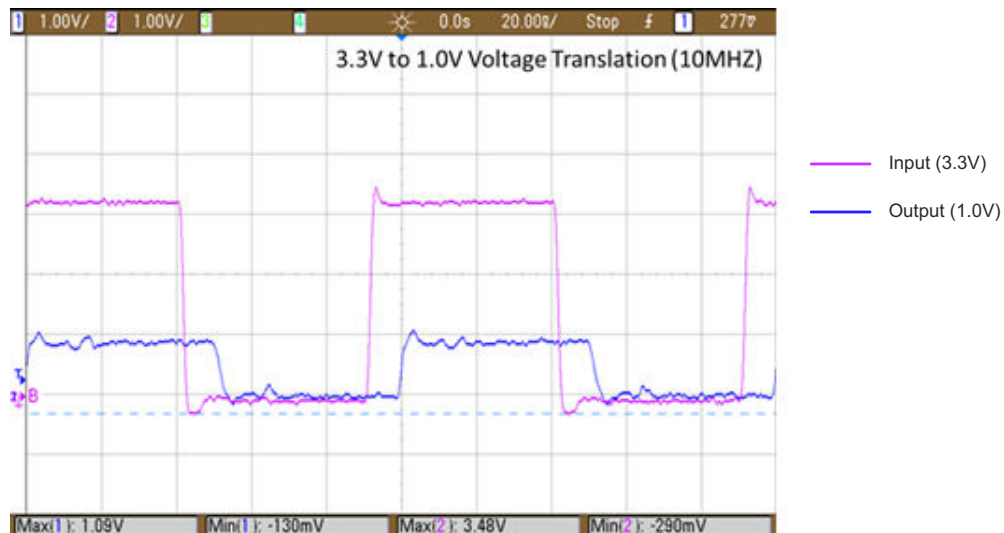
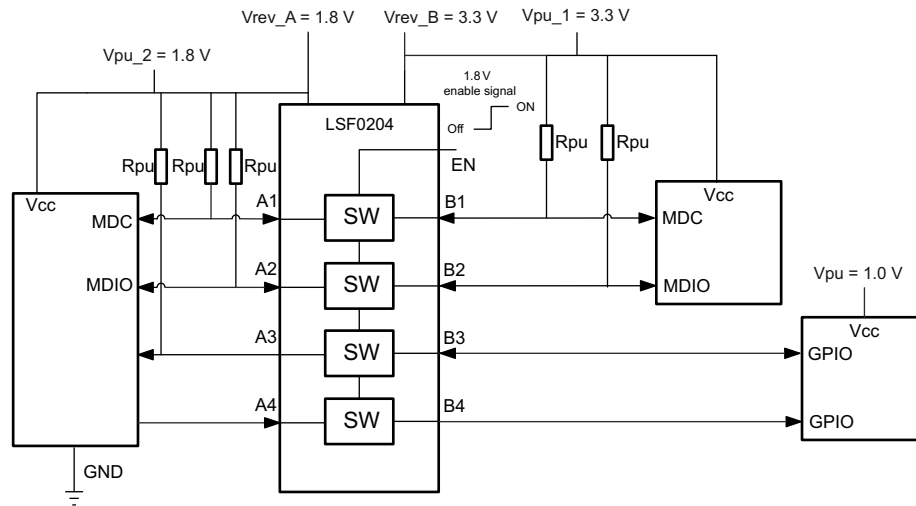


图 10-5. Captured Waveform From Above MDIO Setup

10.2.3 Multiple Voltage Translation in Single Device, Application



10.2.3.1 Design Requirements

Refer to [Design Requirements](#).

10.2.3.2 Detailed Design Procedure

Refer to [Detailed Design Procedure](#)

10.2.3.3 Application Curve

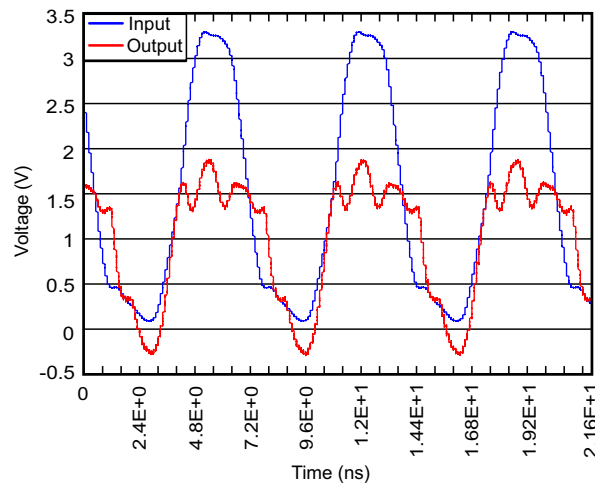


图 10-6. Translation Down (3.3 V to 1.8 V) at 150 MHz

11 Power Supply Recommendations

There are no power sequence requirements for the LSF Family. Refer to [§ 10.2.1.1.1](#) for enabling and reference voltage guidelines.

12 Layout

12.1 Layout Guidelines

The signal integrity is highly related with pull-up resistor and PCB capacitance condition because LSF Family is switch-type level translator

- Short signal trace as possible to reduce capacitance and minimize stub from pull-up resistor.
- Place LSF close to high voltage side.
- Select the appropriate pull-up resistor that applies to translation levels and driving capability of transmitter.

12.2 Layout Example

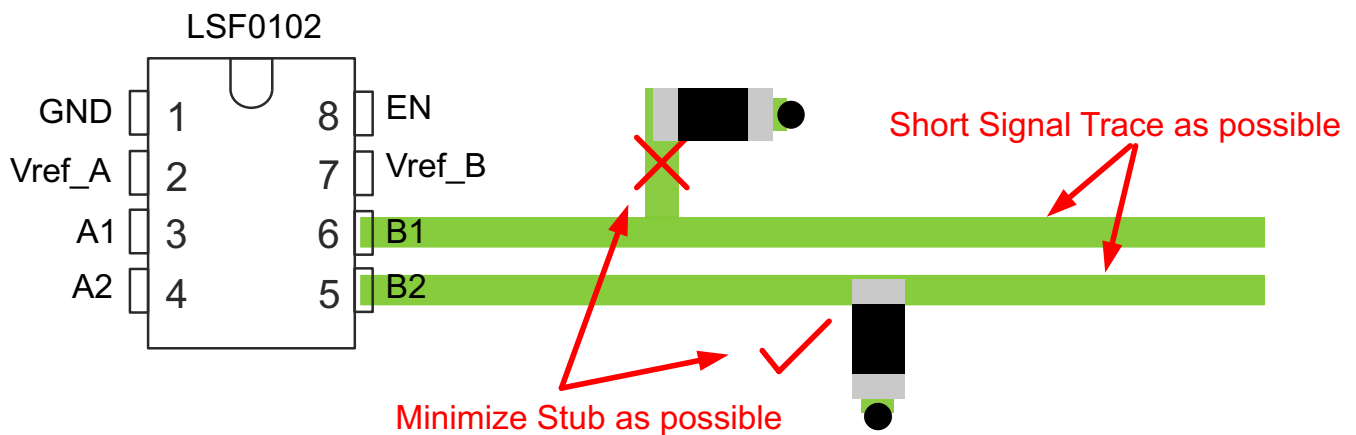


图 12-1. Short Trace Layout

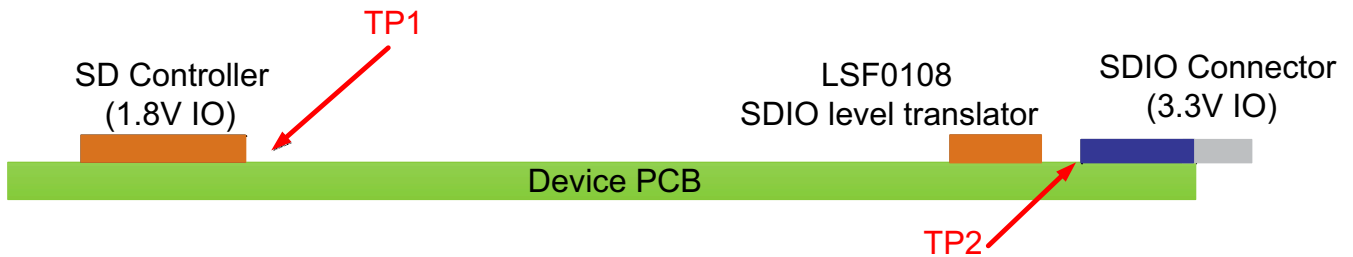


图 12-2. Device Placement

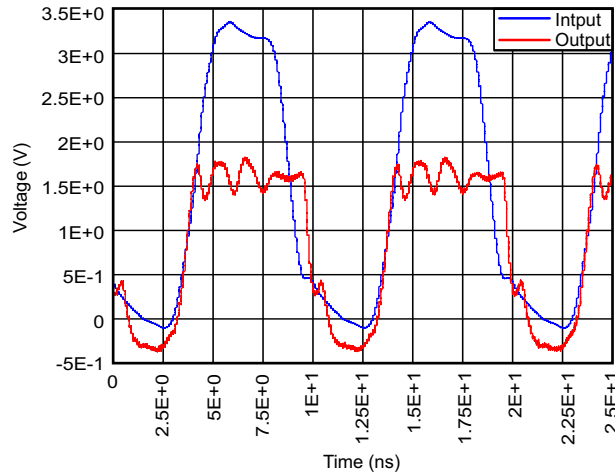


Figure 12-3. Waveform From TP1 (Pullup Resistor: 160-Ω and 50-pF Capacitance 3.3 to 1.8 V at 100 MHz)

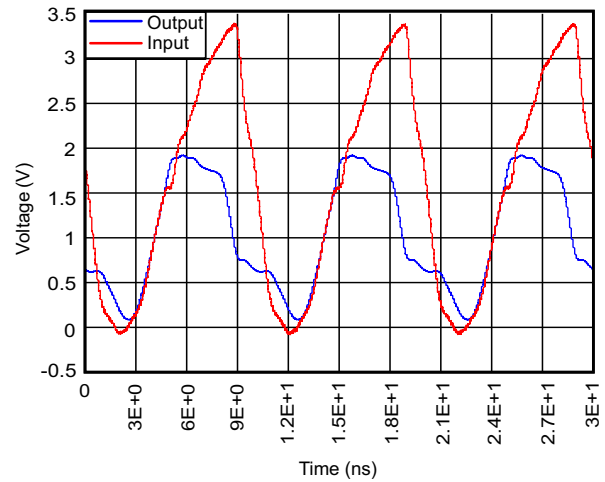


Figure 12-4. Waveform From TP2 (Pullup Resistor: 160-Ω and 50-pF Capacitance 1.8 to 3.3 V at 100 MHz)

13 Device and Documentation Support

13.1 接收文档更新通知

要接收文档更新通知，请导航至 ti.com 上的器件产品文件夹。点击 [订阅更新](#) 进行注册，即可每周接收产品信息更改摘要。有关更改的详细信息，请查看任何已修订文档中包含的修订历史记录。

13.2 支持资源

TI E2E™ 支持论坛 是工程师的重要参考资料，可直接从专家获得快速、经过验证的解答和设计帮助。搜索现有解答或提出自己的问题可获得所需的快速设计帮助。

链接的内容由各个贡献者“按原样”提供。这些内容并不构成 TI 技术规范，并且不一定反映 TI 的观点；请参阅 TI 的《[使用条款](#)》。

13.3 Trademarks

TI E2E™ is a trademark of Texas Instruments.
所有商标均为其各自所有者的财产。

13.4 Electrostatic Discharge Caution



This integrated circuit can be damaged by ESD. Texas Instruments recommends that all integrated circuits be handled with appropriate precautions. Failure to observe proper handling and installation procedures can cause damage.

ESD damage can range from subtle performance degradation to complete device failure. Precision integrated circuits may be more susceptible to damage because very small parametric changes could cause the device not to meet its published specifications.

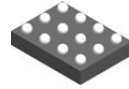
13.5 术语表

TI 术语表 本术语表列出并解释了术语、首字母缩略词和定义。

14 Mechanical, Packaging, and Orderable Information

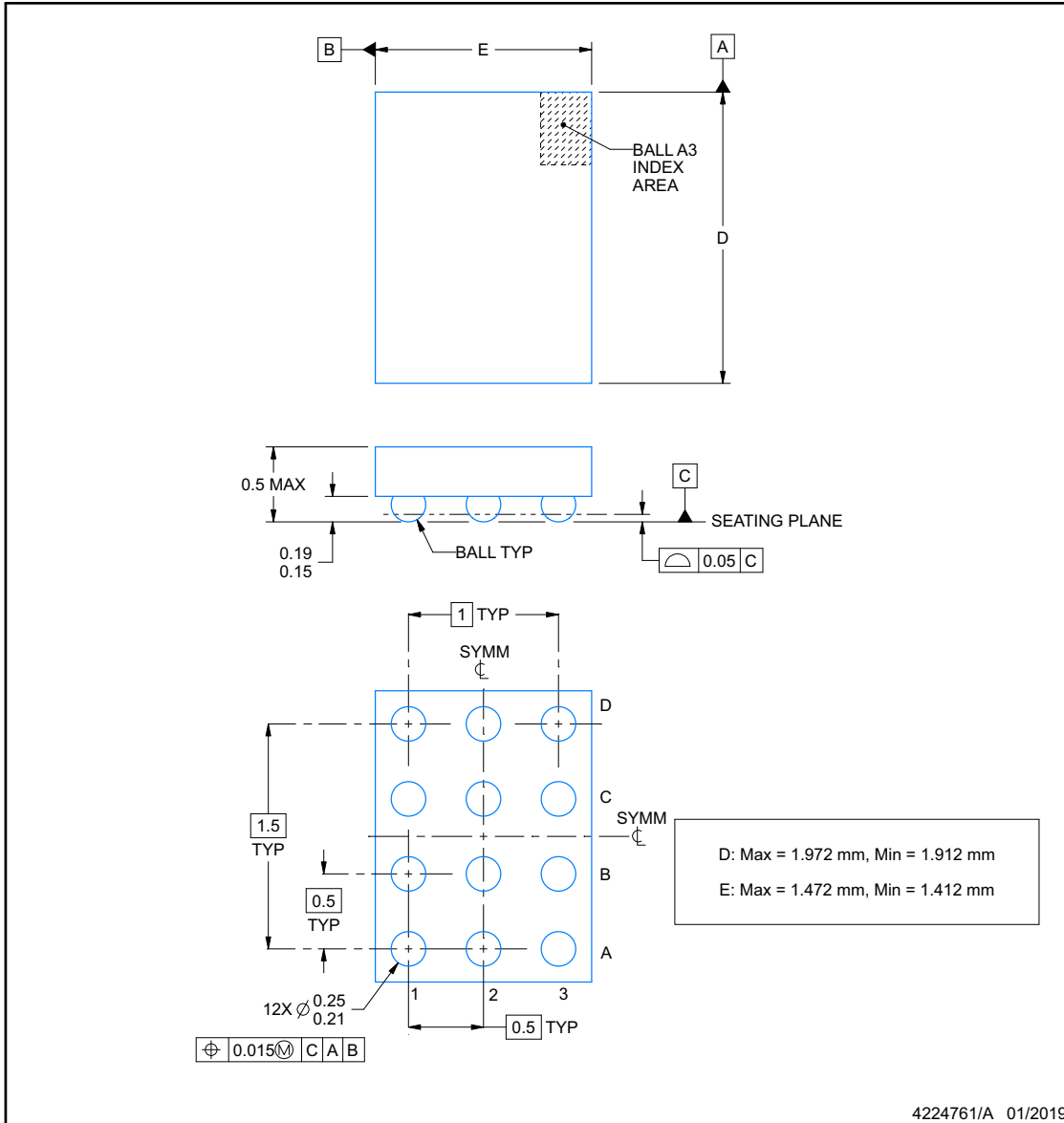
The following pages include mechanical, packaging, and orderable information. This information is the most current data available for the designated devices. This data is subject to change without notice and revision of this document. For browser-based versions of this data sheet, refer to the left-hand navigation.

LSF0204/LSF0204D
YZP0012-C01



PACKAGE OUTLINE
DSBGA - 0.5 mm max height

DIE SIZE BALL GRID ARRAY



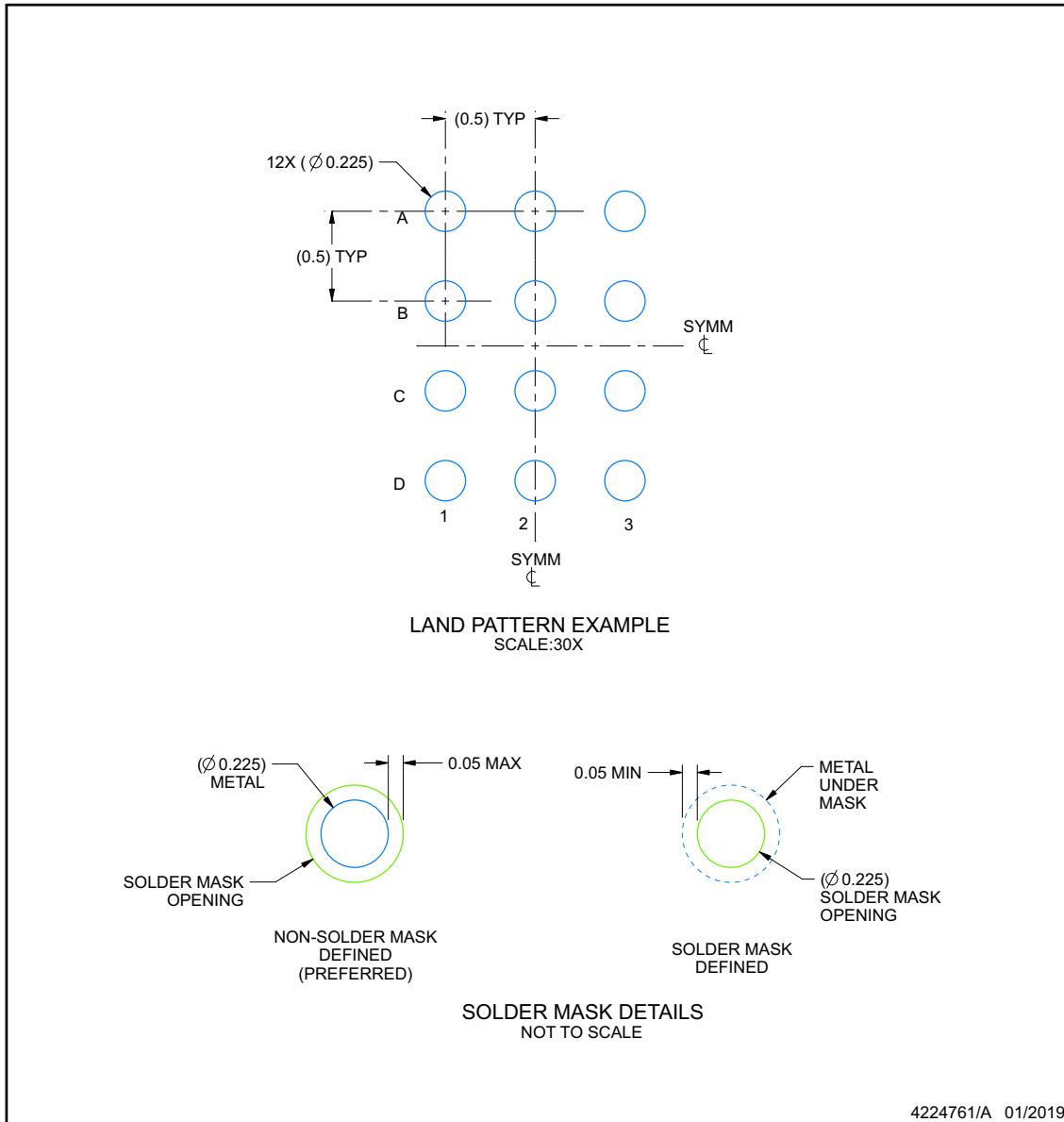
NOTES:

1. All linear dimensions are in millimeters. Any dimensions in parenthesis are for reference only. Dimensioning and tolerancing per ASME Y14.5M.
2. This drawing is subject to change without notice.

LSF0204/LSF0204D
YZP0012-C01

EXAMPLE BOARD LAYOUT
DSBGA - 0.5 mm max height

DIE SIZE BALL GRID ARRAY



NOTES: (continued)

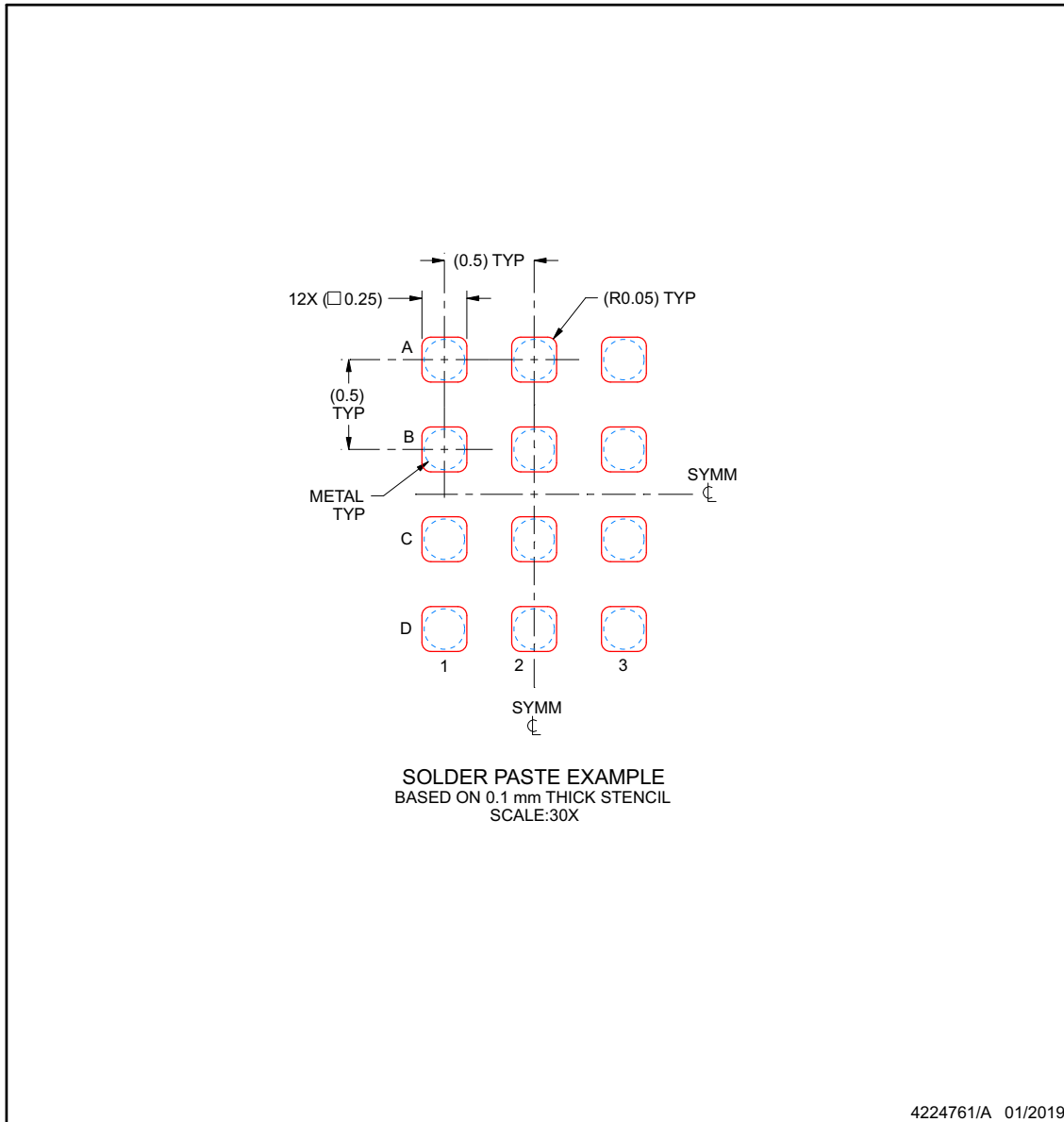
- 3. Final dimensions may vary due to manufacturing tolerance considerations and also routing constraints. For more information, see Texas Instruments literature number SBVA017 (www.ti.com/lit/sbva017).

LSF0204/LSF0204D
YZP0012-C01

EXAMPLE STENCIL DESIGN

DSBGA - 0.5 mm max height

DIE SIZE BALL GRID ARRAY



NOTES: (continued)

- 4. Laser cutting apertures with trapezoidal walls and rounded corners may offer better paste release.

TAPE AND REEL INFORMATION

QUADRANT ASSIGNMENTS FOR PIN 1 ORIENTATION IN TAPE


*All dimensions are nominal

Device	Package Type	Package Drawing	Pins	SPQ	Reel Diameter (mm)	Reel Width W1 (mm)	A0 (mm)	B0 (mm)	K0 (mm)	P1 (mm)	W (mm)	Pin1 Quadrant
LSF0204DPWR	TSSOP	PW	14	2000	330.0	12.4	6.9	5.6	1.6	8.0	12.0	Q1
LSF0204DRGYR	VQFN	RGY	14	3000	330.0	12.4	3.75	3.75	1.15	8.0	12.0	Q2
LSF0204DRUTR	UQFN	RUT	12	3000	180.0	9.5	1.9	2.3	0.75	4.0	8.0	Q1
LSF0204DYZPR	DSBGA	YZP	12	3000	180.0	8.4	1.63	2.08	0.69	4.0	8.0	Q2
LSF0204PWR	TSSOP	PW	14	2000	330.0	12.4	6.9	5.6	1.6	8.0	12.0	Q1
LSF0204RGYR	VQFN	RGY	14	3000	330.0	12.4	3.75	3.75	1.15	8.0	12.0	Q2
LSF0204RUTR	UQFN	RUT	12	3000	180.0	9.5	1.9	2.3	0.75	4.0	8.0	Q1
LSF0204YZPR	DSBGA	YZP	12	3000	180.0	8.4	1.63	2.08	0.69	4.0	8.0	Q2

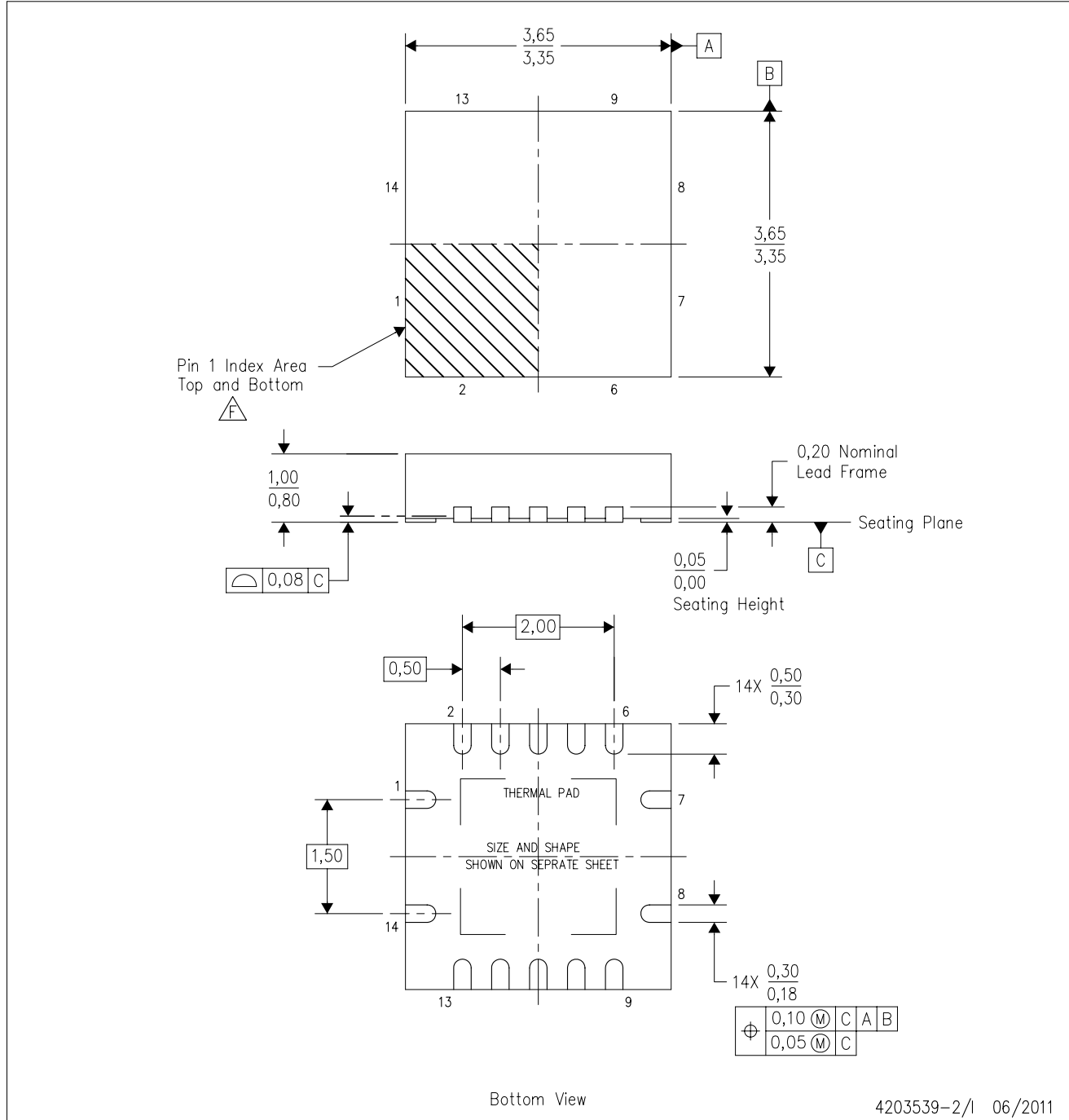
TAPE AND REEL BOX DIMENSIONS


*All dimensions are nominal

Device	Package Type	Package Drawing	Pins	SPQ	Length (mm)	Width (mm)	Height (mm)
LSF0204DPWR	TSSOP	PW	14	2000	364.0	364.0	27.0
LSF0204DRGYR	VQFN	RGY	14	3000	367.0	367.0	35.0
LSF0204DRUTR	UQFN	RUT	12	3000	184.0	184.0	19.0
LSF0204DYZPR	DSBGA	YZP	12	3000	182.0	182.0	20.0
LSF0204PWR	TSSOP	PW	14	2000	364.0	364.0	27.0
LSF0204RGYR	VQFN	RGY	14	3000	367.0	367.0	35.0
LSF0204RUTR	UQFN	RUT	12	3000	184.0	184.0	19.0
LSF0204YZPR	DSBGA	YZP	12	3000	182.0	182.0	20.0

RGY (S-PVQFN-N14)

PLASTIC QUAD FLATPACK NO-LEAD



4203539-2/1 06/2011

- NOTES:
- All linear dimensions are in millimeters. Dimensioning and tolerancing per ASME Y14.5M-1994.
 - This drawing is subject to change without notice.
 - QFN (Quad Flatpack No-Lead) package configuration.
 - The package thermal pad must be soldered to the board for thermal and mechanical performance.
 - See the additional figure in the Product Data Sheet for details regarding the exposed thermal pad features and dimensions.
 - △ Pin 1 identifiers are located on both top and bottom of the package and within the zone indicated. The Pin 1 identifiers are either a molded, marked, or metal feature.
 - Package complies to JEDEC MO-241 variation BA.

RGY (S-PVQFN-N14)

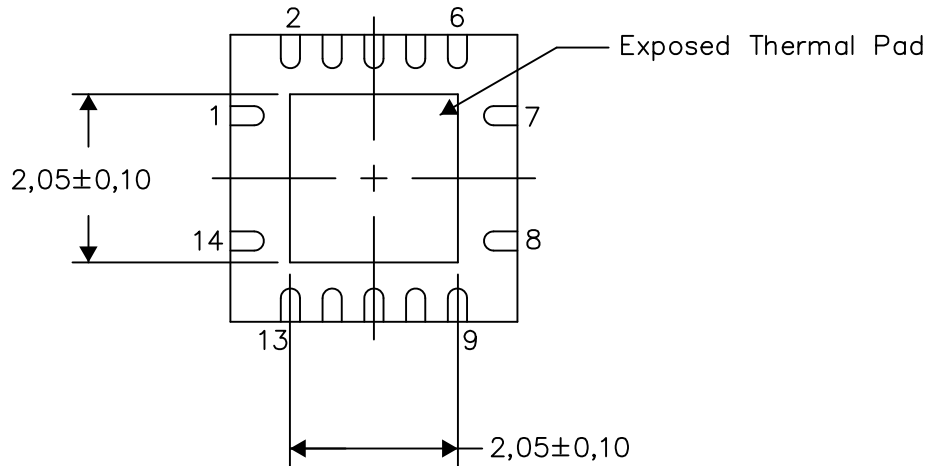
PLASTIC QUAD FLATPACK NO-LEAD

THERMAL INFORMATION

This package incorporates an exposed thermal pad that is designed to be attached directly to an external heatsink. The thermal pad must be soldered directly to the printed circuit board (PCB). After soldering, the PCB can be used as a heatsink. In addition, through the use of thermal vias, the thermal pad can be attached directly to the appropriate copper plane shown in the electrical schematic for the device, or alternatively, can be attached to a special heatsink structure designed into the PCB. This design optimizes the heat transfer from the integrated circuit (IC).

For information on the Quad Flatpack No-Lead (QFN) package and its advantages, refer to Application Report, QFN/SON PCB Attachment, Texas Instruments Literature No. SLUA271. This document is available at www.ti.com.

The exposed thermal pad dimensions for this package are shown in the following illustration.



Bottom View

Exposed Thermal Pad Dimensions

4206353-2/P 03/14

NOTE: All linear dimensions are in millimeters

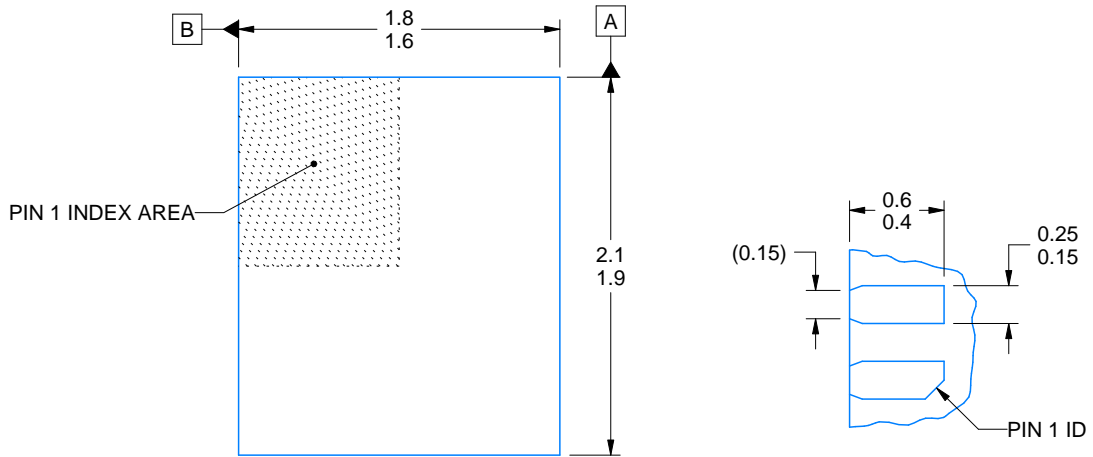
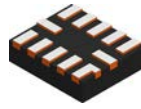
RGY (S-PVQFN-N14)

PLASTIC QUAD FLATPACK NO-LEAD

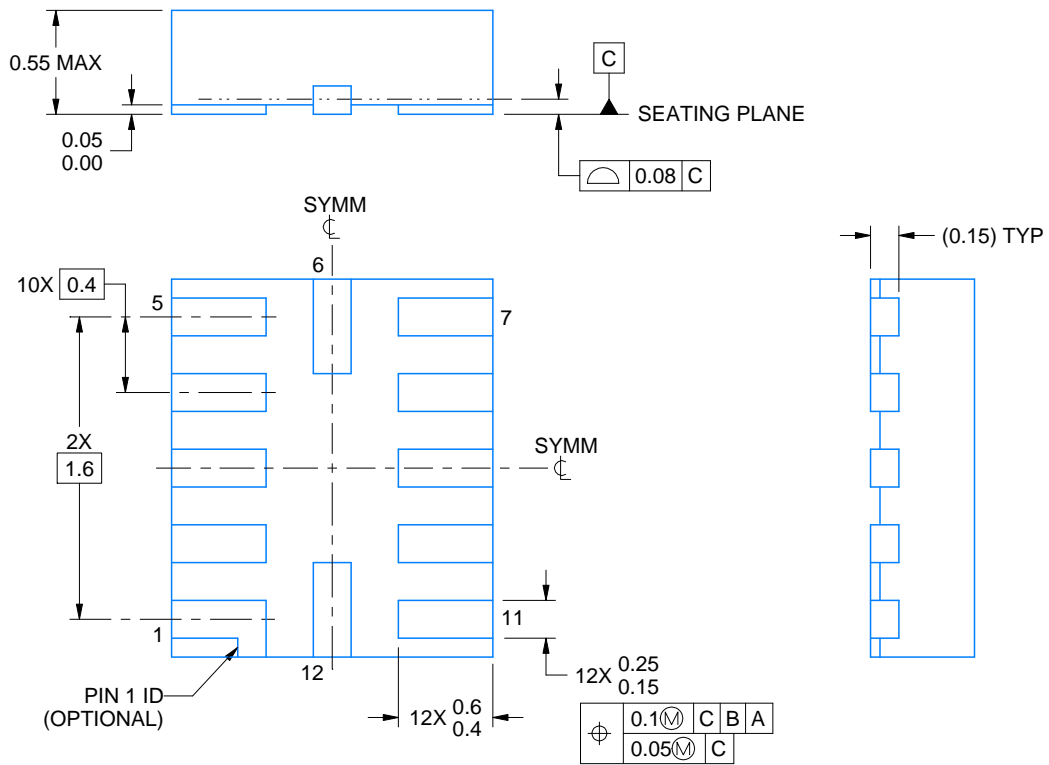


4208122-2/P 03/14

- NOTES:
- All linear dimensions are in millimeters.
 - This drawing is subject to change without notice.
 - Publication IPC-7351 is recommended for alternate designs.
 - This package is designed to be soldered to a thermal pad on the board. Refer to Application Note, Quad Flat-Pack QFN/SON PCB Attachment, Texas Instruments Literature No. SLUA271, and also the Product Data Sheets for specific thermal information, via requirements, and recommended board layout. These documents are available at www.ti.com <<http://www.ti.com>>.
 - Laser cutting apertures with trapezoidal walls and also rounding corners will offer better paste release. Customers should contact their board assembly site for stencil design recommendations. Refer to IPC 7525 for stencil design considerations.
 - Customers should contact their board fabrication site for minimum solder mask web tolerances between signal pads.



OPTIONAL TERMINAL & PIN 1 ID



4220310/A 11/2016

NOTES:

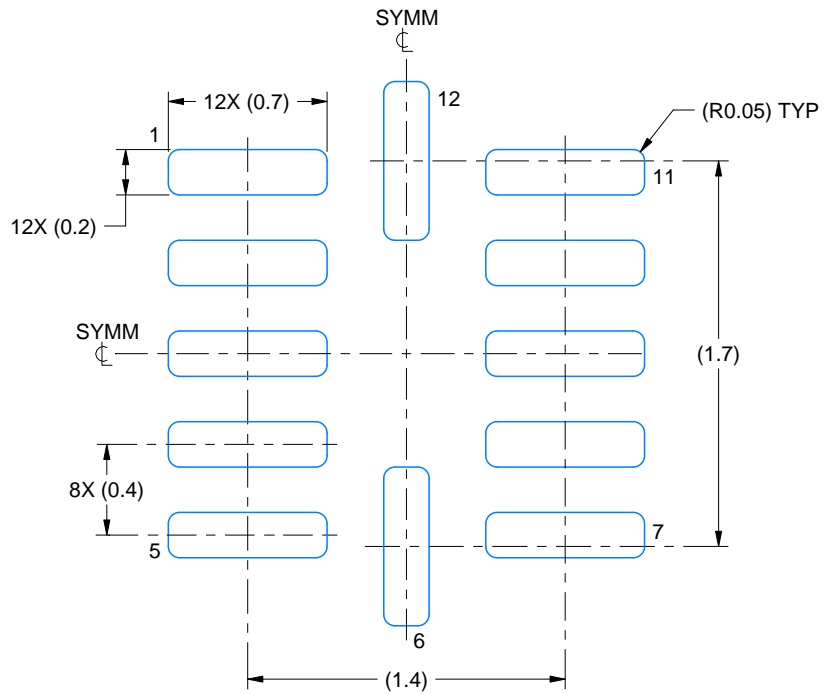
1. All linear dimensions are in millimeters. Any dimensions in parenthesis are for reference only. Dimensioning and tolerancing per ASME Y14.5M.
2. This drawing is subject to change without notice.

EXAMPLE BOARD LAYOUT

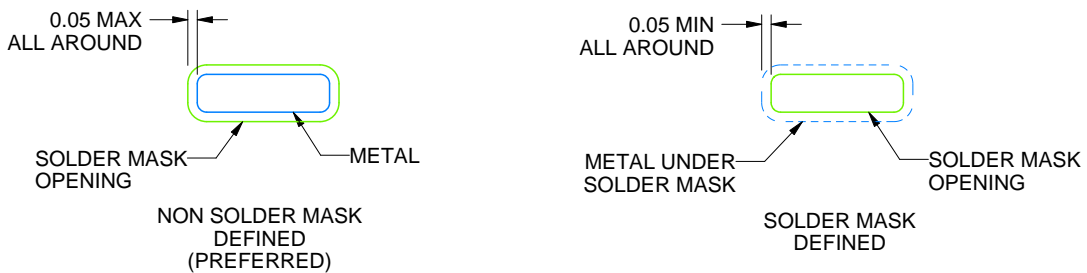
RUT0012A

UQFN - 0.55 mm max height

PLASTIC QUAD FLATPACK - NO LEAD



LAND PATTERN EXAMPLE
SCALE:30X



SOLDER MASK DETAILS

4220310/A 11/2016

NOTES: (continued)

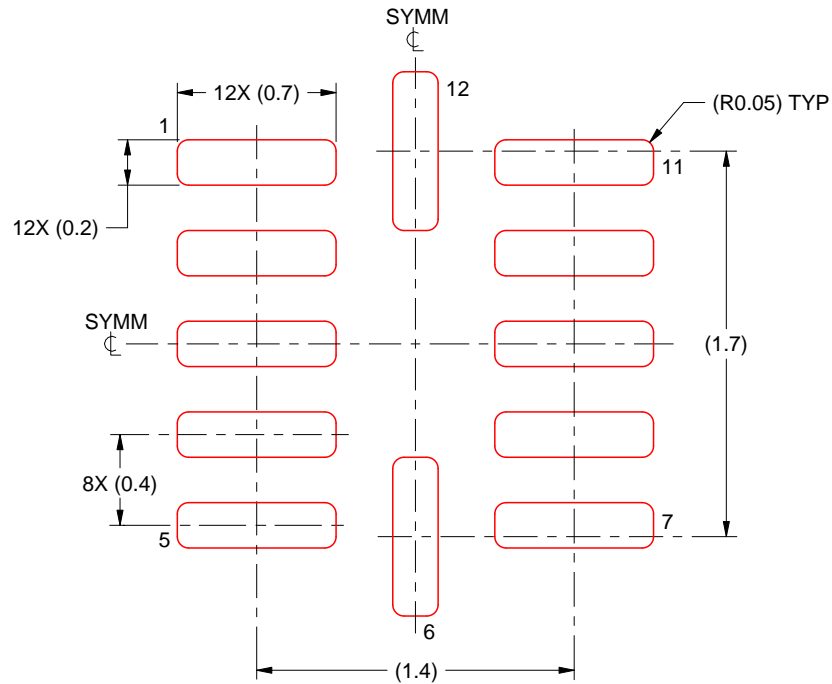
3. For more information, see Texas Instruments literature number SLUA271 (www.ti.com/lit/sluea271).

EXAMPLE STENCIL DESIGN

RUT0012A

UQFN - 0.55 mm max height

PLASTIC QUAD FLATPACK - NO LEAD



SOLDER PASTE EXAMPLE
BASED ON 0.1 mm THICK STENCIL
SCALE: 30X

4220310/A 11/2016

NOTES: (continued)

4. Laser cutting apertures with trapezoidal walls and rounded corners may offer better paste release. IPC-7525 may have alternate design recommendations.

PW (R-PDSO-G14)

PLASTIC SMALL OUTLINE



4211284-2/G 08/15

- NOTES:
- A. All linear dimensions are in millimeters.
 - B. This drawing is subject to change without notice.
 - C. Publication IPC-7351 is recommended for alternate designs.
 - D. Laser cutting apertures with trapezoidal walls and also rounding corners will offer better paste release. Customers should contact their board assembly site for stencil design recommendations. Refer to IPC-7525 for other stencil recommendations.
 - E. Customers should contact their board fabrication site for solder mask tolerances between and around signal pads.

重要声明和免责声明

TI“按原样”提供技术和可靠性数据（包括数据表）、设计资源（包括参考设计）、应用或其他设计建议、网络工具、安全信息和其他资源，不保证没有瑕疵且不做任何明示或暗示的担保，包括但不限于对适销性、某特定用途方面的适用性或不侵犯任何第三方知识产权的暗示担保。

这些资源可供使用 TI 产品进行设计的熟练开发人员使用。您将自行承担以下全部责任：(1) 针对您的应用选择合适的 TI 产品，(2) 设计、验证并测试您的应用，(3) 确保您的应用满足相应标准以及任何其他功能安全、信息安全、监管或其他要求。

这些资源如有变更，恕不另行通知。TI 授权您仅可将这些资源用于研发本资源所述的 TI 产品的应用。严禁对这些资源进行其他复制或展示。您无权使用任何其他 TI 知识产权或任何第三方知识产权。您应全额赔偿因在这些资源的使用中对 TI 及其代表造成的任何索赔、损害、成本、损失和债务，TI 对此概不负责。

TI 提供的产品受 [TI 的销售条款](#) 或 [ti.com](#) 上其他适用条款/TI 产品随附的其他适用条款的约束。TI 提供这些资源并不会扩展或以其他方式更改 TI 针对 TI 产品发布的适用的担保或担保免责声明。

TI 反对并拒绝您可能提出的任何其他或不同的条款。

邮寄地址：Texas Instruments, Post Office Box 655303, Dallas, Texas 75265

Copyright © 2023，德州仪器 (TI) 公司