

**BIDIRECTIONAL
ESD PROTECTION DIODE**

**STAND-OFF VOLTAGE - 5.0 V
POWER DISSIPATION - 30 W**

GENERAL DESCRIPTION

The L03ESDL5V0CE2 is designed to protect sensitive electronics from damage or latch up due to ESD, lightning, and other voltage induced transient events.

FEATURES

- Bi-directional ESD protection of one line
- Max. peak pulse power: $P_{PP} = 30W$ at $t_p=8/20$ us.
- Low clamping voltage
- IEC 61000-4-2 (ESD), level 4(ESD), $>\pm 20KV$ (air); $>\pm 10KV$ (contact).
- Qualified to AEC-Q101 Rev_C

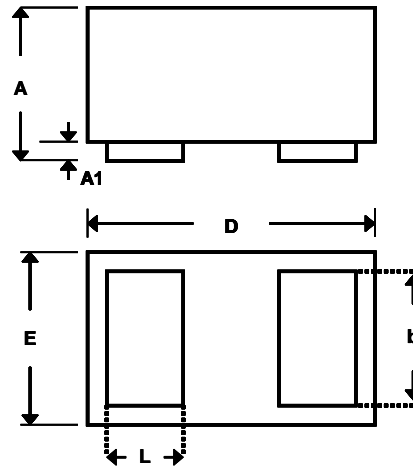
APPLICATION

- Computers and peripherals
- Communication system
- Audio & video equipment
- Portable instrumentation

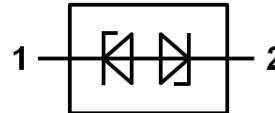
MECHANICAL DATA

- Case material: "Green" molding compound UL flammability classification 94V-0 (No Br, Sb, Cl)
- Component in accordance to RoHs 2011/65/EU

SOD-882



SOD-882		
DIM.	MIN.	MAX.
A	0.47	0.53
A1	0.00	0.05
b	0.25	0.55
D	0.95	1.075
E	0.55	0.675
L	0.20	0.45
All dimension in millimeter		



PIN ASSIGNMENT	
1	Cathode
2	Cathode

MAXIMUM RATINGS AND ELECTRICAL CHARACTERISTICS

Ratings at 25°C ambient temperature unless otherwise specified.

PARAMETER	SYMBOL	VALUE	UNIT
Peak pulse power ($t_p = 8/20$ us)	P_{PM}	30	W
Peak pulse current ($t_p = 8/20$ us)	I_{pp}	2	A
Operating junction temperature range	T_J	-55 to +105	°C
Storage temperature range	T_{STG}	-55 to +150	°C
Soldering Temperature, $t_{max} = 10s$	T_L	260	°C

ELECTRICAL CHARACTERISTICS

PARAMETER	SYMBOL	CONDITIONS	MIN.	TYP.	MAX	UNIT
Reverse stand-off voltage	V_{DRM}	---	--	--	5.0	V
Reverse leakage current	I_{RM}	$V_{DRM} = 5$ V	--	--	100	nA
Breakdown voltage	V_{BR}	$I_R = 1$ mA	5.5	--	9.5	V
Junction Capacitance	C_J	$V_R = 0V, f = 1MHz$	--	3.0	3.5	pF
Clamping voltage	V_{CL}	$I_{PP} = 1A, t_p = 8/20$ uS	--	--	12	V
		$I_{PP} = 2A, t_p = 8/20$ uS	--	--	15	V

REV.7 MAY.-2019, KSIR51

FIG.1- 8/20us pulse waveform according to IEC 61000-4-5

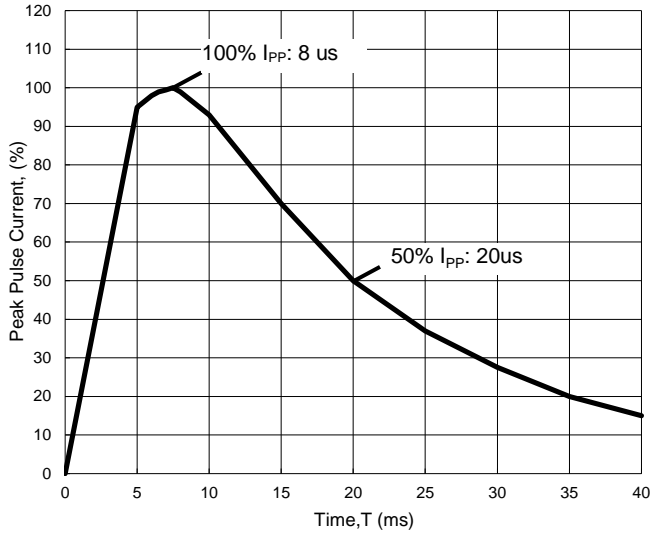


FIG .2- ESD pulse waveform according to IEC 61000-4-2

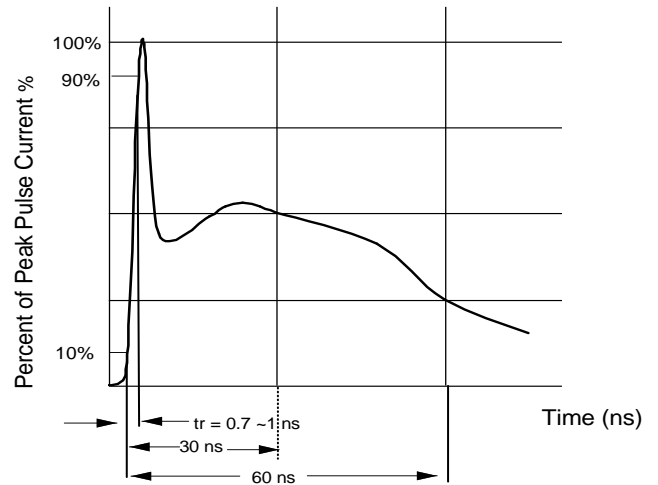


FIG.3- Power Dissipation Versus Pulse Time

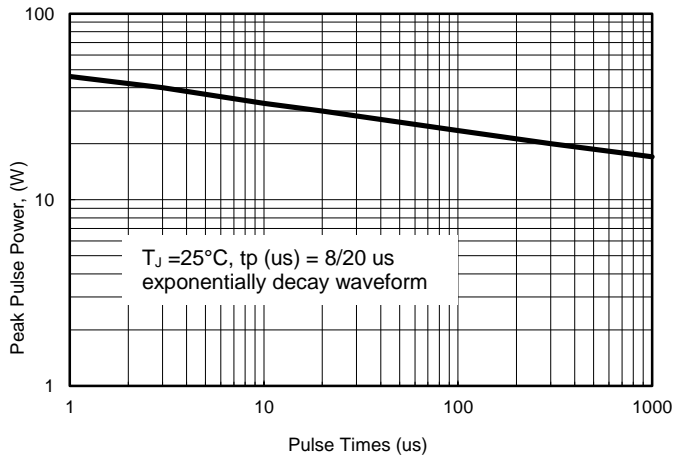


FIG.4- Peak Pulse Power Versus TJ

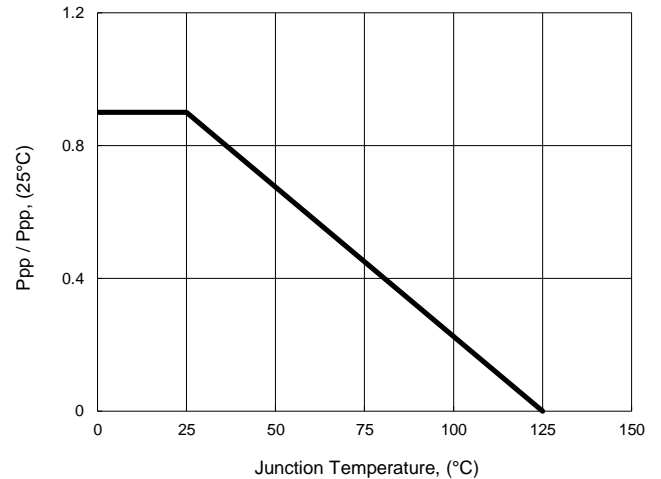


FIG.5- Typical Junction Capacitance

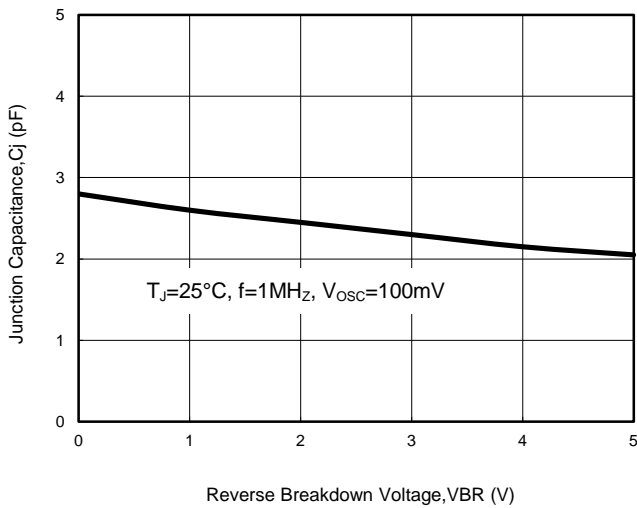
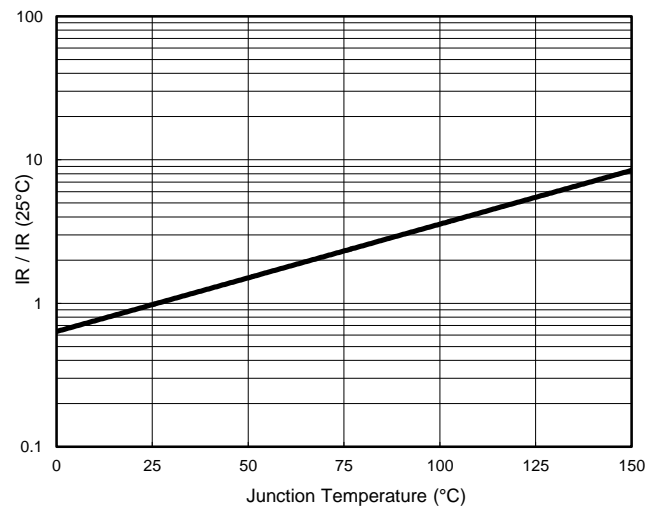


FIG.6- Reverse Leakage Current Versus TJ



RATING AND CHARACTERISTIC CURVES
L03ESDL5V0CE2

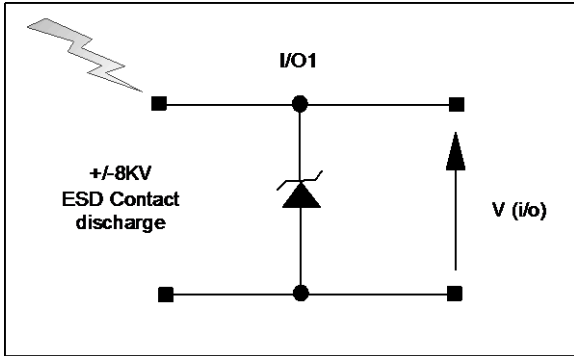


FIG.7- ESD Test Configuration

FIG.8- Clamped +8 kV ESD voltage waveform

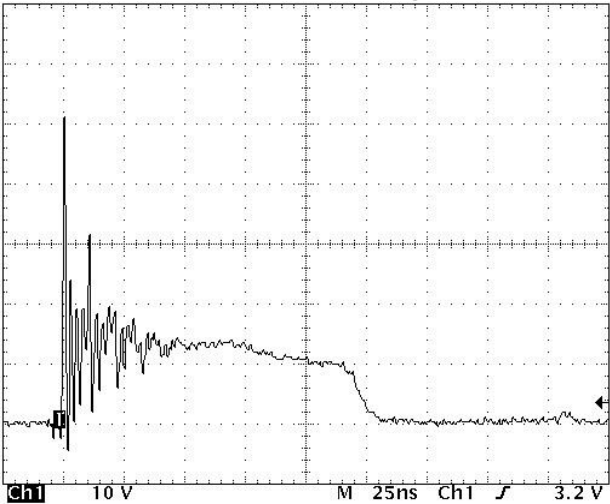
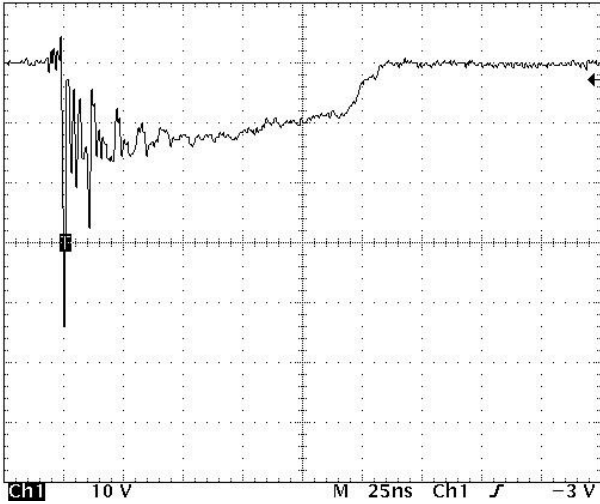
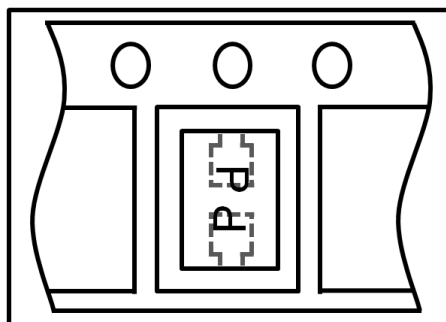


FIG.9- Clamped -8 kV ESD voltage waveform



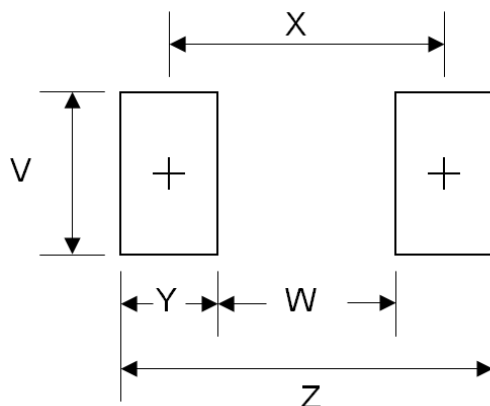
Marking & Orientation



Packaging Information

DEVICE	Q'TY/REEL (PCS)	REEL DIA. (INCH)	Q'TY/BOX (PCS)	Q'TY/CARTON (PCS)
L03ESDL5V0CE2	10K	7	150K	300K

SOD-882 Soldering Pad Layout



DIM.	MILLIMETERS	INCHES
Z	1.30	0.051
X	0.75	0.029
W	0.20	0.007
Y	0.55	0.021
V	0.80	0.031

Important Notice and Disclaimer

LSC reserves the right to make changes to this document and its products and specifications at any time without notice. Customers should obtain and confirm the latest product information and specifications before final design, purchase or use.

LSC makes no warranty, representation or guarantee regarding the suitability of its products for any particular purpose, nor does LSC assume any liability for application assistance or customer product design. LSC does not warrant or accept any liability with products which are purchased or used for any unintended or unauthorized application.

No license is granted by implication or otherwise under any intellectual property rights of LSC.

LSC products are not authorized for use as critical components in life support devices or systems without express written approval of LSC.