

OBSOLETE - PART DISCONTINUED

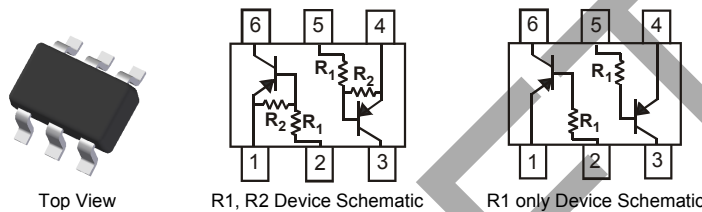
### Features

- Epitaxial Planar Die Construction
- Complementary NPN Types Available (DDC)
- Built-In Biasing Resistors
- Available in Lead Free/RoHS Compliant Version (Note 3)

Part Number	R1	R2	Marking
DDA124EK	22K $\Omega$	22K $\Omega$	P17
DDA144EK	47K $\Omega$	47K $\Omega$	P20
DDA114YK	10K $\Omega$	47K $\Omega$	P14
DDA123JK	2.2K $\Omega$	47K $\Omega$	P06
DDA114EK	10K $\Omega$	10K $\Omega$	P13
DDA143TK	4.7K $\Omega$	-	P07
DDA114TK	10K $\Omega$	-	P12

### Mechanical Data

- Case: SOT-26
- Case Material: Molded Plastic. UL Flammability Classification Rating 94V-0
- Moisture Sensitivity: Level 1 per J-STD-020D
- Terminal Connections: See Diagram
- Terminals: Solderable per MIL-STD-202, Method 208
- Also Available in Lead Free Plating (Matte Tin Finish annealed over Copper leadframe). Please see Ordering Information, Note 5, on Page 5
- Marking Information: See Table and Page 5
- Ordering Information See Page 5
- Weight: 0.015 grams (approximate)



### Maximum Ratings @T<sub>A</sub> = 25°C unless otherwise specified

Characteristic	Symbol	Value	Unit
Supply Voltage, (1) to (6) and (4) to (3)	V <sub>CC</sub>	50	V
Input Voltage, (2) to (1) and (5) to (4)	V <sub>IN</sub>	DDA124EK +10 to -40 DDA144EK +10 to -40 DDA114YK +6 to -40 DDA123JK +5 to -12 DDA114EK +10 to -40 DDA143TK +5V max DDA114TK +5V max	V
Output Current	I <sub>O</sub>	DDA124EK -30 DDA144EK -30 DDA114YK -70 DDA123JK -100 DDA114EK -50 DDA143TK -100 DDA114TK -100	mA
Output Current	I <sub>C(MAX)</sub>	-100	mA

### Thermal Characteristics

Characteristic	Symbol	Value	Unit
Power Dissipation (Total)	P <sub>D</sub>	300	mW
Thermal Resistance, Junction to Ambient Air (Note 1)	R <sub>θJA</sub>	416.7	°C/W
Operating and Storage Temperature Range	T <sub>J</sub> , T <sub>STG</sub>	-55 to +150	°C

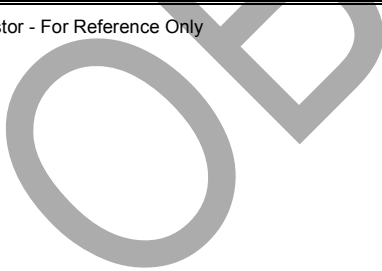
- Notes:
1. Mounted on FR4 PC Board with recommended pad layout at <http://www.diodes.com/datasheets/ap02001.pdf>.
  2. 200mW per element must not be exceeded.
  3. No purposefully added lead.

**Electrical Characteristics** @<sub>T<sub>A</sub></sub> = 25°C unless otherwise specified

Characteristic (DDA143TK & DDA114TK only)	Symbol	Min	Typ	Max	Unit	Test Condition
Collector-Base Breakdown Voltage	BV <sub>CB0</sub>	-50	—	—	V	I <sub>C</sub> = -50μA
Collector-Emitter Breakdown Voltage	BV <sub>CEO</sub>	-50	—	—	V	I <sub>C</sub> = -1mA
Emitter-Base Breakdown Voltage	BV <sub>EBO</sub>	-5	—	—	V	I <sub>E</sub> = -50μA
Collector Cutoff Current	I <sub>CB0</sub>	—	—	-0.5	μA	V <sub>CB</sub> = -50V
Emitter Cutoff Current	I <sub>EBO</sub>	—	—	-0.5	μA	V <sub>EB</sub> = -4V
Collector-Emitter Saturation Voltage	V <sub>CE(SAT)</sub>	—	—	-0.3	V	I <sub>C</sub> /I <sub>B</sub> = -2.5mA / -0.25mA DDA143TK I <sub>C</sub> /I <sub>B</sub> = -1mA / -0.1mA DDA114TK
DC Current Transfer Ratio	h <sub>FE</sub>	100	250	600	—	I <sub>C</sub> = -1mA, V <sub>CE</sub> = -5V
Input Resistor (R <sub>1</sub> ) Tolerance	ΔR <sub>1</sub>	-30	—	+30	%	—
Gain-Bandwidth Product*	f <sub>T</sub>	—	250	—	MHz	V <sub>CE</sub> = -10V, I <sub>E</sub> = 5mA, f = 100MHz

Characteristic	Symbol	Min	Typ	Max	Unit	Test Condition	
Input Voltage	DDA124EK DDA144EK DDA114YK DDA123JK DDA114EK	-0.5 -0.5 -0.3 -0.5 -0.5	-1.1 -1.1 — — -1.1	—	—	V	V <sub>CC</sub> = -5V, I <sub>O</sub> = -100μA
	DDA124EK DDA144EK DDA114YK DDA123JK DDA114EK	—	— — — — -1.9	-1.9 -1.9 -1.4 -1.1 -3.0	-3.0 -3.0	V	V <sub>O</sub> = -0.3, I <sub>O</sub> = -5mA V <sub>O</sub> = -0.3, I <sub>O</sub> = -2mA V <sub>O</sub> = -0.3, I <sub>O</sub> = -1mA V <sub>O</sub> = -0.3, I <sub>O</sub> = -5mA V <sub>O</sub> = -0.3, I <sub>O</sub> = -10mA
Output Voltage	DDA124EK DDA144EK DDA114YK DDA123JK DDA114EK	—	-0.1	-0.3	V	I <sub>O</sub> /I <sub>I</sub> = -10mA / -0.5mA I <sub>O</sub> /I <sub>I</sub> = -10mA / -0.5mA I <sub>O</sub> /I <sub>I</sub> = -5mA / -0.25mA I <sub>O</sub> /I <sub>I</sub> = -5mA / -0.25mA I <sub>O</sub> /I <sub>I</sub> = -10mA / -0.5mA	
Input Current	DDA124EK DDA144EK DDA114YK DDA123JK DDA114EK	—	—	-0.36 -0.18 -0.88 -3.6 -0.88	mA	V <sub>I</sub> = -5V	
Output Current	I <sub>O(OFF)</sub>	—	—	-0.5	μA	V <sub>CC</sub> = 50V, V <sub>I</sub> = 0V	
DC Current Gain	DDA124EK DDA144EK DDA114YK DDA123JK DDA114EK	56 68 68 80 30	—	—	—	V <sub>O</sub> = -5V, I <sub>O</sub> = -5mA V <sub>O</sub> = -5V, I <sub>O</sub> = -5mA V <sub>O</sub> = -5V, I <sub>O</sub> = -10mA V <sub>O</sub> = -5V, I <sub>O</sub> = -10mA V <sub>O</sub> = -5V, I <sub>O</sub> = -5mA	
Input Resistor (R <sub>1</sub> ) Tolerance	ΔR <sub>1</sub>	-30	—	+30	%	—	
Resistance Ratio Tolerance	R <sub>2</sub> /R <sub>1</sub>	-20	—	+20	%	—	
Gain-Bandwidth Product*	f <sub>T</sub>	—	250	—	MHz	V <sub>CE</sub> = -10V, I <sub>E</sub> = -5mA, f = 100MHz	

\* Transistor - For Reference Only

**OBSOLETE - PART DISCONTINUED**


**Typical Curves – DDA123JK One Section**

OBSOLETE – PART DISCONTINUED

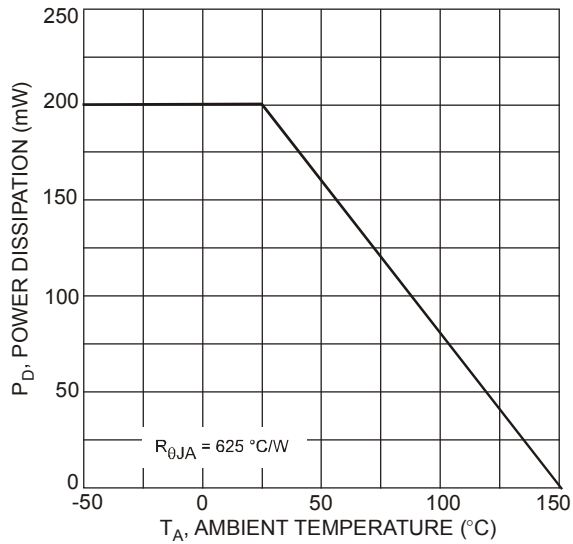


Fig. 1 Power Dissipation vs. Ambient Temperature

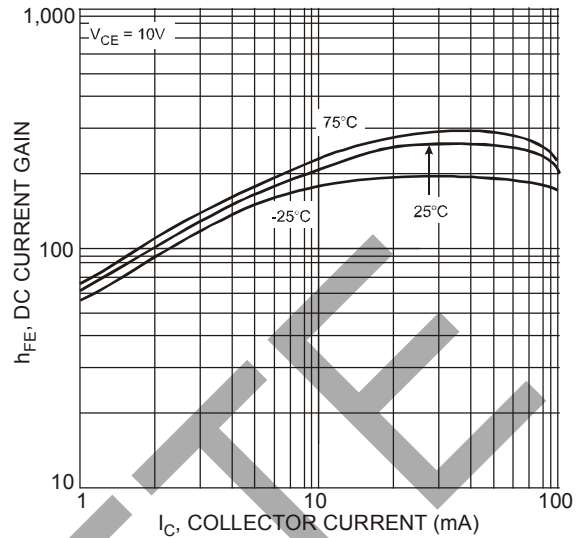


Fig. 2 Typical DC Current Gain vs. Collector Current

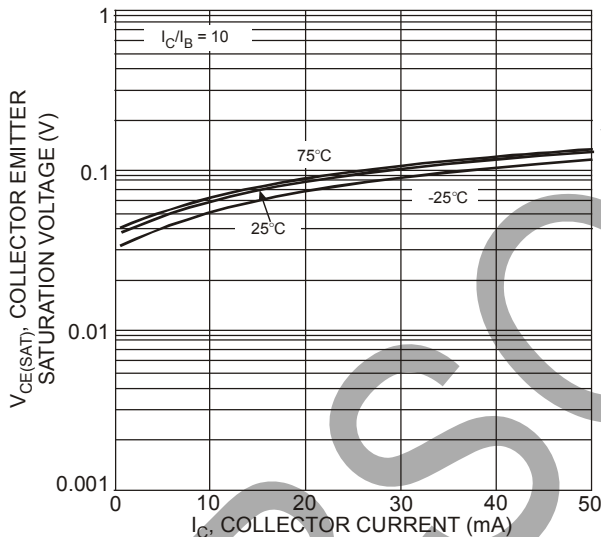


Fig. 3 Typical Collector Emitter Saturation Voltage vs. Collector Current

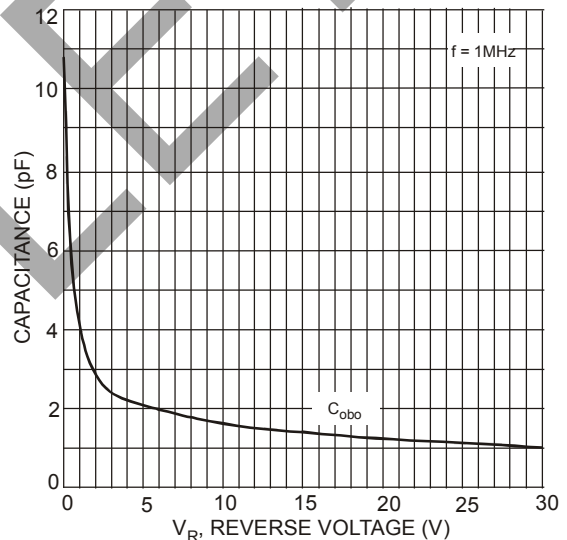


Fig. 4 Typical Capacitance Characteristics

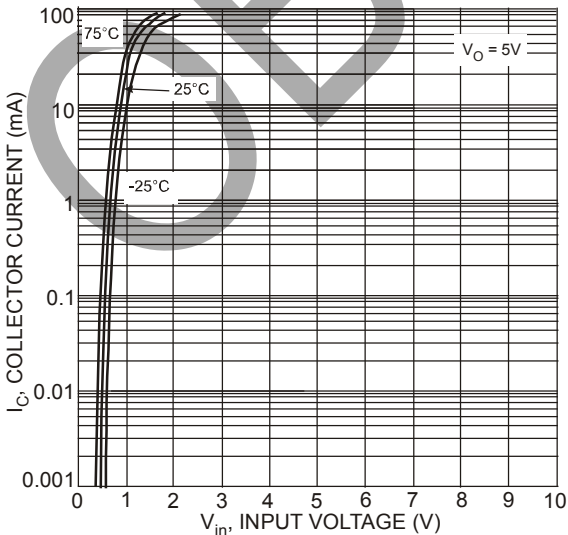


Fig. 5 Collector Current vs. Input Voltage

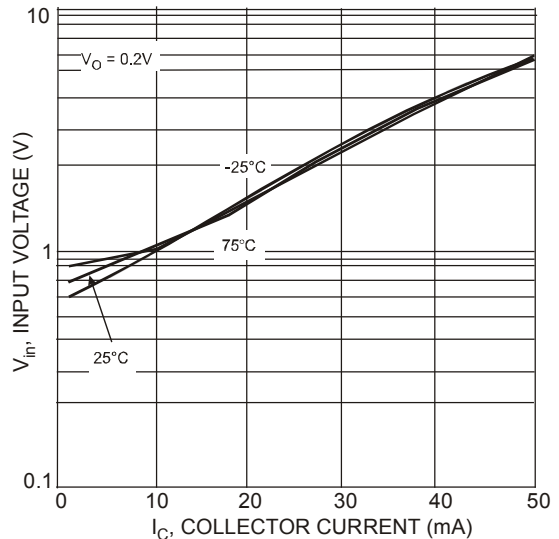


Fig. 6 Input Voltage vs. Collector Current

**Typical Curves – DDA1414TK One Section**

OBSOLETE – PART DISCONTINUED

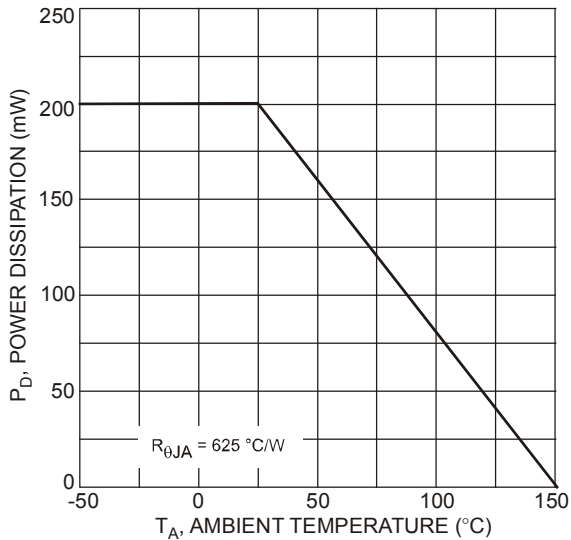


Fig. 1 Power Dissipation vs. Ambient Temperature

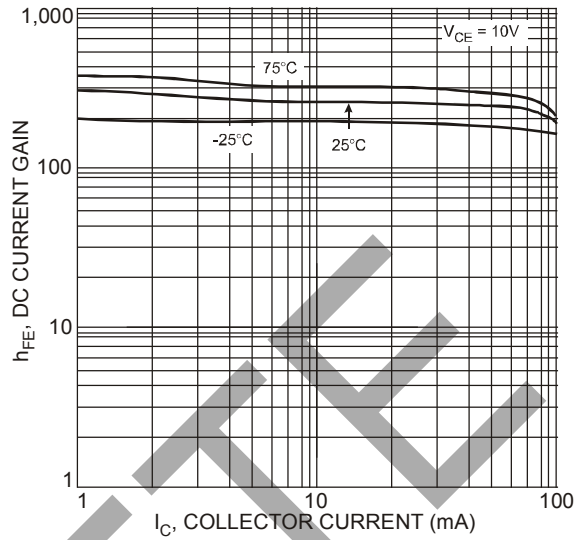


Fig. 2 Typical DC Current Gain vs. Collector Current

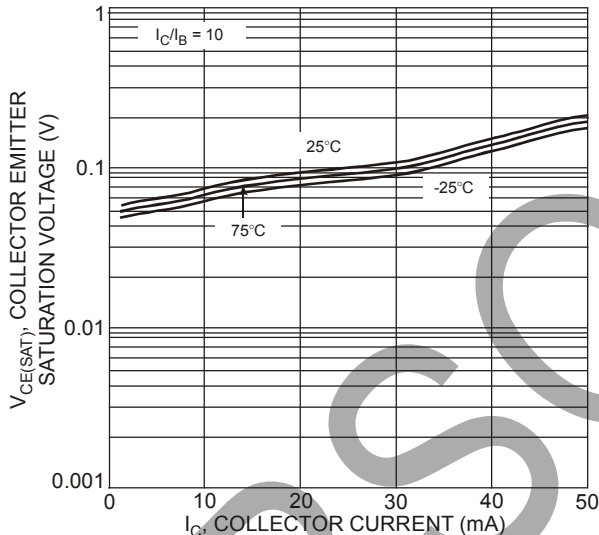


Fig. 3 Typical Collector Emitter Saturation Voltage vs. Collector Current

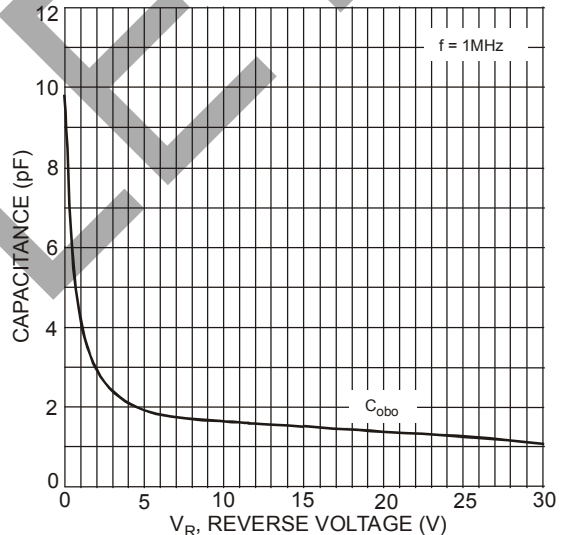


Fig. 4 Typical Capacitance Characteristics

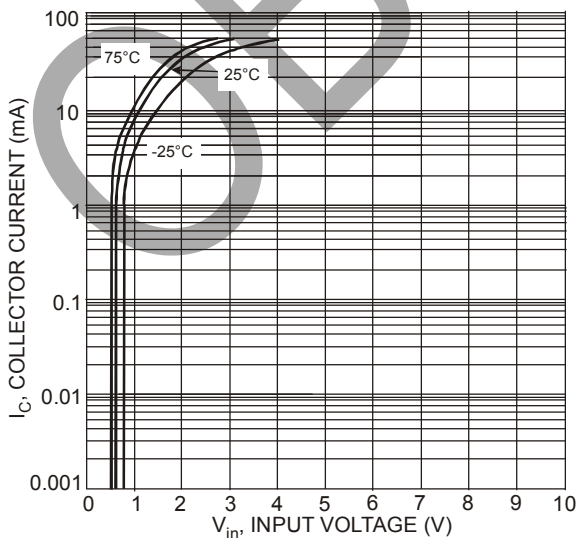


Fig. 5 Collector Current vs. Input Voltage

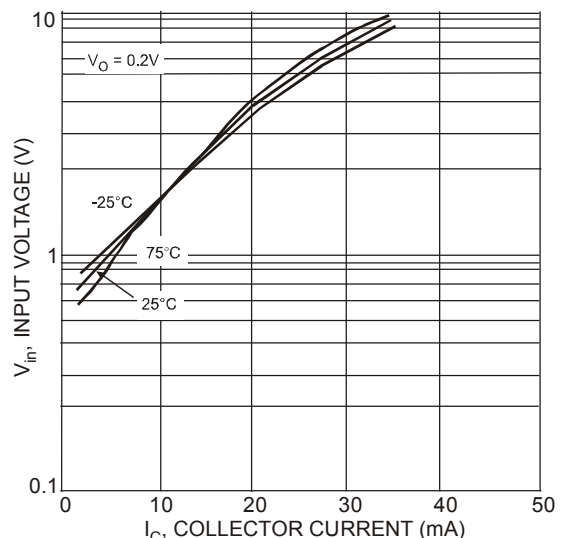


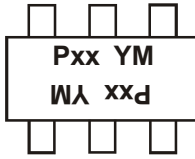
Fig. 6 Input Voltage vs. Collector Current

**Ordering Information** (Notes 4 & 5)

Part Number	Case	Packaging
DDA124EK-7	SOT-26	3000/Tape & Reel
DDA144EK-7	SOT-26	3000/Tape & Reel
DDA114YK-7	SOT-26	3000/Tape & Reel
DDA123JK-7	SOT-26	3000/Tape & Reel
DDA114EK-7	SOT-26	3000/Tape & Reel
DDA143TK-7	SOT-26	3000/Tape & Reel
DDA114TK-7	SOT-26	3000/Tape & Reel

- Notes:
- For packaging details, go to our website at <http://www.diodes.com/datasheets/ap02007.pdf>.
  - For Lead Free/ROHS Compliant version part numbers, please add "-F" suffix to the part numbers above. Example: DDA114TK-7-F.

**Marking Information**



Pxx = Product Type Marking Code (See Page 1)  
 YM = Date Code Marking  
 Y = Year (ex: T = 2006)  
 M = Month (ex: 9 = September)

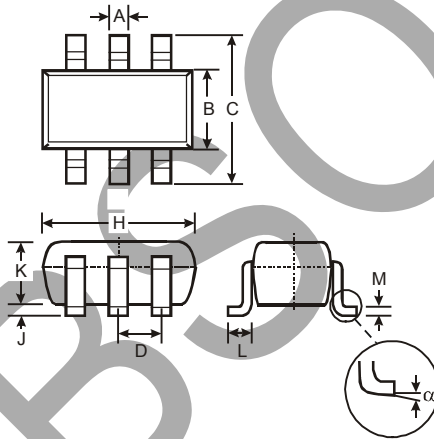
Date Code Key

Year	2006	2007	2008	2009	2010	2011	2012	2013	2014	2015
Code	T	U	V	W	X	Y	Z	A	B	C

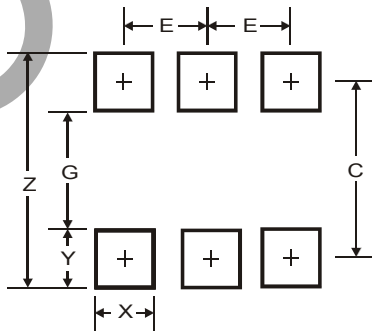
Month	Jan	Feb	Mar	Apr	May	Jun	Jul	Aug	Sep	Oct	Nov	Dec
Code	1	2	3	4	5	6	7	8	9	O	N	D

**Package Outline Dimensions**



SOT-26			
Dim	Min	Max	Typ
A	0.35	0.50	0.38
B	1.50	1.70	1.60
C	2.70	3.00	2.80
D	—	—	0.95
H	2.90	3.10	3.00
J	0.013	0.10	0.05
K	1.00	1.30	1.10
L	0.35	0.55	0.40
M	0.10	0.20	0.15
α	0°	8°	—
All Dimensions in mm			

**Suggested Pad Layout**



Dimensions	Value (in mm)
Z	3.20
G	1.60
X	0.55
Y	0.80
C	2.40
E	0.95

**IMPORTANT NOTICE**

1. DIODES INCORPORATED AND ITS SUBSIDIARIES ("DIODES") MAKE NO WARRANTY OF ANY KIND, EXPRESS OR IMPLIED, WITH REGARDS TO ANY INFORMATION CONTAINED IN THIS DOCUMENT, INCLUDING, BUT NOT LIMITED TO, THE IMPLIED WARRANTIES OF MERCHANTABILITY, FITNESS FOR A PARTICULAR PURPOSE OR NON-INFRINGEMENT OF THIRD PARTY INTELLECTUAL PROPERTY RIGHTS (AND THEIR EQUIVALENTS UNDER THE LAWS OF ANY JURISDICTION).
2. The Information contained herein is for informational purpose only and is provided only to illustrate the operation of Diodes products described herein and application examples. Diodes does not assume any liability arising out of the application or use of this document or any product described herein. This document is intended for skilled and technically trained engineering customers and users who design with Diodes products. Diodes products may be used to facilitate safety-related applications; however, in all instances customers and users are responsible for (a) selecting the appropriate Diodes products for their applications, (b) evaluating the suitability of the Diodes products for their intended applications, (c) ensuring their applications, which incorporate Diodes products, comply the applicable legal and regulatory requirements as well as safety and functional-safety related standards, and (d) ensuring they design with appropriate safeguards (including testing, validation, quality control techniques, redundancy, malfunction prevention, and appropriate treatment for aging degradation) to minimize the risks associated with their applications.
3. Diodes assumes no liability for any application-related information, support, assistance or feedback that may be provided by Diodes from time to time. Any customer or user of this document or products described herein will assume all risks and liabilities associated with such use, and will hold Diodes and all companies whose products are represented herein or on Diodes' websites, harmless against all damages and liabilities.
4. Products described herein may be covered by one or more United States, international or foreign patents and pending patent applications. Product names and markings noted herein may also be covered by one or more United States, international or foreign trademarks and trademark applications. Diodes does not convey any license under any of its intellectual property rights or the rights of any third parties (including third parties whose products and services may be described in this document or on Diodes' website) under this document.
5. Diodes products are provided subject to Diodes' Standard Terms and Conditions of Sale (<https://www.diodes.com/about/company/terms-and-conditions/terms-and-conditions-of-sales/>) or other applicable terms. This document does not alter or expand the applicable warranties provided by Diodes. Diodes does not warrant or accept any liability whatsoever in respect of any products purchased through unauthorized sales channel.
6. Diodes products and technology may not be used for or incorporated into any products or systems whose manufacture, use or sale is prohibited under any applicable laws and regulations. Should customers or users use Diodes products in contravention of any applicable laws or regulations, or for any unintended or unauthorized application, customers and users will (a) be solely responsible for any damages, losses or penalties arising in connection therewith or as a result thereof, and (b) indemnify and hold Diodes and its representatives and agents harmless against any and all claims, damages, expenses, and attorney fees arising out of, directly or indirectly, any claim relating to any noncompliance with the applicable laws and regulations, as well as any unintended or unauthorized application.
7. While efforts have been made to ensure the information contained in this document is accurate, complete and current, it may contain technical inaccuracies, omissions and typographical errors. Diodes does not warrant that information contained in this document is error-free and Diodes is under no obligation to update or otherwise correct this information. Notwithstanding the foregoing, Diodes reserves the right to make modifications, enhancements, improvements, corrections or other changes without further notice to this document and any product described herein. This document is written in English but may be translated into multiple languages for reference. Only the English version of this document is the final and determinative format released by Diodes.
8. Any unauthorized copying, modification, distribution, transmission, display or other use of this document (or any portion hereof) is prohibited. Diodes assumes no responsibility for any losses incurred by the customers or users or any third parties arising from any such unauthorized use.

Copyright © 2021 Diodes Incorporated

[www.diodes.com](http://www.diodes.com)