



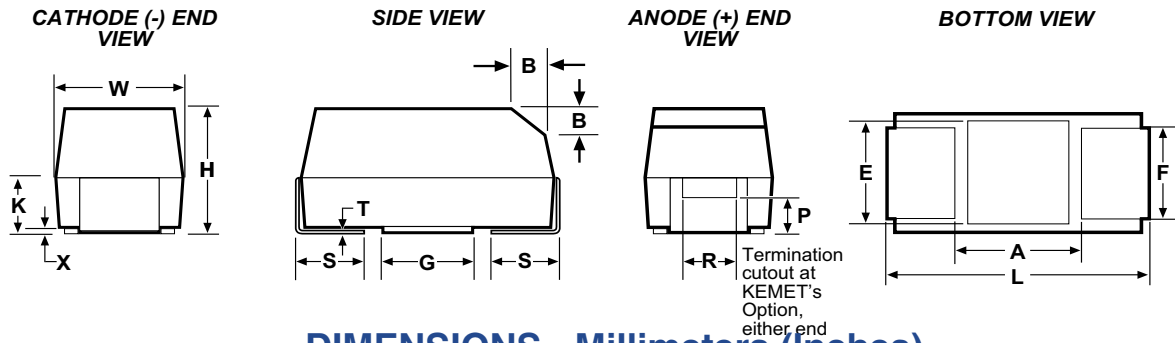
SOLID TANTALUM CHIP CAPACITORS

T510 SERIES—High Capacitance-Low ESR

FEATURES

- Ultra Low ESR < 30 mΩ
- New E/7260 Case with ESR < 18 mΩ
- Up to 5 Amps ripple current
- RoHS Compliant & Leadfree Termination (see www.kemet.com for lead transitions)
- Operating Temperature: -55°C to +125°C
- 100% accelerated steady-state aging
- 100% Surge current test
- Precision - molded, laser-marked case
- Symmetrical compliant terminations
- Taped and reeled per EIA 481-1

OUTLINE DRAWING



DIMENSIONS - Millimeters (Inches)

| CASE SIZE | | COMPONENT | | | | | | | | | | | | | |
|-----------|---------|----------------------------|----------------------------|----------------------------|----------------------|---------------------|---------------------|----------------------------|------------------------------|---------------|---------------|----------------|---------------|---------------|---------------|
| KEMET | EIA | L | W | H | K ± 0.20 ± (.008) | F ± 0.1 ± (.004) | S ± 0.3 ± (.012) | B ± 0.15 (Ref) ± (.006) | X (Ref) | P (Ref) | R (Ref) | T (Ref) | A (Min) | G (Ref) | E (Ref) |
| X | 7343-43 | 7.3 ± 0.3 (.287 ± .012) | 4.3 ± 0.3 (.169 ± .012) | 4.0 ± 0.3 (.157 ± .012) | 2.3 (.091) | 2.4 (.094) | 1.3 (.051) | 0.5 (.020) | 0.10 ± 0.10 (.004 ± .004) | 0.9 (.035) | 1.0 (.039) | 0.13 (.005) | 3.8 (.150) | 3.5 (.138) | 3.5 (.138) |
| E | 7260-38 | 7.3 ± 0.3 (.287 ± .012) | 6.0 ± 0.3 (.236 ± .012) | 3.6 ± 0.2 (.142 ± .008) | 2.3 (.091) | 4.1 (.161) | 1.3 (.051) | 0.5 (.020) | 0.10 ± 0.10 (.004 ± .004) | 0.9 (.035) | 1.0 (.039) | 0.13 (.005) | 3.8 (.150) | 3.5 (.138) | 3.5 (.138) |

Notes: Metric Dimensions govern
(Ref) - Dimensions provided for reference only.

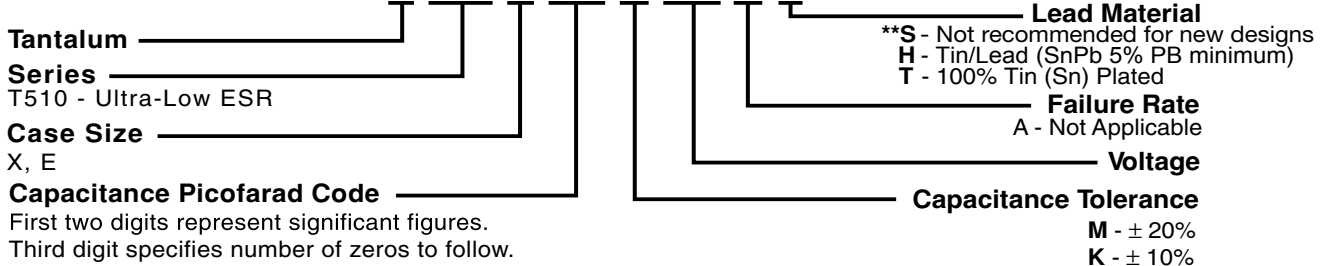
T510 RATINGS & PART NUMBER REFERENCE

| Capacitance μF | Case Size | KEMET Part Number | DC Leakage μA @ 25°C Max | DF % @ 25°C Max | ESR mΩ @ 25°C 100 kHz Max | Ripple Current A rms @ 25°C 100 kHz, max | | |
|---|-----------|------------------------|--------------------------|-----------------|---------------------------|--|------|-------|
| | | | | | | 25°C | 85°C | 125°C |
| 4 Volt Rating at +85°C (2.7 Volt Rating at 125°C) | | | | | | | | |
| 680.0 | X | T510X687(1)004A(2) | 27.2 | 6.0 | 30.0 | 3.0 | 2.7 | 1.2 |
| 1000.0 | X | T510X108(1)004A(2) | 40.0 | 6.0 | 18.0 | 3.9 | 3.5 | 1.5 |
| 1000.0 | E | T510E108(1)004A(2) | 40.0 | 6.0 | 18.0 | 4.0 | 3.6 | 1.6 |
| 1000.0 | E | T510E108(1)004A(2)4115 | 40.0 | 6.0 | 10.0 | 5.3 | 4.8 | 2.1 |
| 6/6.3 Volt Rating at +85°C (4 Volt Rating at 125°C) | | | | | | | | |
| 470.0 | X | T510X477(1)006A(2) | 28.2 | 6.0 | 30.0 | 3.0 | 2.7 | 1.2 |
| 680.0 | E | T510E687(1)006A(2) | 40.8 | 6.0 | 23.0 | 3.5 | 3.2 | 1.4 |
| 680.0 | E | T510E687(1)006A(2)4115 | 40.8 | 6.0 | 12.0 | 4.8 | 4.3 | 1.9 |
| 10 Volt Rating at +85°C (7 Volt Rating at 125°C) | | | | | | | | |
| 330.0 | X | T510X337(1)010A(2) | 33.0 | 6.0 | 35.0 | 2.8 | 2.5 | 1.1 |
| 16 Volt Rating at +85°C (11 Volt Rating at 125°C) | | | | | | | | |
| 150.0 | X | T510X157(1)016A(2) | 24.0 | 6.0 | 40.0 | 2.6 | 2.3 | 1.0 |
| 220.0 | X | T510X227(1)016A(2) | 35.2 | 10.0 | 40.0 | 2.6 | 2.3 | 1.0 |
| 220.0 | X | T510X227(1)016A(2)4115 | 35.2 | 10.0 | 25.0 | 3.3 | 3.0 | 1.3 |
| 20 Volt Rating at +85°C (13.4 Volt Rating at 125°C) | | | | | | | | |
| 100.0 | X | T510X107(1)020A(2) | 20.0 | 6.0 | 40.0 | 2.6 | 2.3 | 1.0 |
| 25 Volt Rating at +85°C (17 Volt Rating at 125°C) | | | | | | | | |
| 100.0 | E | T510E107(1)025A(2) | 25.0 | 8.0 | 50.0 | 2.4 | 2.1 | 1.0 |
| 35 Volt Rating at +85°C (23 Volt Rating at 125°C) | | | | | | | | |
| 22.0 | X | T510X226(1)035A(2) | 7.7 | 6.0 | 80.0 | 1.8 | 1.7 | 0.7 |
| 33.0 | X | T510X336(1)035A(2) | 11.6 | 6.0 | 65.0 | 2.0 | 1.8 | 0.8 |
| 33.0 | X | T510X336(1)035A(2)4115 | 11.6 | 6.0 | 50.0 | 2.3 | 2.1 | 0.9 |
| 47.0 | X | T510X476(1)035A(2) | 16.5 | 8.0 | 55.0 | 2.2 | 2.0 | 0.9 |
| 47.0 | E | T510E476(1)035A(2) | 16.5 | 8.0 | 50.0 | 2.4 | 2.1 | 1.0 |
| 50 Volt Rating at +85°C (33 Volt Rating at 125°C) | | | | | | | | |
| 10.0 | X | T510X106(1)050A(2) | 5.0 | 8.0 | 120.0 | 1.5 | 1.3 | 0.6 |
| 10.0 | X | T510X106(1)050A(2) | 5.0 | 8.0 | 90.0 | 1.7 | 1.6 | 0.7 |

(1) To complete KEMET part number insert "K" - ±10% or "M" - ±20% capacitance tolerance. (2) To complete KEMET part number, insert H (SnPb) or T 100% tin.

T510 ORDERING INFORMATION

T 510 X 477 M 006 A S



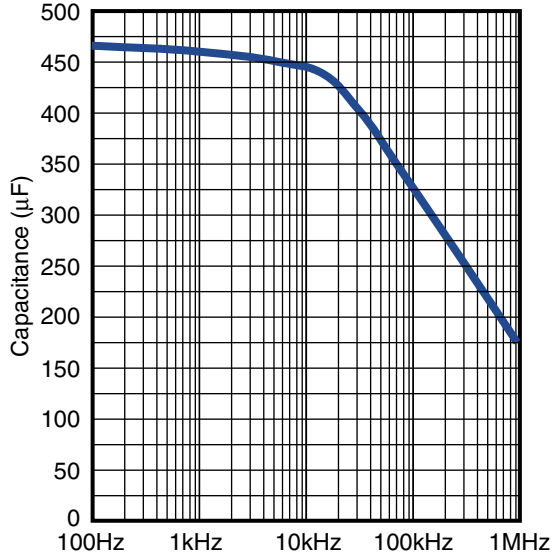
*Part number example: T510X477M006AT (14 digits - no spaces). See www.kemet.com for Pb Free transition.
 ** "S" Termination codes are converting from 90 Sn/10 Pb to 100% tin finishes. Orders including "S" suffix termination codes do not guarantee Pb-free product.

SOLID TANTALUM CHIP CAPACITORS

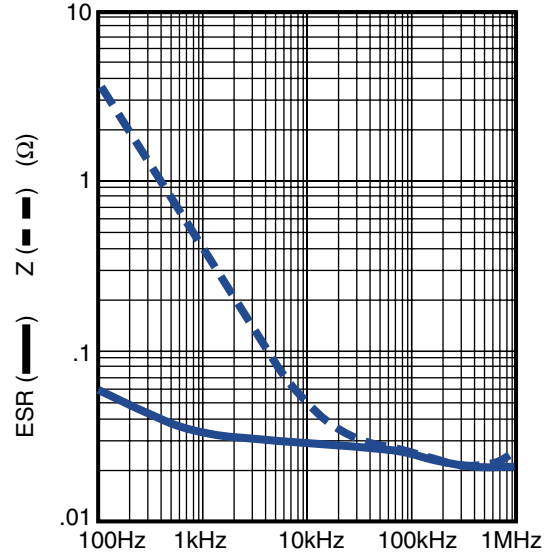
T510 SERIES—High Capacitance



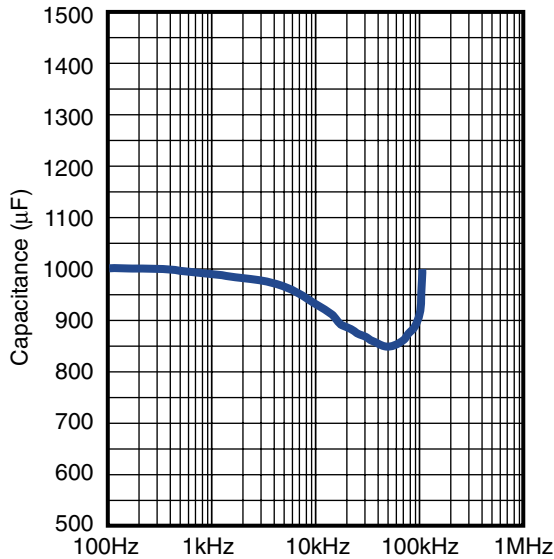
TYPICAL CAP FREQUENCY SCAN @25°C
T510X477M006AS



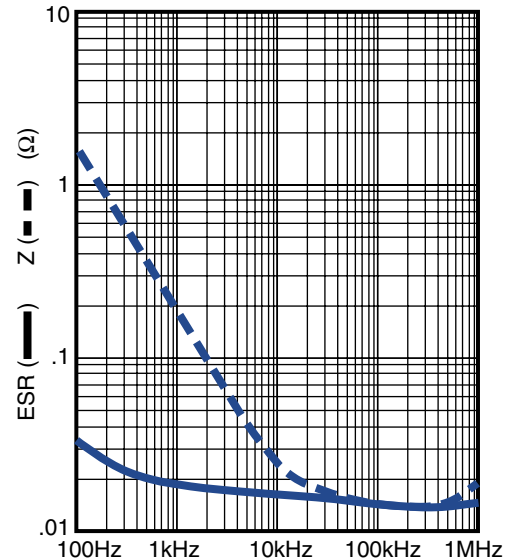
TYPICAL ESR/Z FREQUENCY SCAN @25°C
T510X477M006AS



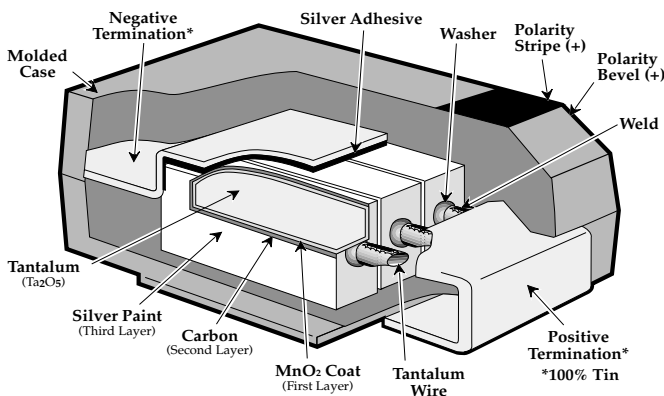
TYPICAL CAP FREQUENCY SCAN @ 25°C
T510E108M004AS



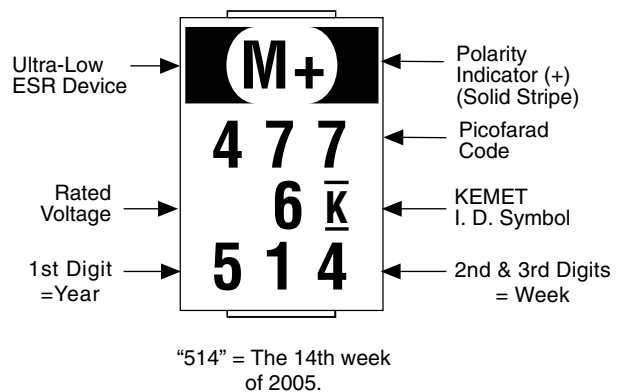
TYPICAL ESR/Z FREQUENCY SCAN @ 25°C
T510E108M004AS



T510X SERIES CONSTRUCTION



T510 CAPACITOR MARKINGS



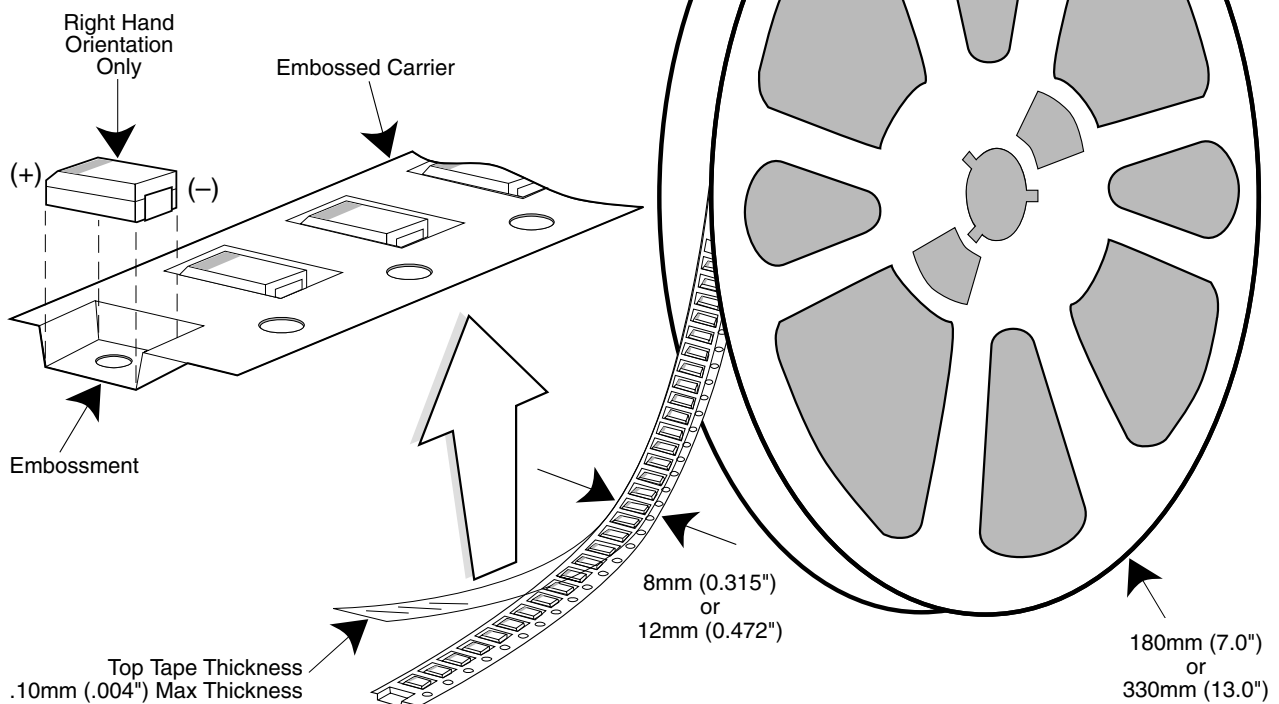
TANTALUM AND ALUMINUM CHIP CAPACITORS

Packaging Information



Tape & Reel Packaging

KEMET's Molded Tantalum and Aluminum Chip Capacitor families are packaged in 8 mm and 12 mm plastic tape on 7" and 13" reels, in accordance with EIA Standard 481-1: Taping of Surface Mount Components for Automatic Handling. This packaging system is compatible with all tape fed automatic pick and place systems.



Labeling: Bar code labeling (standard or custom) shall be on the side of the reel opposite the sprocket holes. Refer to EIA-556.

QUANTITIES PACKAGED PER REEL

| Case Code | | Tape Width-mm | 7" Reel* | 13" Reel* |
|-----------|---------|---------------|----------|-----------|
| KEMET | EIA | | | |
| R | 2012-12 | 8 | 2,500 | 10,000 |
| S | 3216-12 | 8 | 2,500 | 10,000 |
| T | 3528-12 | 8 | 2,500 | 10,000 |
| U | 6032-15 | 12 | 1,000 | 5,000 |
| W | 7343-15 | 12 | 1,000 | 3,000 |
| V | 7343-20 | 12 | 1,000 | 3,000 |
| A | 3216-18 | 8 | 2,000 | 9,000 |
| B | 3528-21 | 8 | 2,000 | 8,000 |
| C | 6032-28 | 12 | 500 | 3,000 |
| D | 7343-31 | 12 | 500 | 2,500 |
| Y | 7343-40 | 12 | 500 | 2,000 |
| X | 7343-43 | 12 | 500 | 2,000 |
| E | 7260-38 | 12 | 500 | 2,000 |

* No c-spec required for 7" reel packaging. C-7280 required for 13" reel packaging.

TANTALUM, CERAMIC AND ALUMINUM CHIP CAPACITORS



Packaging Information

Performance Notes

- Cover Tape Break Force:** 1.0 Kg Minimum.
- Cover Tape Peel Strength:** The total peel strength of the cover tape from the carrier tape shall be:

| Tape Width | Peel Strength |
|------------|--|
| 8 mm | 0.1 Newton to 1.0 Newton (10g to 100g) |
| 12 mm | 0.1 Newton to 1.3 Newton (10g to 130g) |

The direction of the pull shall be opposite the direction of the carrier tape travel. The pull angle of the carrier tape shall be 165° to 180° from the plane of the carrier tape. During peeling, the carrier and/or cover tape shall be pulled at a velocity of 300 ±10 mm/minute.

- Reel Sizes:** Molded tantalum capacitors are available on either 180 mm (7") reels (standard) or 330 mm (13") reels (with C-7280). Note that 13" reels are preferred.
- Labeling:** Bar code labeling (standard or custom) shall be on the side of the reel opposite the sprocket holes. Refer to EIA-556.

Embossed Carrier Tape Configuration: Figure 1

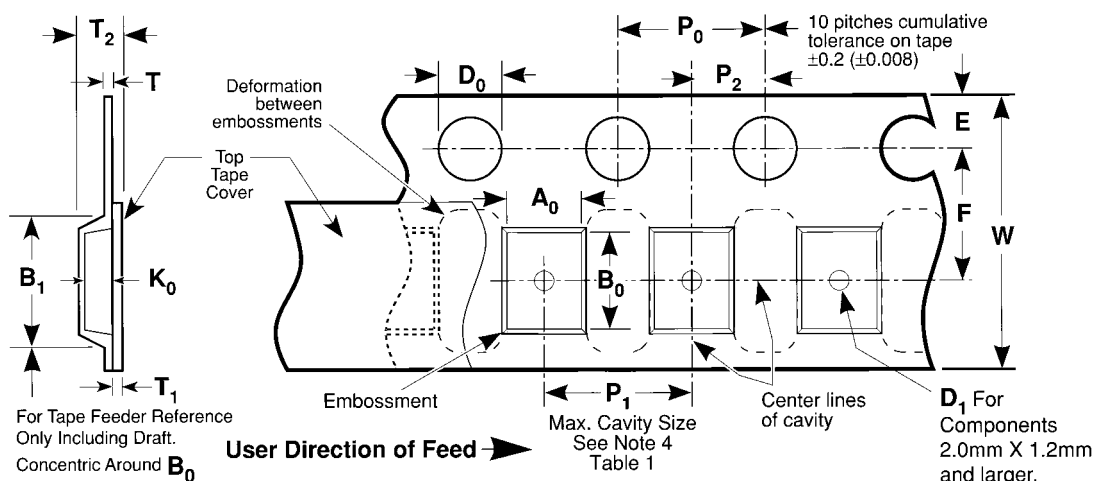


Table 1 — EMBOSSED TAPE DIMENSIONS (Metric will govern)

| Constant Dimensions — Millimeters (Inches) | | | | | | | | | |
|--|--|-------------------------------|-------------------------------|-----------------------------|-----------------------------|--------------------|--------------------|------------------------------|--|
| Tape Size | D ₀ | E | P ₀ | P ₂ | T Max | T ₁ Max | | | |
| 8 mm and 12 mm | 1.5 +0.10 -0.0 (0.059 +0.004, -0.0) | 1.75 ±0.10 (0.069 ±0.004) | 4.0 ±0.10 (0.157 ±0.004) | 2.0 ±0.05 (0.079 ±0.002) | 0.600 (0.024) | 0.100 (0.004) | | | |
| Variable Dimensions — Millimeters (Inches) | | | | | | | | | |
| Tape Size | Pitch | B ₁ Max. Note 1 | D ₁ Min. Note 2 | F | P ₁ | R Min. Note 3 | T ₂ Max | W | A ₀ B ₀ K ₀ Note 4 |
| 8 mm | Single (4 mm) | 4.4 (0.173) | 1.0 (0.039) | 3.5 ±0.05 (0.138 ±0.002) | 4.0 ±0.10 (0.157 ±0.004) | 25.0 (0.984) | 2.5 (0.098) | 8.0 ±0.30 (.315 ±0.012) | |
| 12 mm | Double (8 mm) | 8.2 (0.323) | 1.5 (0.059) | 5.5 ±0.05 (0.217 ±0.002) | 8.0 ±0.10 (0.315 ±0.004) | 30.0 (1.181) | 4.6 (0.181) | 12.0 ±0.30 (0.472 ±0.012) | |

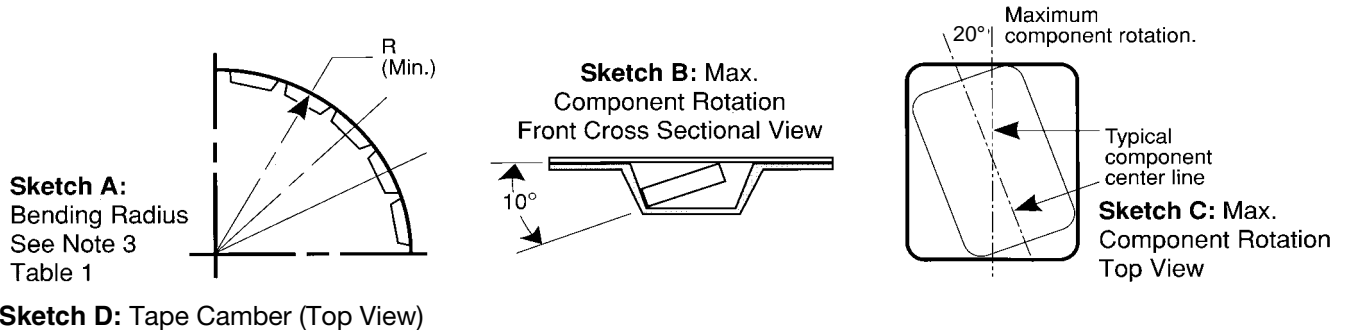
NOTES

- B₁ dimension is a reference dimension for tape feeder clearance only.
- The embossment hole location shall be measured from the sprocket hole controlling the location of the embossment. Dimensions of embossment location and hole location shall be applied independent of each other.
- Tape with components shall pass around radius "R" without damage (see sketch A). The minimum trailer length (Fig. 2) may require additional length to provide R min. for 12 mm embossed tape for reels with hub diameters approaching N min. (Table 2)
- The cavity defined by A₀, B₀, and K₀ shall be configured to surround the part with sufficient clearance such that the chip does not protrude beyond the sealing plane of the cover tape, the chip can be removed from the cavity in a vertical direction without mechanical restriction, rotation of the chip is limited to 20 degrees maximum in all 3 planes, and lateral movement of the chip is restricted to 0.5 mm maximum in the pocket (not applicable to vertical clearance.)

TANTALUM, CERAMIC AND ALUMINUM CHIP CAPACITORS

Packaging Information

Embossed Carrier Tape Configuration (cont.)



Sketch D: Tape Camber (Top View)

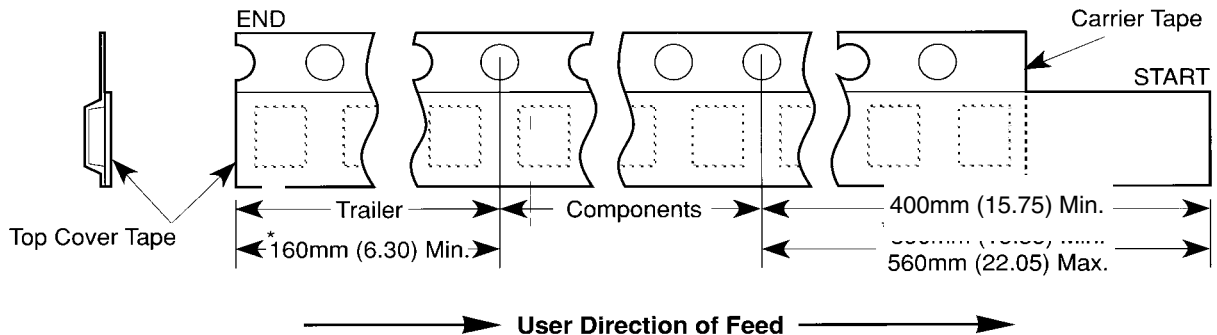
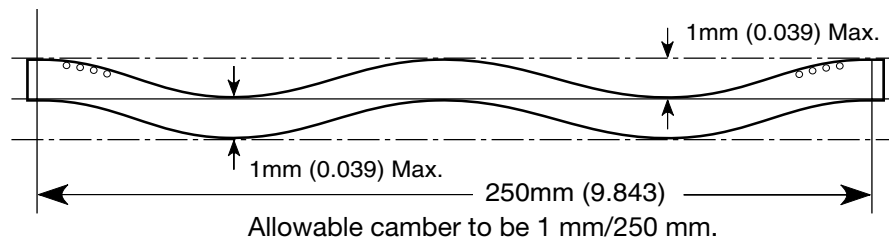


Figure 2: Tape Leader & Trailer Dimensions (Metric Dimensions Will Govern)

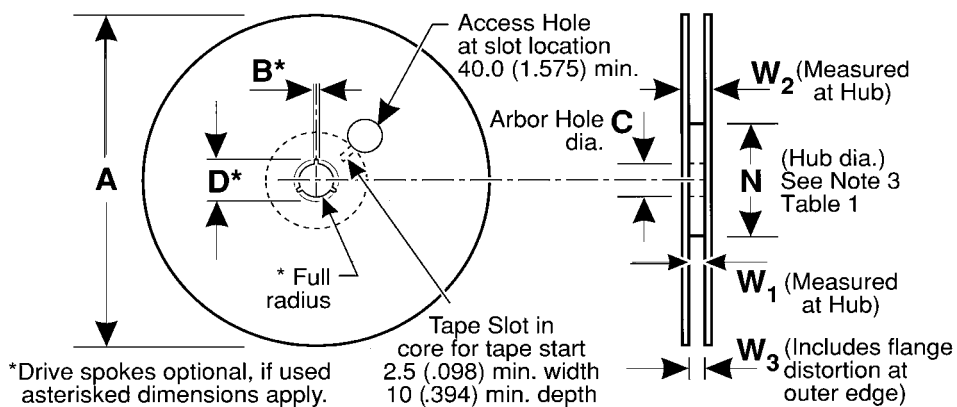


Figure 3: Reel Dimensions (Metric Dimensions will govern)

Table 2 – REEL DIMENSIONS (Metric will govern)

| Tape Size | A Max | B* Min | C | D* Min | N Min | W ₁ | W ₂ Max | W ₃ |
|-----------|-------------------|----------------|--------------------------------|-----------------|-------------------------------|---|--------------------|--|
| 8 mm | 330.0 (12.992) | 1.5 (0.059) | 13.0 ± 0.20 (0.512 ± 0.008) | 20.2 (0.795) | 50.0 (1.969) See Note 3 | 8.4 +1.5, -0.0 (0.331) +0.059, -0.0 | 14.4 (0.567) | 7.9 Min (0.311) 10.9 Max (0.429) |
| 12 mm | 330.0 (12.992) | 1.5 (0.059) | 13.0 ± 0.20 (0.512 ± 0.008) | 20.2 (0.795) | Table 1 | 12.4 +2.0, -0.0 (0.488) +0.078, -0.0 | 18.4 (0.724) | 11.9 Min (0.469) 15.4 Max (0.606) |